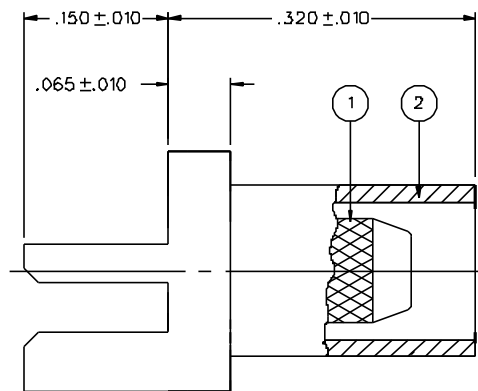
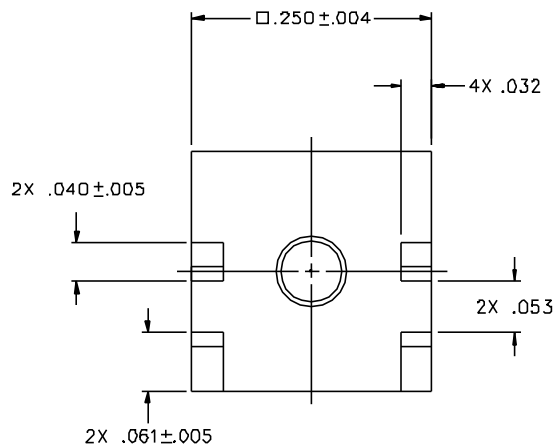
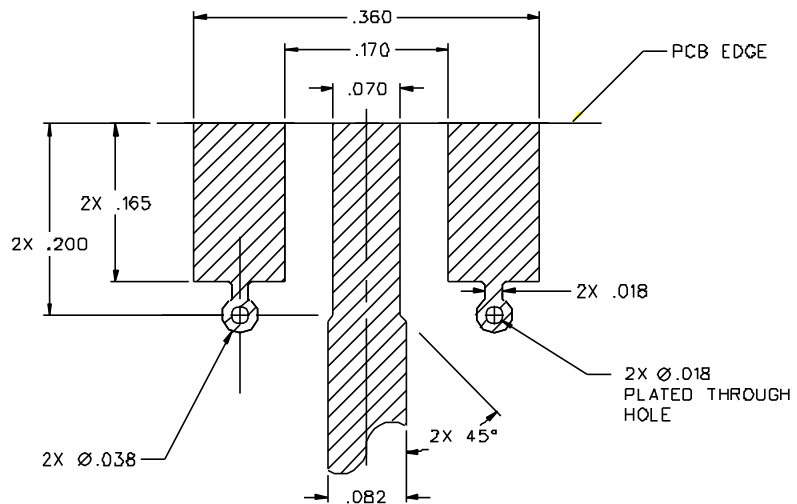


PART NUMBER	ITEM ① BODY	ITEM ② CRIMP SLEEVE
142-0004-B11	BRASS GOLD PL .00001 MIN OVER NICKEL PL .00005 MIN OVER COPPER PL .00005 MIN	COPPER GOLD PL .00001 MIN OVER NICKEL PL .00005 MIN OVER COPPER PL .00005 MIN
142-0004-B16	BRASS NICKEL PL .0001 MIN OVER COPPER PL .00005 MIN	COPPER NICKEL PL .0001 MIN OVER COPPER PL .00005 MIN

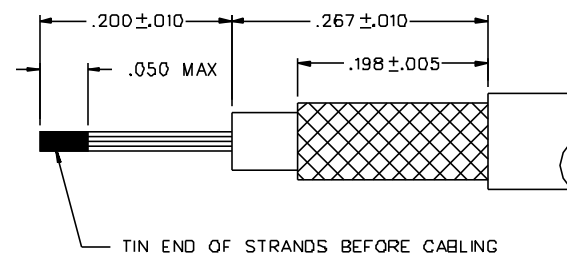
DRAWING NO. C - 142-0004-811/820	
0	REVISIONS
ENGINEERING RELEASE	
1	8-26-98 R H K T R ECN 45825



DIMENSIONS ARE SYMMETRICAL ABOUT THE CENTERLINE



TRACE WIDTH DIMENSIONS



CABLE STRIP DIMENSIONS

CUSTOMER DRAWING

THIS DRAWING TO BE INTERPRETED
PER ANSI Y 14.5M - 1982

"μSTATION"

COMPANY CONFIDENTIAL

NOTES:

1. SPECIFICATIONS:

CABLE ACCEPTABILITY: RG 316/U DOUBLE SHIELDED
RG 188/U DOUBLE SHIELDED
RG 179/U DOUBLE SHIELDED
RG 187/U DOUBLE SHIELDED

CABLE HEX CRIMP SIZE: .151
CABLE RETENTION: 20 LBS
IMPEDANCE: 50 OHMS

TOLERANCE UNLESS OTHERWISE SPECIFIED	DRAWN BY	DATE	JOHNSON <small>Cinch Connectivity Solutions</small>
DECIMALS	KAS	5/19/98	
.XX	CHECKED BY	DATE	TITLE CABLE TERMINATION, .053 END LAUNCH, RG 316 DOUBLE SHIELD
.XXX+- .003	KAS	8-27-98	
MATL	APPROVED BY	DATE	CODE NO. C - 142-0004-811/820
FINISH	TAK	9-9-98	
	APPROVED BY	DATE	SCALE 10:1 U/M INCH SHEET 2 OF 2
	RJB	9-11-98	
	RELEASE DATE		