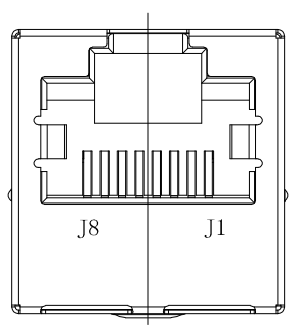
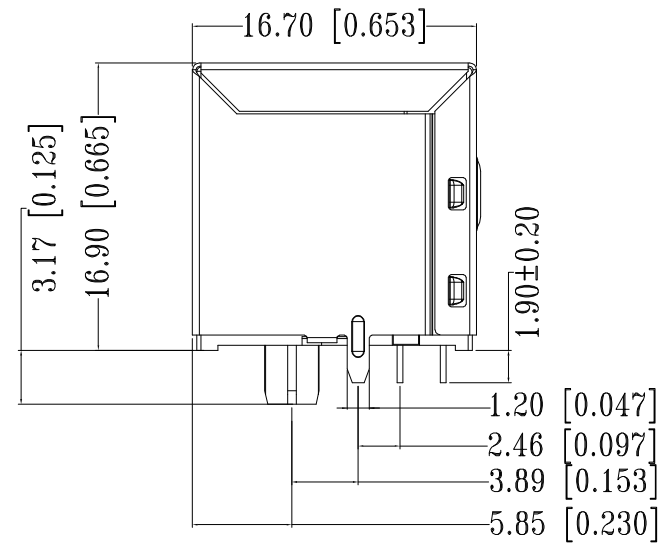
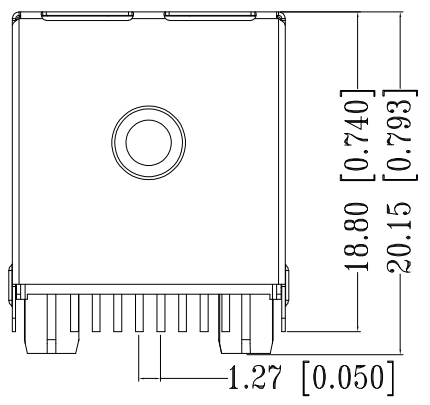
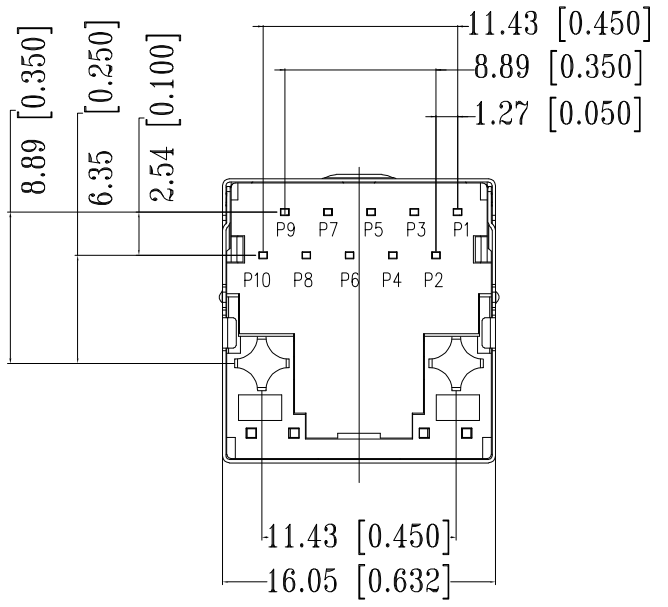
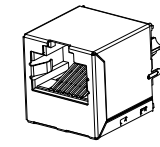


THIS DRAWING IS UNPUBLISHED
 RELEASED FOR PUBLICATION
 - ,2017.
 © COPYRIGHT - 2017 by TE Connectivity Germany GmbH
 ALL RIGHTS RESERVED.

REVISIONS				
P	LTR	DESCRIPTION	DATE	APVD
	A1	NEW RELEASE	09MAR2017	GCM/MSZ



- △ CONNECTOR MATERIAL:
 HOUSING: LCP BLACK UL94 V-0
 INSERT: LCP BLACK UL94 V-0
 SHIELD: BRASS
 SHIELD PLATING: NICKEL
 CONTACT: COPPER ALLOY
 CONTACT PLATING: SELECTIVE GOLD, MIN. 0.76µm (30µinch) IN CONTACT AREA
 OVER MIN. 1.27µm (50µinch) NICKEL
 SOLDER PIN PLATING: 3.05µm (120µinch) TIN OVER 1.02µm (40µinch)
 NICKEL OVER ALL
 SHIELDING PIN PLATING: NICKEL
- 2 PIN NOT ELECTRICALLY CONNECTED MAYBE OMITTED SEE ELECTRICAL CIRCUIT DIAGRAM FOR OMITTED PINS
- 3 RJ45 CAVITIES CONFORM TO FCC RULES AND REGULATION PART 68
- 4 THE PART IS RECOMMENDED FOR REFLOW SOLDERING PROCESS PEAK
 SOLDERING: TEMPERATURE MAX. +260° C, MAX. 10s
- 5 OPERATING TEMPERATURE: T= -40° C TO +85° C
- 6 STORAGE TEMPERATURE: T= -40° C TO +85° C
- △ UNLESS OTHERWISE SPECIFIED, SEE TABLE FOR ALL DIMENSIONS TOLERANCES
- 8 JACK CONFIGURATION: 1 x 1
 TAB DIRECTION: UP
- 9 PACKAGING: TRAY ACCORDING TO PACKAGING SPECIFICATION 107-18116



1:1

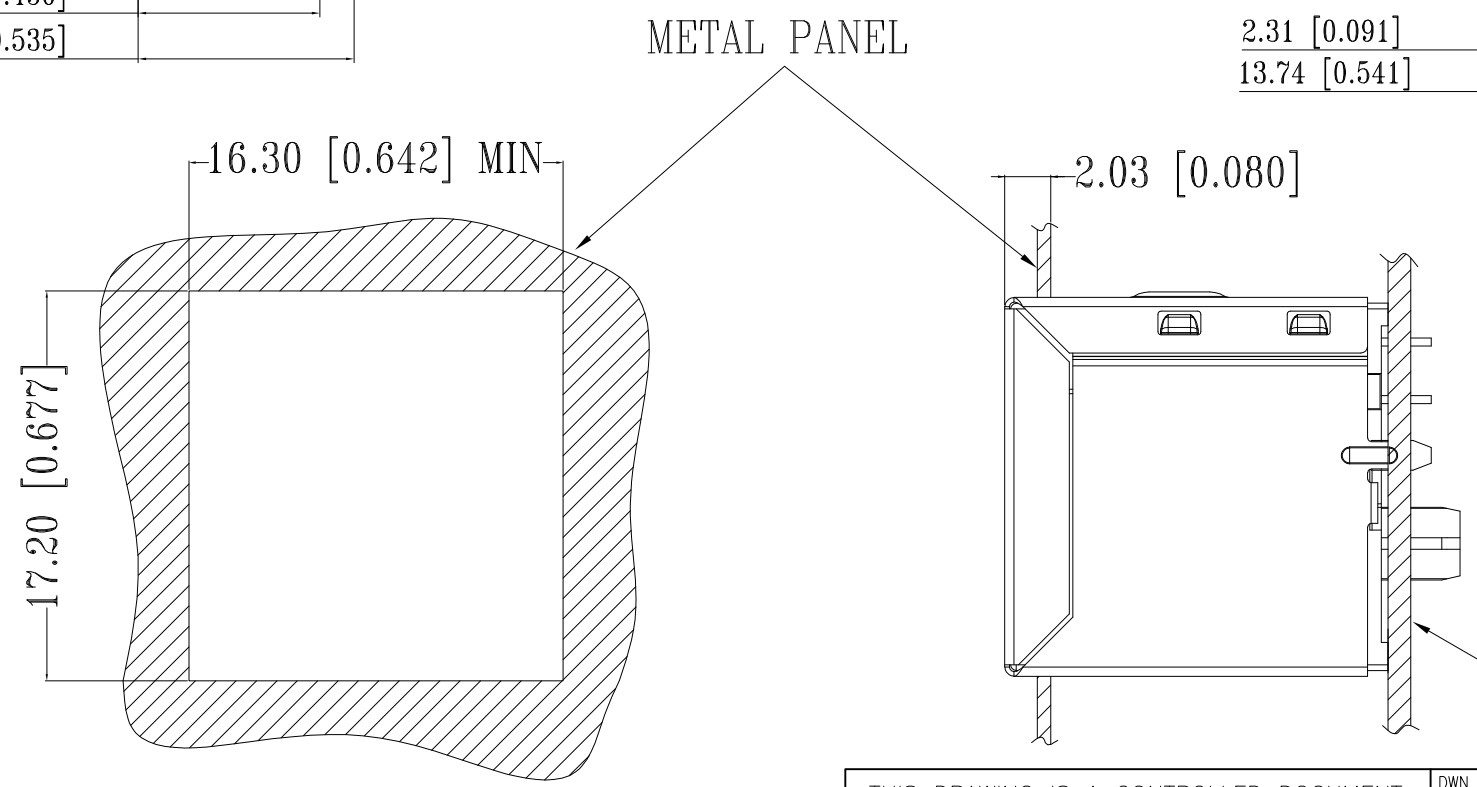
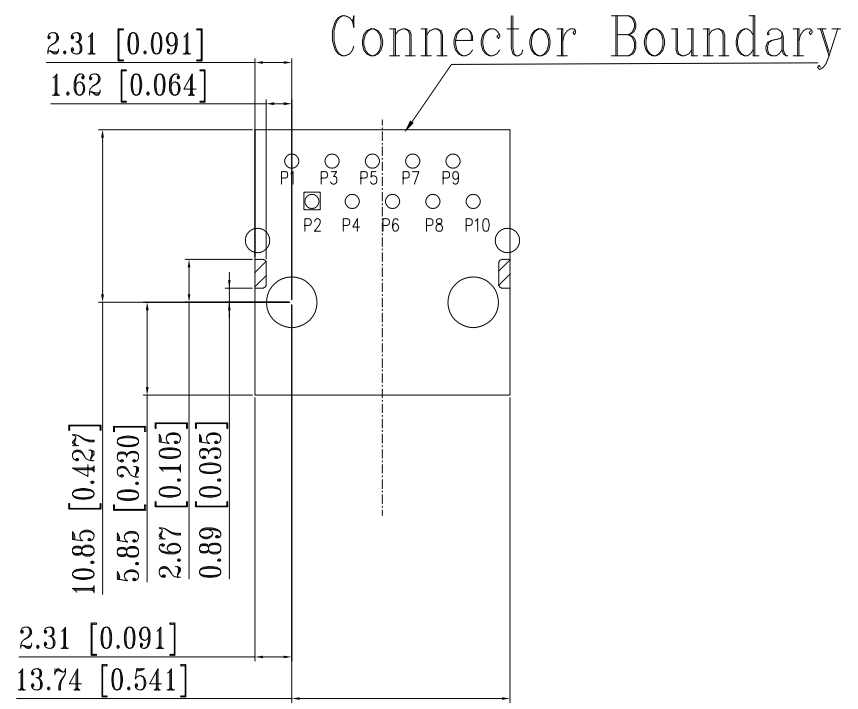
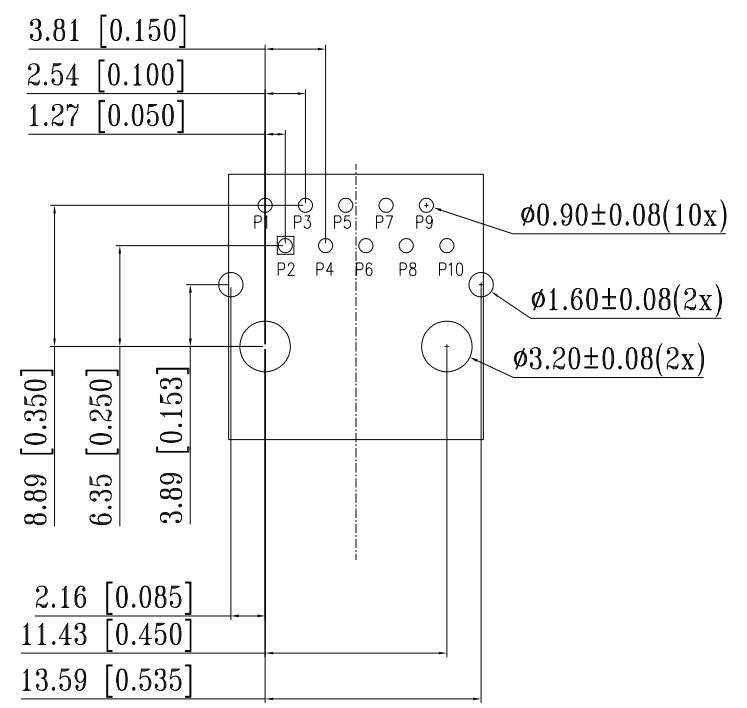
TABLE OF TOLERANCE (mm)	
RANGE	TOLERANCE
0-10	±0.15
>10-40	±0.25
>40-70	±0.30
>70	±0.40

THIS DRAWING IS A CONTROLLED DOCUMENT.		DWN 27AUG2016 GANESH C M	TE Connectivity	
DIMENSIONS: mm [INCHES]		CHK 27AUG2016 FRANZ MUELLER		
TOLERANCES UNLESS OTHERWISE SPECIFIED: 0 PLC ± - 1 PLC ± - 2 PLC ± - 3 PLC ± - 4 PLC ± - ANGLES ± -		APVD 27AUG2016 MARTIN SZELAG	NAME RJ45 JACK INT.MAG. 1Gb 1x1 VERT	
		PRODUCT SPEC 108-94552	RESTRICTED TO	
MATERIAL △ 1		FINISH △ 1	APPLICATION SPEC 114-94447	SIZE A3
		WEIGHT -	CAGE CODE 00779	DRAWING NO C-5-2301995-1
		CUSTOMER DRAWING		SCALE 3:1
				SHEET 1 OF 3
				REV A1

THIS DRAWING IS UNPUBLISHED
 RELEASED FOR PUBLICATION - ,2017.
 © COPYRIGHT - 2017 by TE Connectivity Germany GmbH ALL RIGHTS RESERVED.

REVISIONS					
P	LTR	DESCRIPTION	DATE	DWN	APVD
-	-	SEE SHEET 1	-	-	-

SUGGESTED PCB LAYOUT



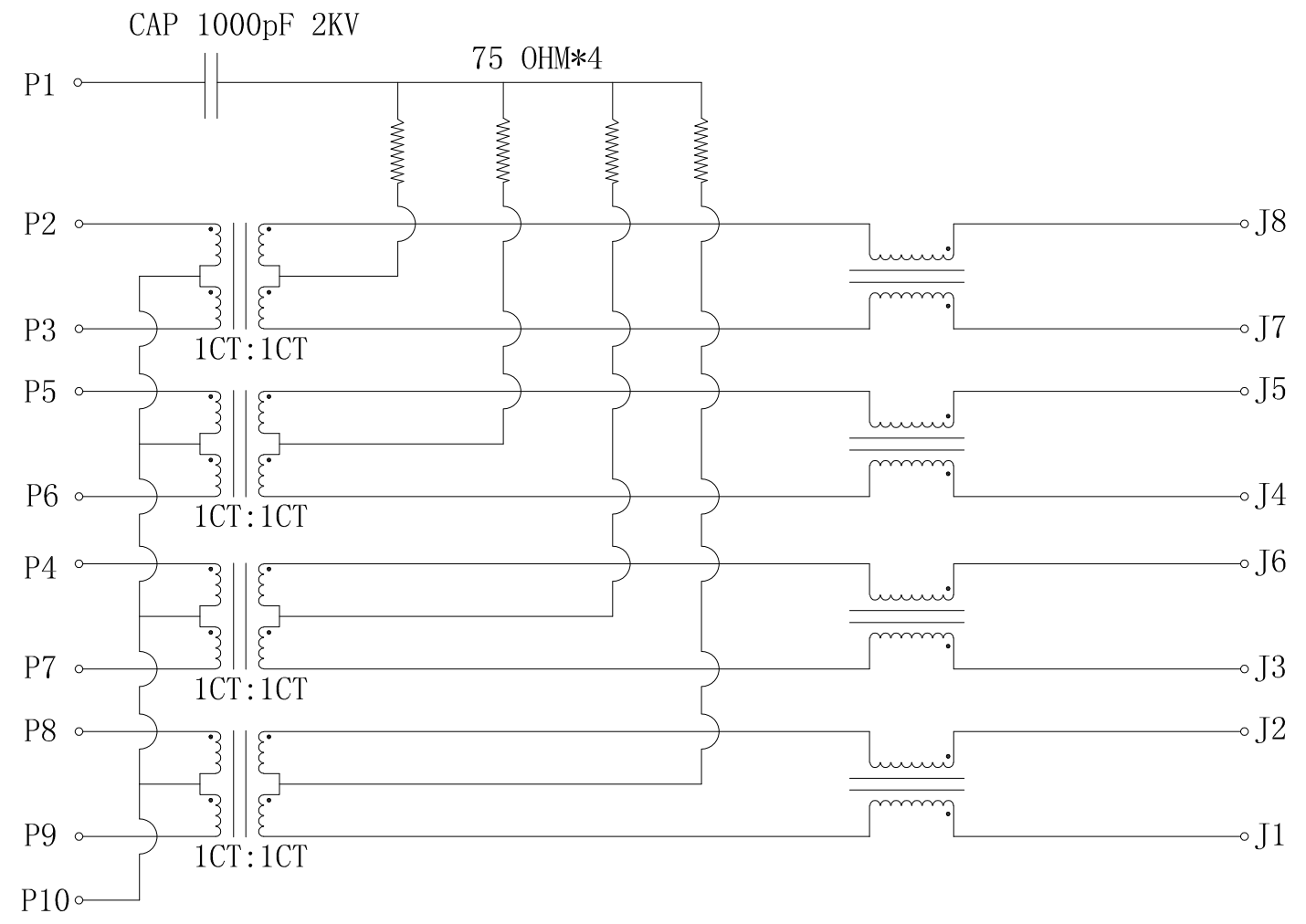
UNIT: mm / inch
 TOLERANCES: $\pm 0.10 / 0.004$

THIS DRAWING IS A CONTROLLED DOCUMENT.		DWN GANESH C M 27AUG2016	TE Connectivity NAME RJ45 JACK INT.MAG. 1Gb 1x1 VERT																	
DIMENSIONS: mm [INCHES]		CHK FRANZ MUELLER 27AUG2016																		
TOLERANCES UNLESS OTHERWISE SPECIFIED:		APVD MARTIN SZELAG 27AUG2016	PRODUCT SPEC 108-94552																	
<table border="0"> <tr> <td>0 PLC</td> <td>$\pm -$</td> <td rowspan="5"> </td> </tr> <tr> <td>1 PLC</td> <td>$\pm -$</td> </tr> <tr> <td>2 PLC</td> <td>$\pm -$</td> </tr> <tr> <td>3 PLC</td> <td>$\pm -$</td> </tr> <tr> <td>4 PLC</td> <td>$\pm -$</td> </tr> <tr> <td>ANGLES</td> <td>$\pm -$</td> <td></td> </tr> </table>		0 PLC	$\pm -$		1 PLC	$\pm -$	2 PLC	$\pm -$	3 PLC	$\pm -$	4 PLC	$\pm -$	ANGLES	$\pm -$		APPLICATION SPEC 114-94447	SIZE A3	CAGE CODE 00779	DRAWING NO C-5-2301995-1	RESTRICTED TO -
0 PLC	$\pm -$																			
1 PLC	$\pm -$																			
2 PLC	$\pm -$																			
3 PLC	$\pm -$																			
4 PLC	$\pm -$																			
ANGLES	$\pm -$																			
MATERIAL 		FINISH 	WEIGHT 0	SCALE 3:1		SHEET 2 OF 3	REV A1													
CUSTOMER DRAWING																				

THIS DRAWING IS UNPUBLISHED
 RELEASED FOR PUBLICATION - ,2017.
 © COPYRIGHT - 2017 by TE Connectivity Germany GmbH ALL RIGHTS RESERVED.

REVISIONS					
P	LTR	DESCRIPTION	DATE	DWN	APVD
-	-	SEE SHEET 1	-	-	-

ELECTRICAL CIRCUIT DIAGRAM



- 1.0 Turn Ratio @100KHz: (P9~P8):(J1~J2) = 1:1±2%
 (P7~P4):(J3~J6) = 1:1±2%
 (P6~P5):(J4~J5) = 1:1±2%
 (P3~P2):(J7~J8) = 1:1±2%
- 2.0 Primary Inductance: 350uH MIN @100KHZ,0.1V 8mA DC BIAS
- 3.0 DC Resistance: 1.2 OHMS MAX
- 4.0 Insertion Loss: 1-100MHz -1.0dB MAX
 100-125MHz -1.2dB MAX
- 5.0 Return Loss: 1-40MHz -16dB MIN
 40-60MHz -12dB MIN
 60-80MHz -10dB MIN
 80-100MHz -8dB MIN
- 6.0 CROSS TALK: 1-100MHz -30dB MIN
- 7.0 COMMON TO COMMON MODE ATTENUATION: 1-100MHz -30dB MIN
- 8.0 Isolation: PHY Side to Line Side: 2250VDC

5-2301995-1
 WWYY-xxxx

TE

FCC

CONTROL CODE
 DATE CODE
 "0213"

YY-YEAR
 WW-WEEK

THIS DRAWING IS A CONTROLLED DOCUMENT.		DWN GANESH C M 27AUG2016	TE Connectivity RJ45 JACK INT.MAG. 1Gb 1x1 VERT		
DIMENSIONS: mm [INCHES]		CHK FRANZ MUELLER 27AUG2016			
TOLERANCES UNLESS OTHERWISE SPECIFIED:		APVD MARTIN SZELAG 27AUG2016	NAME		
0 PLC ± - 1 PLC ± - 2 PLC ± - 3 PLC ± - 4 PLC ± - ANGLES ± -		PRODUCT SPEC 108-94552	SIZE		
MATERIAL		APPLICATION SPEC 114-94447	CAGE CODE A300779	DRAWING NO C-5-2301995-1	RESTRICTED TO
FINISH		WEIGHT 0	SCALE 3:1		
CUSTOMER DRAWING		SHEET 3 OF 3		REV A1	