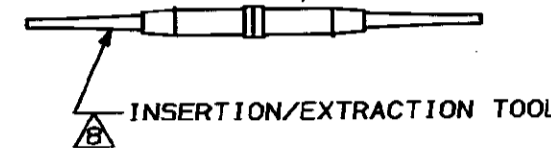
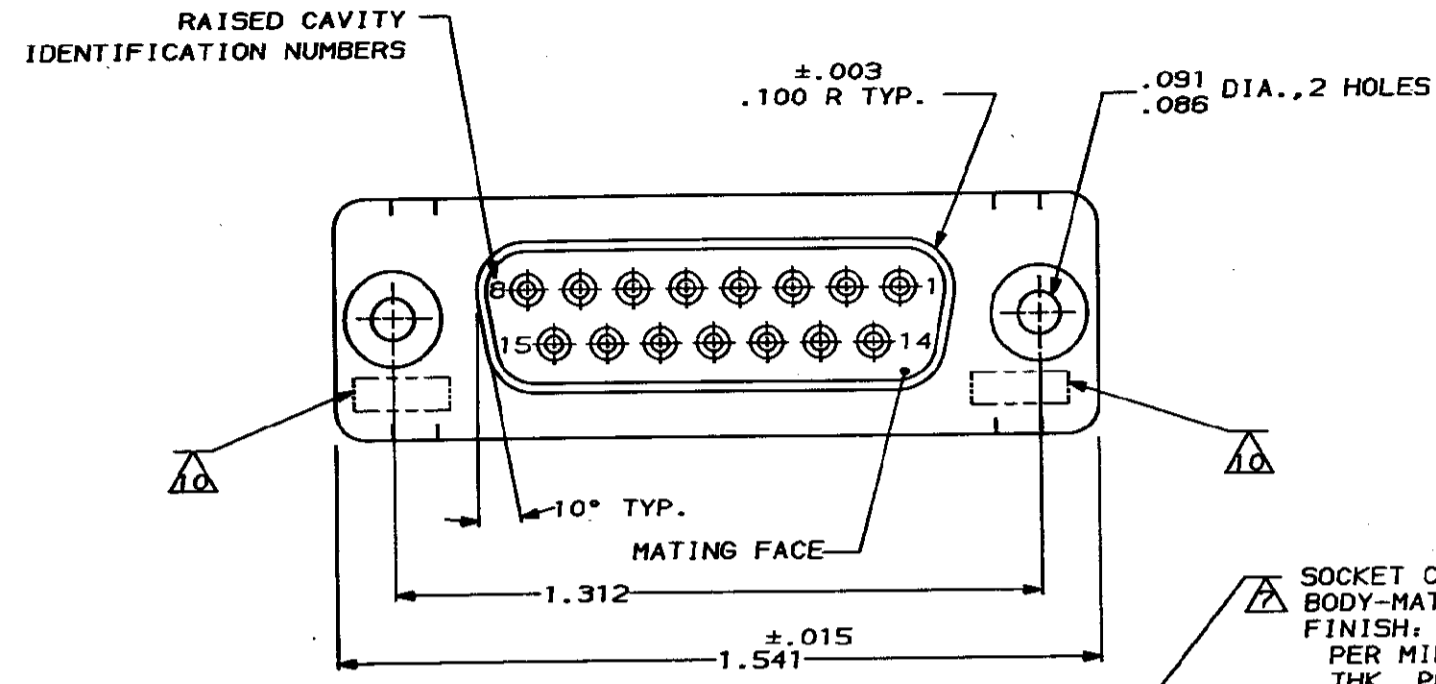
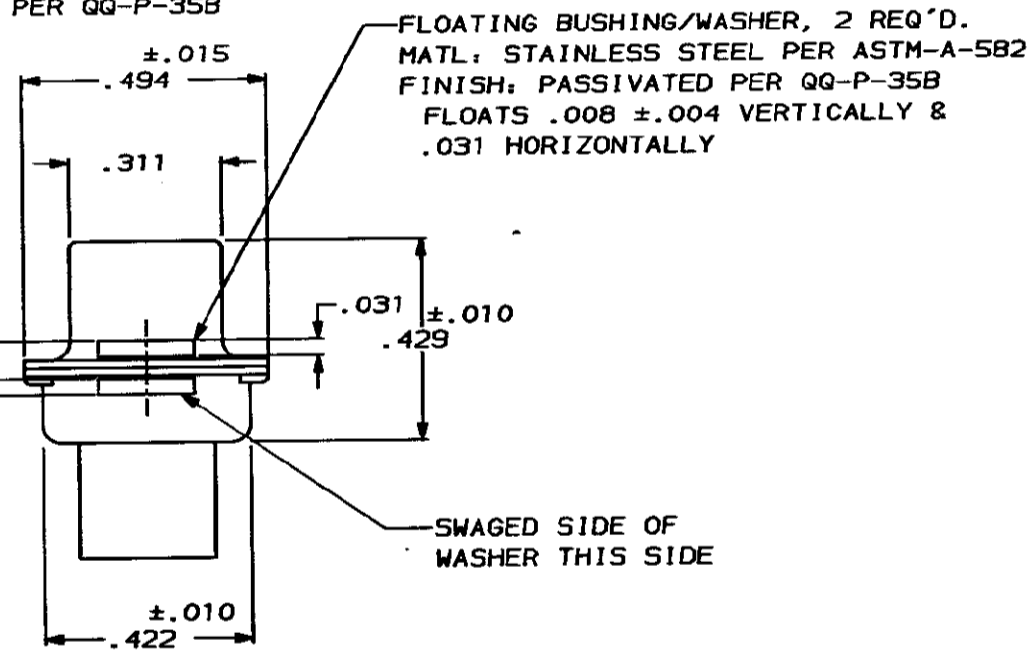
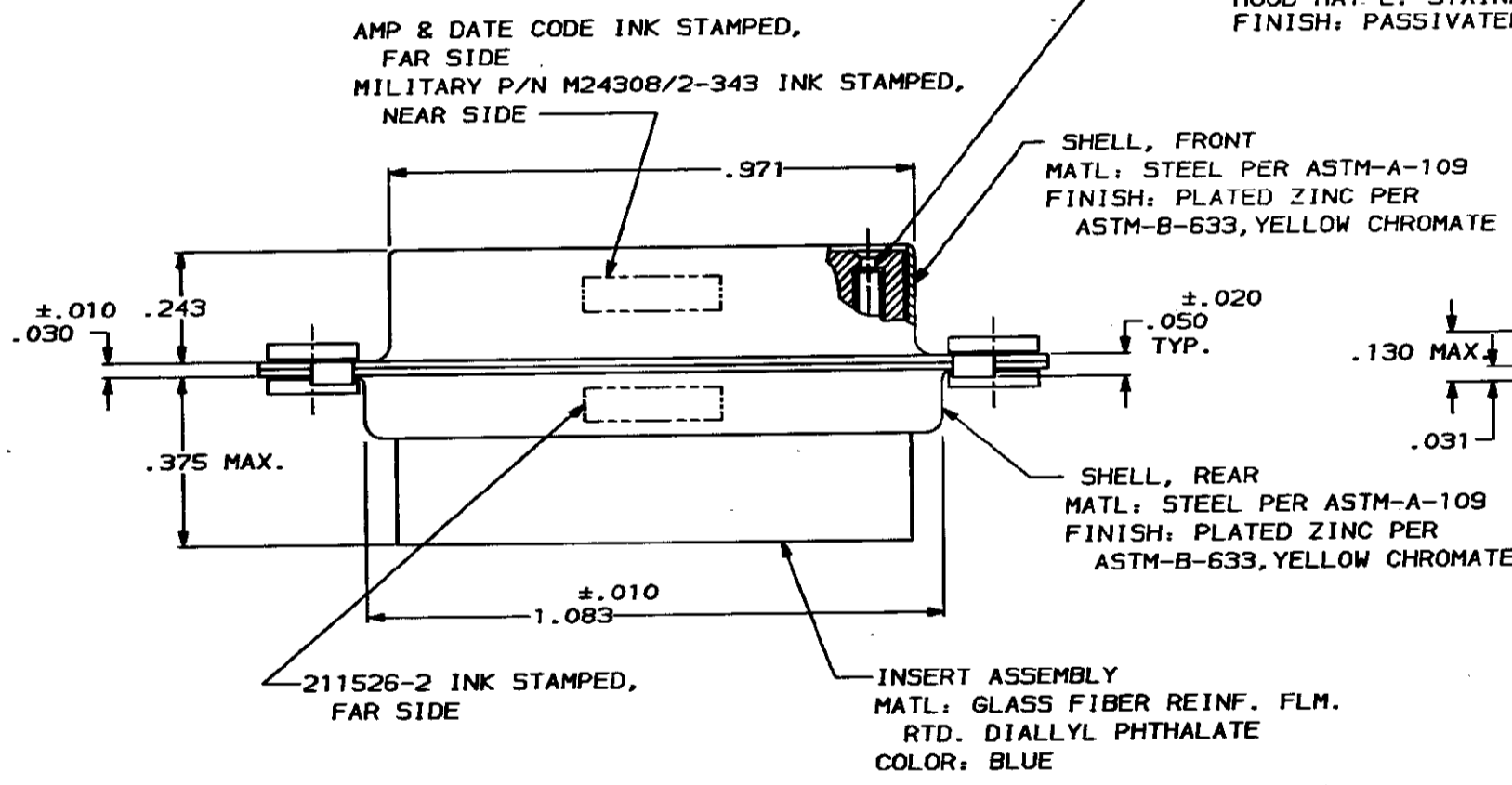


PRG	LOC	DTST	REV	ZONE	LTR	DESCRIPTION	DATE	APPD
5066	DF	DO				0 RELEASED	7/1/85	DE
						A REV-ECN DF-1034	MC	2-10-88



SOCKET CONTACT, SIZE 20, 15 REQD.
BODY-MATL: BERYLLIUM COPPER PER QQ-C-530
FINISH: PLATED GOLD .000050 MIN. THK.
PER MIL-G-45204 OVER COPPER .000100 MIN. THK. PER MIL-C-14550
HOOD-MAT'L: STAINLESS STEEL PER QQ-S-766
FINISH: PASSIVATED PER QQ-P-35B



1. THIS RECEPTACLE WILL MATE WITH ANY 15 POSN., SIZE 2 PLUG IN AMPLIMITE SERIES.
2. MAXIMUM WIRE INSULATION TO BE USED WITH THIS RECEPTACLE IS .068 DIA.
3. SST RETENTION CLIPS ARE INCLUDED IN INSERTS.

- ⚠ PACKAGE STAMPED M24308/2-483 & AMP P/N 211526-1
- ⚠ PACKAGE STAMPED M24308/2-343 & AMP P/N 211526-2
- ⚠ PACKAGE STAMPED M24308/2-354 & AMP P/N 211526-3
- ⚠ AMP P/N 205090-1; MIL P/N 63-368, INCLUDED IN KIT.
- ⚠ AMP P/N 91067-2; MIL P/N M81969/1-02.
- ⚠ CONNECTOR SUPPLIED WITHOUT CONTACTS, SHOWN FOR ILLUSTRATION ONLY.
- ⚠ UL/CSA DESIGNATION STAMPED IN THIS AREA.

SAME AS -1 EXCEPT: ⚠ ⚠ ⚠	211526-3
SAME AS -1 EXCEPT: ⚠ ⚠	211526-2
AS SHOWN	211526-1

DO NOT SCALE PRINT. UNLESS SPECIFIED DIMENSIONS IN INCHES. TOLERANCES ON:		DR 7-1-85 D. ERDMAN	
2 PLC DEC ±	3 PLC DEC ± .005	CHK 9-18-85 R. GRZYBOWSKI	
ANGLES ± 0°30'		APPD 9-20-85 L. ROPNER	
		APPD 9-25-85 G. SACUNAS	
MATERIAL	SEE CALLOUT	PRODUCT SPEC	
FINISH	SEE CALLOUT	APPLICATION SPEC	
		WEIGHT	

AMP AMP INCORPORATED Harrisburg, Pa. 17105			
NAME RECEPTACLE ASS'Y., AMPLIMITE 15 POSN., SIZE 2, SERIES 109, W/DUAL FLOAT BUSHINGS			
SIZE	FSCM NO	DRAWING NO	
D	00779	211526	
SCALE	NTS	SHEET	1 OF 1