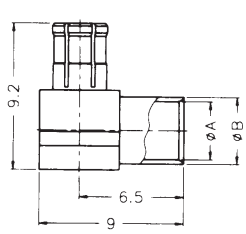


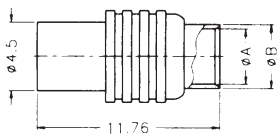
50 Ohm For Semi-Rigid Cable and PCB

Fig. 1



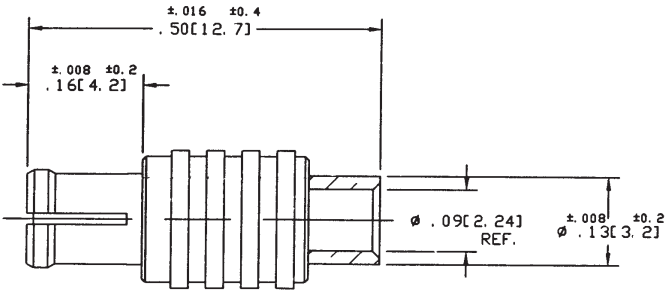
MCX Angle Plug, Solder to Body  
**919-102P-51AX**  
 for .085 S/R (2.2mm)  
**919-103P-51AX**  
 for .141 S/R (3.6mm)

Fig. 2



MCX Jack, Solder to Body  
**919-114J-51SX**  
 for .085 S/R (2.2mm)

Fig. 3



MCX Plug Solder to Body  
**919-120P-51SX**  
 for .085 S/R 2.2mm

50 OHM MCX SEMI-RIGID CABLE CONNECTORS

Cable RG-/U	Cable Attachment		CAI	Plt.	Ins.	Construction Notes	Amphenol Number	Fig.
	Outer	Inner						
.085 Semi-Rigid	Solder	Solder	C76	P11	D1	Gold Plated	<a href="#">919-102P-51AX</a>	1
.085 Semi-Rigid	Solder	Solder	C75	P11	D1	Gold Plated	<a href="#">919-114J-51SX</a>	2
.085 Semi-Rigid	Solder	Solder	C75	P11	D1	Gold Plated	<a href="#">919-120P-51SX</a>	3
.141 Semi-Rigid	Solder	Solder	C76	P11	D1	Gold Plated	<a href="#">919-103P-51AX</a>	1