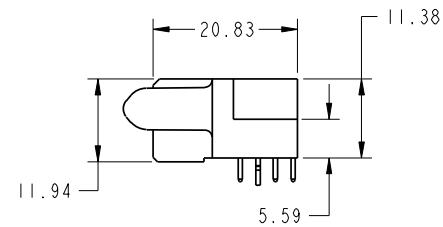
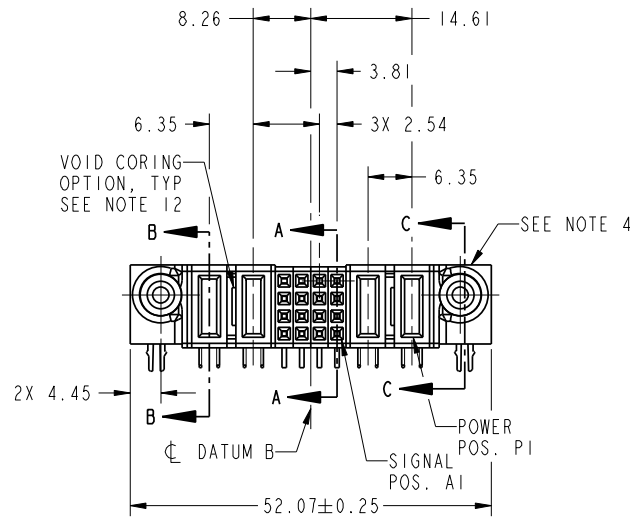
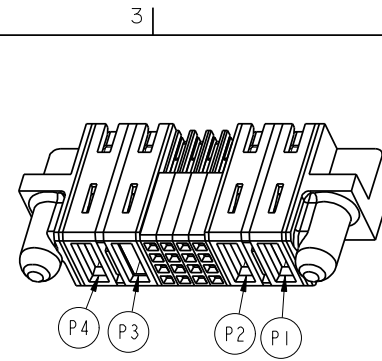
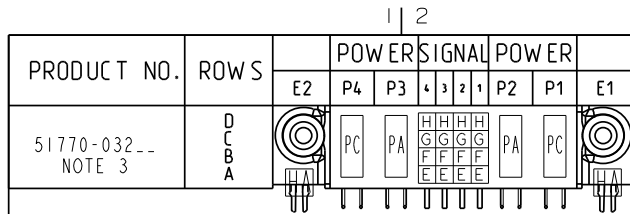


Tous droits strictement réservés. Reproduction ou communication o des liens interdite sous quelque forme que ce soit sans autorisation écrite du propriétaire. Propriete de c FCI. Droits de reproduction FCI.



All rights strictly reserved. Reproduction or issue to third parties in any form whatever is not permitted without written authority from the proprietor. Property of FCI. Copyright FCI.



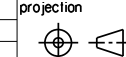
CODE	DIM "M" MATING LENGTH	DIM "W" MIN WIPE LENGTH	CONTACT TYPE
PC	2.34	4.50	POWER
H	N/A	N/A	SIGNAL
G	N/A	N/A	SIGNAL
F	N/A	N/A	SIGNAL
E	N/A	N/A	SIGNAL
HA	N/A	N/A	HOLD-DOWN
PA	1.07	5.77	POWER

mat'l code				tolerances unless otherwise specified		CUSTOMER	
ltr	ecn no.	dr	date	linear	angles	COPY	
A	DG08-0044	JC	02/25/08	0.X ±0.5	0° ±2°	FCI www.fciconnect.com	
				0.XX ±0.25		projection	title
				0.XXX ±0.1			2P + 16S + 2P R/A SOLDER RECEPTACLE
						MM	product family
						scale	PwrBlade
						1:1	code
							213
sheet index	revision sheet	A	A	A	A		sheet
		1	2	3	4		1 of 4

size	dwg no	code
A	51770-032	213



www.fciconnect.com



MM

scale 1:1

product family PwrBlade code 213
size dwg no 51770-032 sheet 1 of 4

Pro/E

cage code 22526

PDM: Rev:A

STATUS: Released

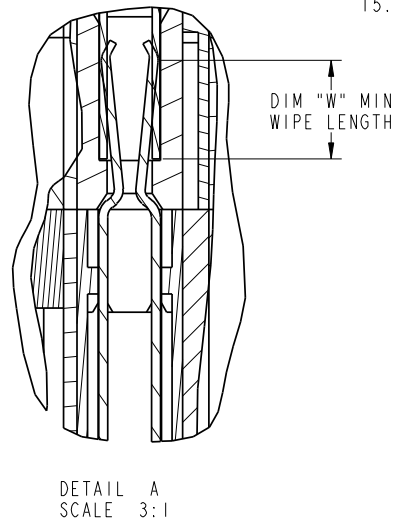
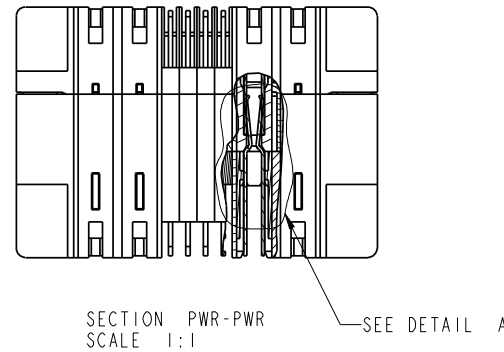
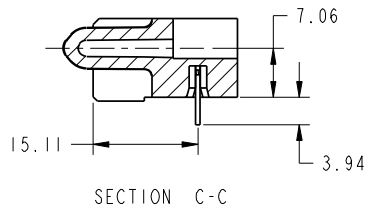
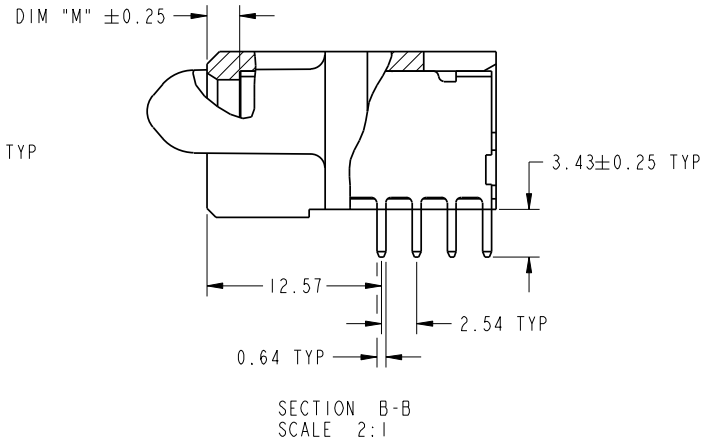
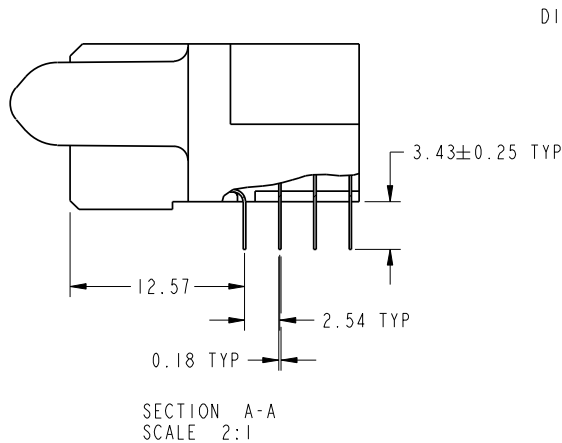
Printed: Dec 20, 2010

Tous droits strictement réservés. Reproduction ou communication o des liens interdite sous quelque forme que ce soit sans autorisation écrite du propriétaire. Propriete de c FCI. Droits de reproduction FCI.



All rights strictly reserved. Reproduction or issue to third parties in any form whatever is not permitted without written authority from the proprietor. Property of FCI. Copyright FCI.

PRODUCT NUMBER
51770-032...
NOTE 3



mat'l code		SEE NOTE 2		tolerances unless otherwise specified		CUSTOMER		FCI		www.fciconnect.com	
lfr	ecn no.	dr	date	linear	0.X ±0.5	COPY		projection		title	
A					0.XX ±0.25					2P + 16S + 2P R/A SOLDER RECEPTACLE	
				angles	0.XXX ±0.1					product family	
				dr	0° ±2°					PwrBlade	
				engr		MM		size		code	
				chr	Jerome Chen 01/18/08	1:1		A		213	
				appd	Jerome Chen 01/18/08			51770-032		sheet	
					Gary Hsieh 01/18/08					2 of 4	
					Joseph Hsia 01/18/08						
sheet index	revision sheet										

Pro/E

cage code 22526

PDM: Rev:A

STATUS: Released

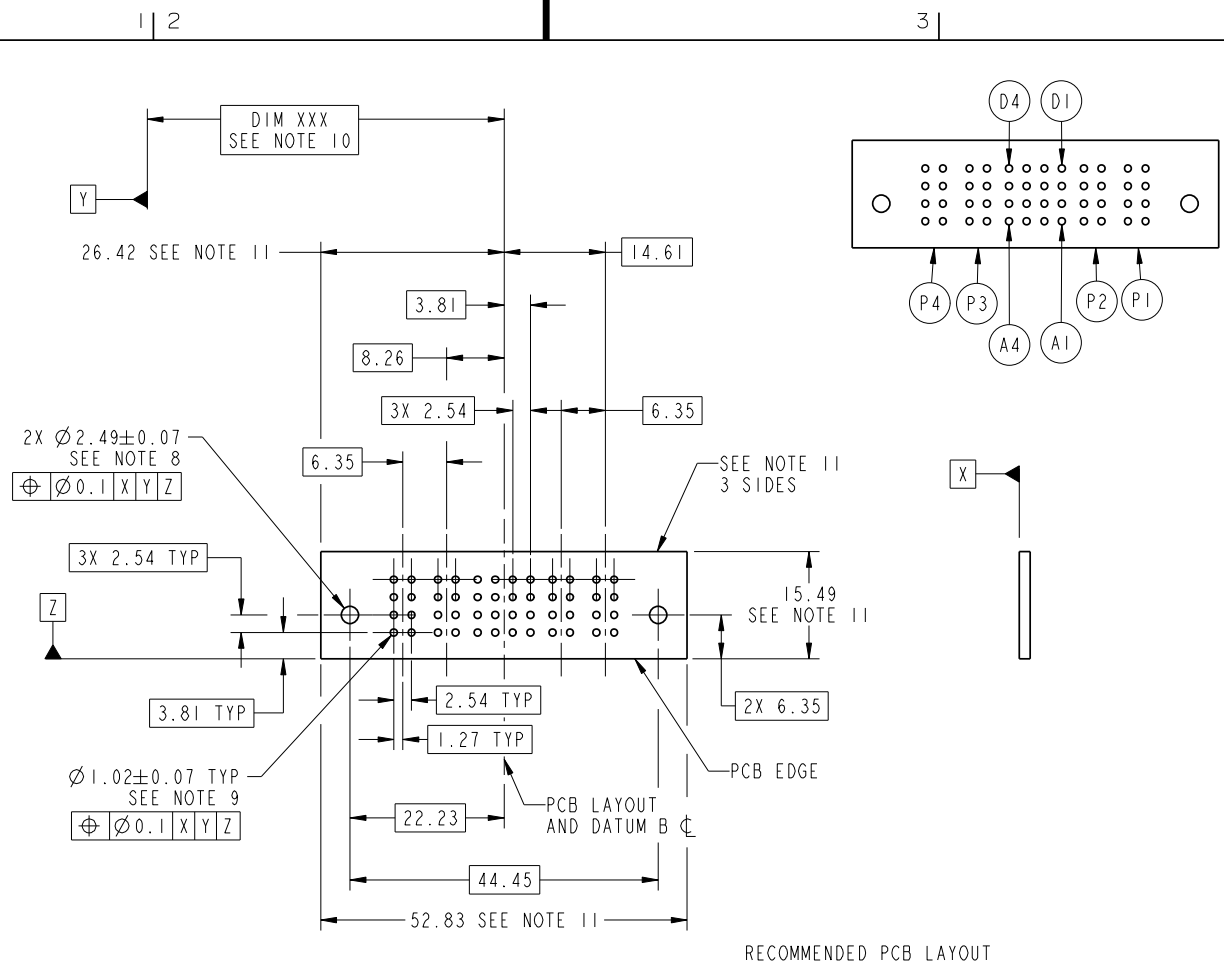
Printed: Dec 20, 2010

Tous droits strictement réservés. Reproduction ou communication a des tiers interdite sous quelque forme que ce soit sans autorisation écrite du propriétaire. Propriété de c FCI. Droits de reproduction FCI.



All rights strictly reserved. Reproduction or issue to third parties in any form whatever is not permitted without written authority from the proprietor. Property of FCI. Copyright FCI.

PRODUCT NUMBER
51770-032...
NOTE 3



mat'l code		SEE NOTE		tolerances unless otherwise specified		CUSTOMER		FCI		www.fciconnect.com	
lfr	ecn no.	dr	date	linear	0.X ± 0.5	COPY		projection		title	
A				angles	0.XX ± 0.25	MM		MM		2P + 16S + 2P R/A SOLDER RECEPTACLE	
				dr	0.XXX ± 0.1	scale		product family		PwrBlade	
				engr	0° ± 2°	1:1		size		code	
				chr				A		213	
				appd				51770-032		3 of 4	
sheet index	revision sheet										



Pro/E

cage code 22526

PDM: Rev:A

STATUS: Released

Printed: Dec 20, 2010

Tous droits strictement réservés. Reproduction ou communication o des liens interdite sous quelque forme que ce soit sans autorisation écrite du propriétaire. Propriete de c FCI. Droits de reproduction FCI.



All rights strictly reserved. Reproduction or issue to third parties in any form whatever is not permitted without written authority from the proprietor. Property of FCI. Copyright FCI.

PRODUCT NUMBER
51770-032..
NOTE 3

NOTES:

1. DIMENSIONS AND TOLERANCES ARE IN ACCORDANCE WITH ASME Y14.5M, 1994 UNLESS OTHERWISE SPECIFIED.

CONNECTOR NOTES:

- 2. HOUSING MATERIAL: UL 94 V-0 GLASS FILLED HIGH-TEMP THERMOPLASTIC
POWER CONTACT MATERIAL: COPPER
SIGNAL PIN MATERIAL: COPPER ALLOY
- 3. PLATING:
SEE PRINT 10064183 FOR PLATING SPEC OF 51770-032; 51770-032LF
- 4. MANUFACTURER'S NAME, P/N, AND DATE CODE TO APPEAR ON THIS SURFACE.
- 5. PRODUCT SPECIFICATION GS-12-149.
APPLICATION SPECIFICATION BUS-20-067.

PCB NOTES:

- 7. ALL HOLE DIAMETERS ARE FINISHED HOLE SIZE.
- 8. MOUNTING HOLES, WHERE APPLICABLE, ARE UNPLATED.
- 9. $\varnothing 1.151 \pm 0.025$ DRILLED HOLES PLATED WITH
0.008 MIN SnPb OR Sn OVER 0.03
TO 0.08 Cu PLATING TO ACHIEVE
 $\varnothing 1.02 \pm 0.07$ HOLE.
- 10. "DIM XXX" TO BE DETERMINED BY THE CUSTOMER.
- 11. CONNECTOR KEEP-OUT ZONE.
- 12. THE VOID CORING IN BETWEEN POWER MODULES, SIGNAL MODULES AND END MODULES
ARE OPTIONAL AND THE SHAPE MAY BE DIFFERENT FOR OPTIMIZE THE MOLDING PROCESS.
THE VOID CORING WILL NOT EFFECT TO PRODUCT FUNCTION.

mat'l code				SEE NOTE 2		tolerances unless otherwise specified		CUSTOMER		FCI		www.fciconnect.com	
lfr	ecn no.	dr	date	linear	0.X ± 0.5	COPY		projection	title				
A					0.XX ± 0.25				2P + 16S + 2P R/A SOLDER RECEPTACLE				
				angles	0.XXX ± 0.1								
				dr	0° ± 2°								
				engr	Jerome Chen 01/18/08	MM		product family	PwrBlade	code			
				chr	Jerome Chen 01/18/08	←		size	dwg no	213			
				appd	Gary Hsieh 01/18/08	scale		A	51770-032	sheet			
					Joseph Hsia 01/18/08	1:1				4 of 4			
sheet index	revision sheet												



Pro/E

cage code 22526

PDM: Rev:A

STATUS: Released

Printed: Dec 20, 2010