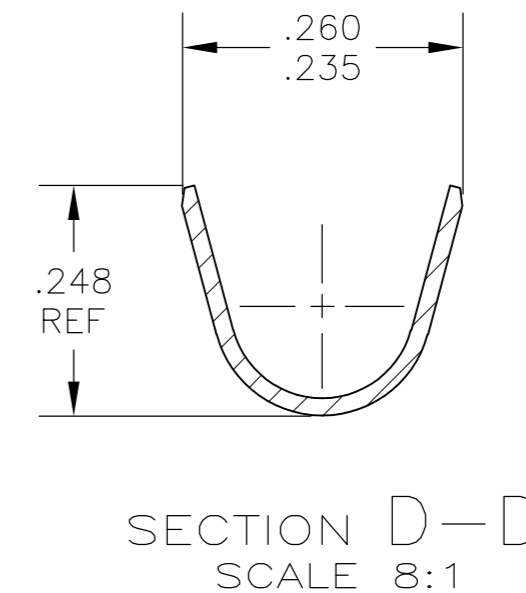
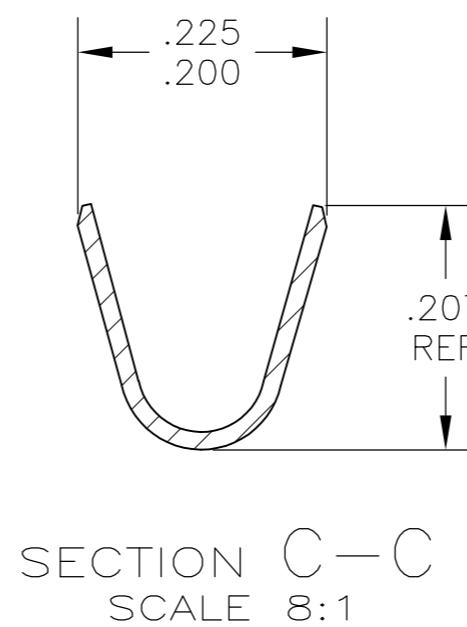
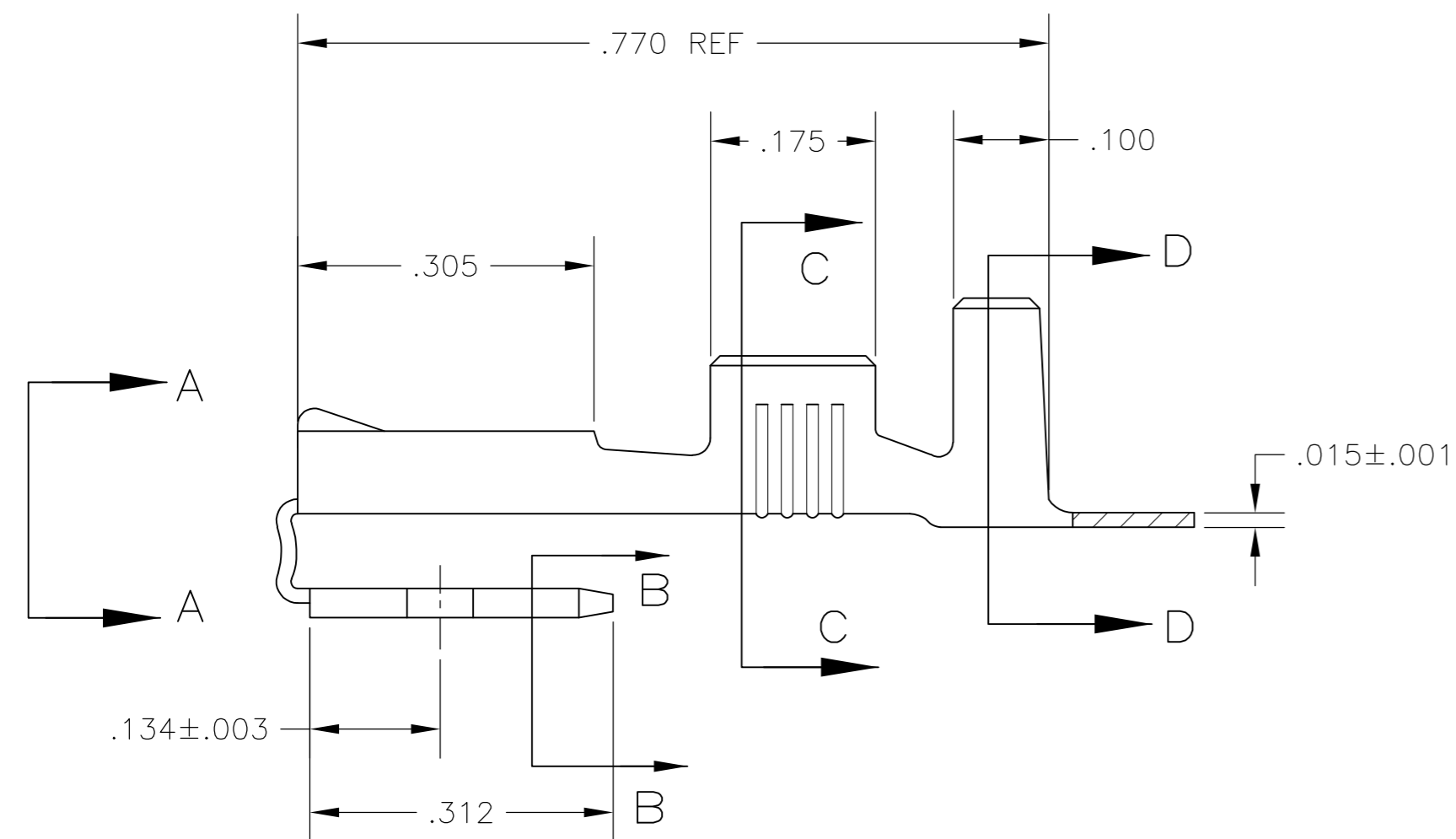
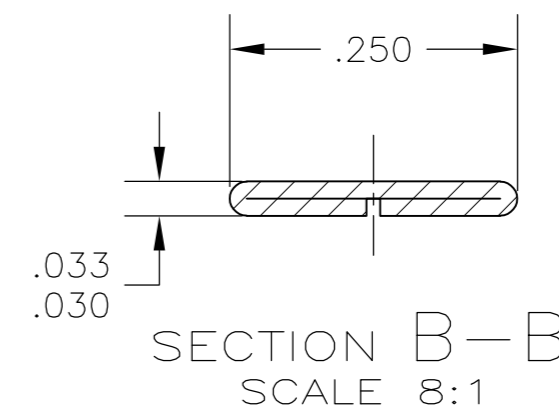
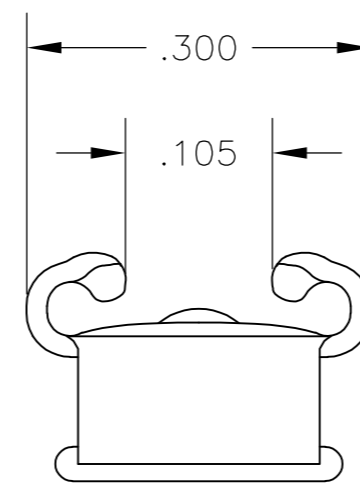
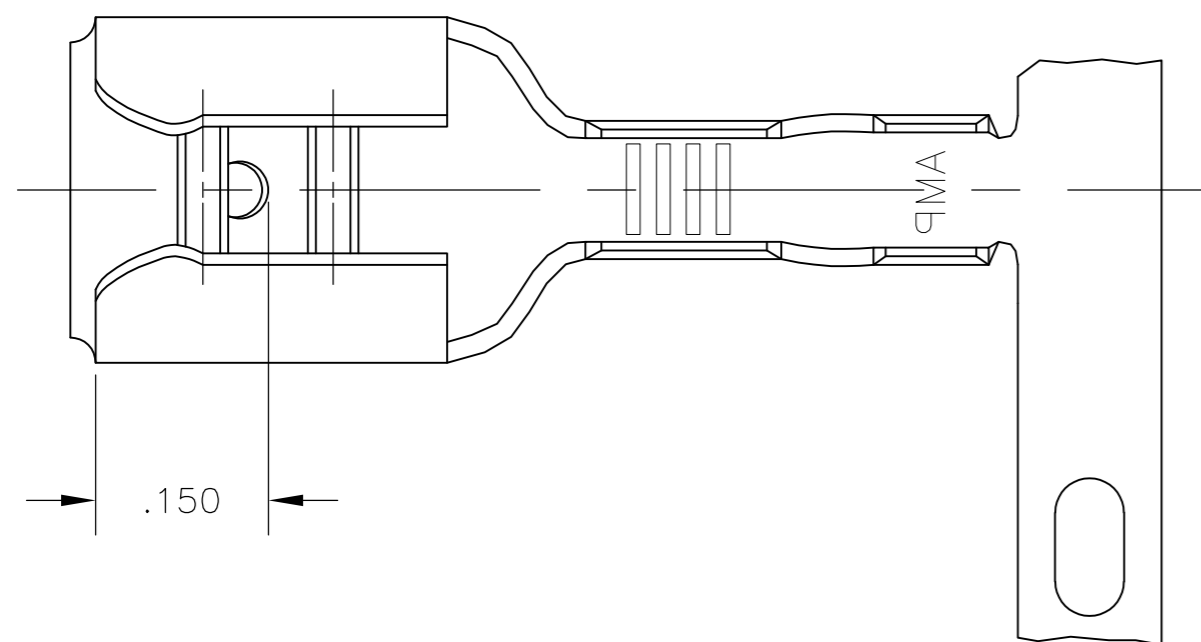


THIS DRAWING IS UNPUBLISHED. RELEASED FOR PUBLICATION  
 © COPYRIGHT - By - ALL RIGHTS RESERVED.

LOC	DIST	REVISIONS			
P	LTR	DESCRIPTION	DATE	DWN	APVD
AF	50	C	REVISED PER ECR-12-013518	26NOV2012	KH PD

- 1 CONTINUOUS STRIP ON REELS
- 2 MATING TAB THK TO BE  $.032 \pm .001$
- 3 WIRE SIZE IS #12-#10 AWG.
- 4 INSULATION RANGE IS  $.140-.200$  DIA



TIN	1742402-2
---	1742402-1
FINISH	PART NO

THIS DRAWING IS A CONTROLLED DOCUMENT.		DWN	JR RUTH	02FEB06
DIMENSIONS: INCHES		CHK	P DESANTIS	02FEB06
TOLERANCES UNLESS OTHERWISE SPECIFIED:		APVD	P DESANTIS	02FEB06
0 PLC ± -		PRODUCT SPEC	-	
1 PLC ± -		APPLICATION SPEC	114-2082	
2 PLC ± -		WEIGHT	-	
3 PLC ± .010		CUSTOMER DRAWING	SCALE	6:1
4 PLC ± -		MATERIAL	BRASS	SEE TABLE
ANGLES ± -		FINISH	-	
FINISH		TE Connectivity		
MATERIAL		RECEPTACLE, FASTON, PIGGYBACK, .250 SERIES		
FINISH		SIZE	A2	00779
SEE TABLE		CAGE CODE	C=1742402	
-		DRAWING NO	1742402	
-		RESTRICTED TO	-	
-		SHEET	1 of 1	
-		REV	C	