

PRODUCT DATASHEET

Lenina series

last update 31/10/2016

DETAILS

Product Number	CN12649_LENINA-W-DL
Family	Lenina
Type	RefPack
Color	metal
Diameter	74 mm
Height	47,7 mm
Style	round
Optic Material	PC
Holder Material	
Fastening	screw
Status	production ready
ROHS Compliant	Yes
Date Updated	31/10/2016

OPTICAL PROPERTIES

LED	Viewing Angle	Light Beam	Efficiency	cd/lm	Connector
LUXEON CoB 1204/1205	57 deg	Wide	84 %	1.000	-
LUXEON CoB 1208	60 deg	Wide	84 %	0.900	-
COB J-Type	59 deg	Wide	82 %	0.910	-
Mega Zenigata (GW5DGC)	45 deg	Wide	78 %	-	-
Mega Zenigata (GW6DME)	59 deg	Wide	83 %	0.940	-

D

C

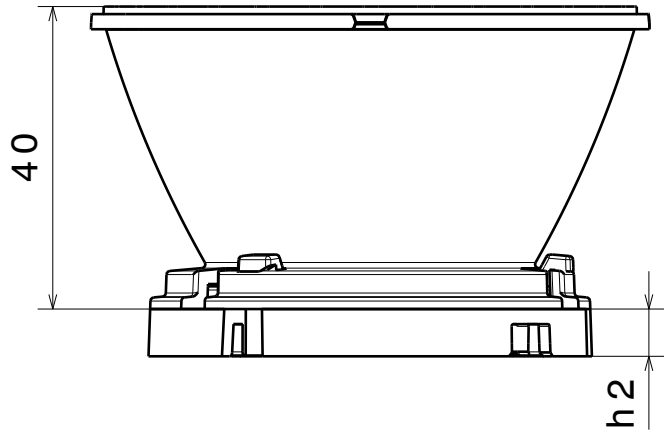
B

A

4

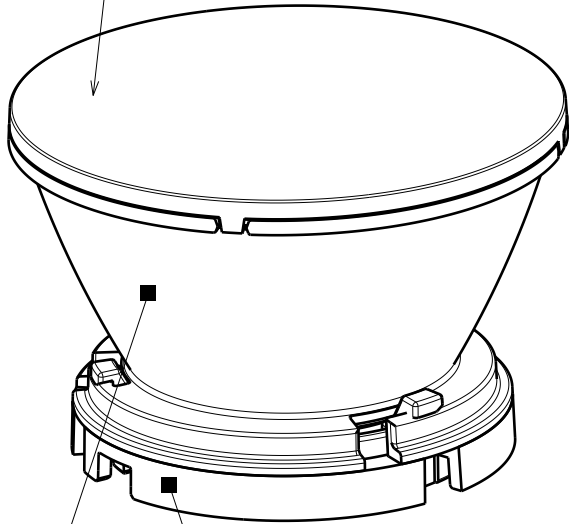
4

Material of optional sublens: PC, clear



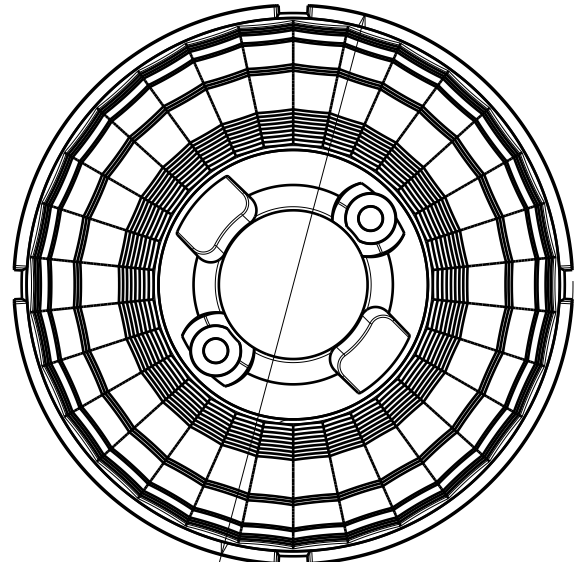
3

3



Base material PC, white

Reflector material PC



2

2

NOTE:

Using optional sublens, add 2.1mm to the system height

Dimension 'h2' varies from 4.5mm to 7mm depending on the LED specific base part

This drawing is our property. It can't be reproduced or communicated without our written agreement.



Ledil Oy
Salorankatu 10
FIN-24240 SALO
Finland

DRAWING TITLE

Datasheet Lenina series

1

1

DRAWN BY

ks

DATE

23.04.2014

CHECKED BY

DATE

SIZE

A4

DRAWING NUMBER

--

REV

1

DESIGNED BY

pl

DATE

08.03.2012

SCALE

1:1

WEIGHT (g)

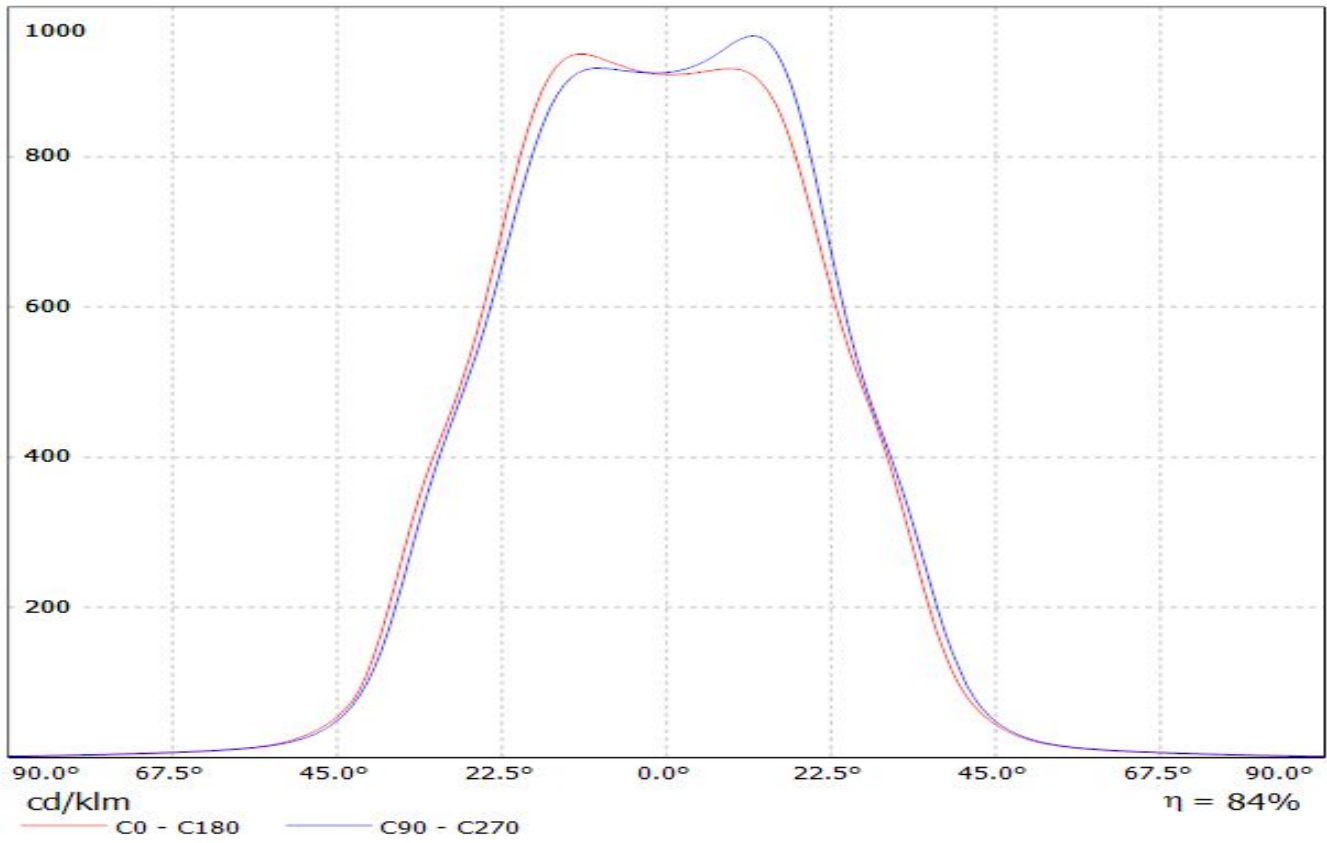
SHEET

1/1

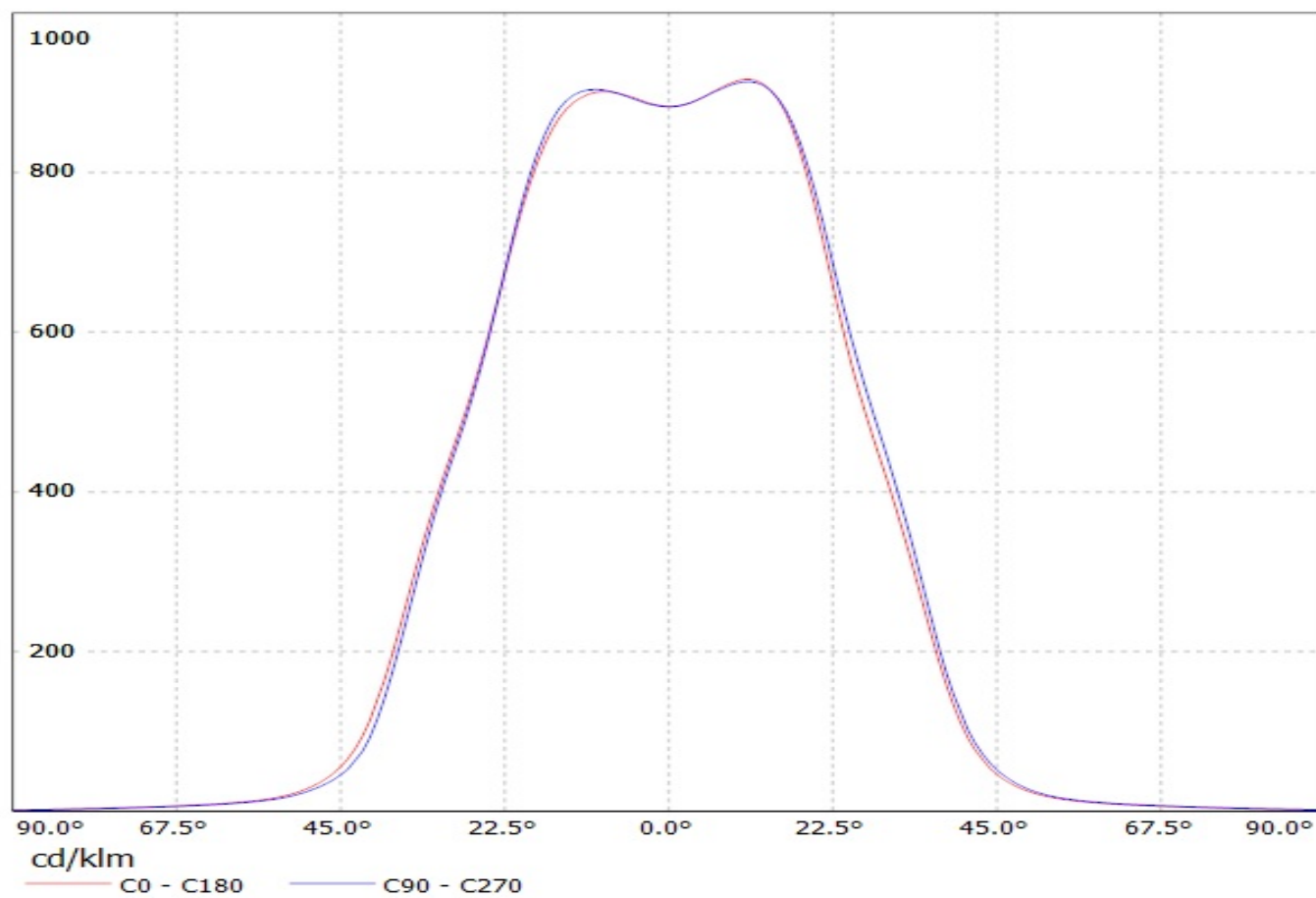
D

A

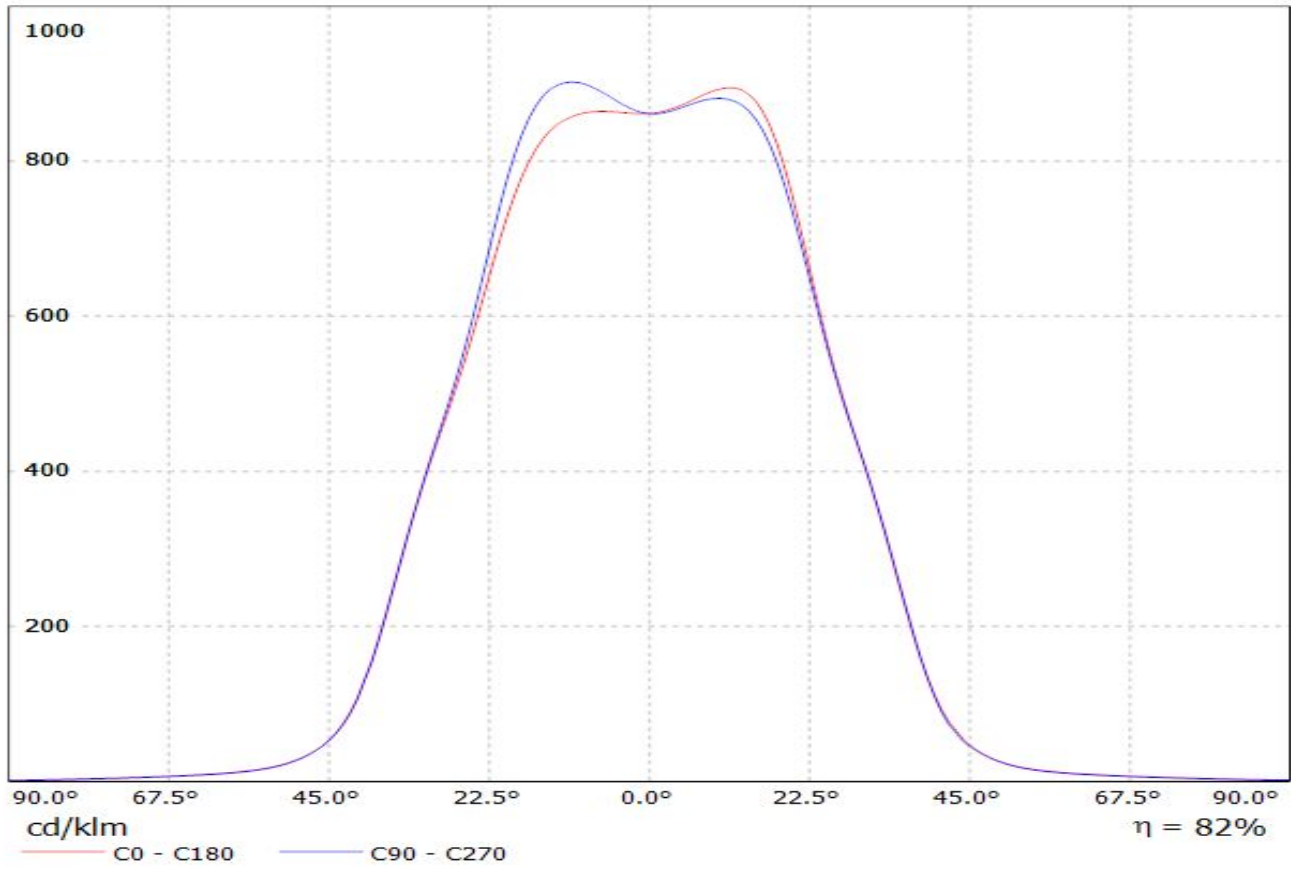
Luminaire: LEDiL Oy CN12649_LENINA-W-DL_(LUXEON_CoB_1205) Eff: 84 %
Lamps: 1 x LUXEON CoB 1205 (LHC1-3080-1205) 1106lm@250mA CCT=3000K P=8.3W I=250mA



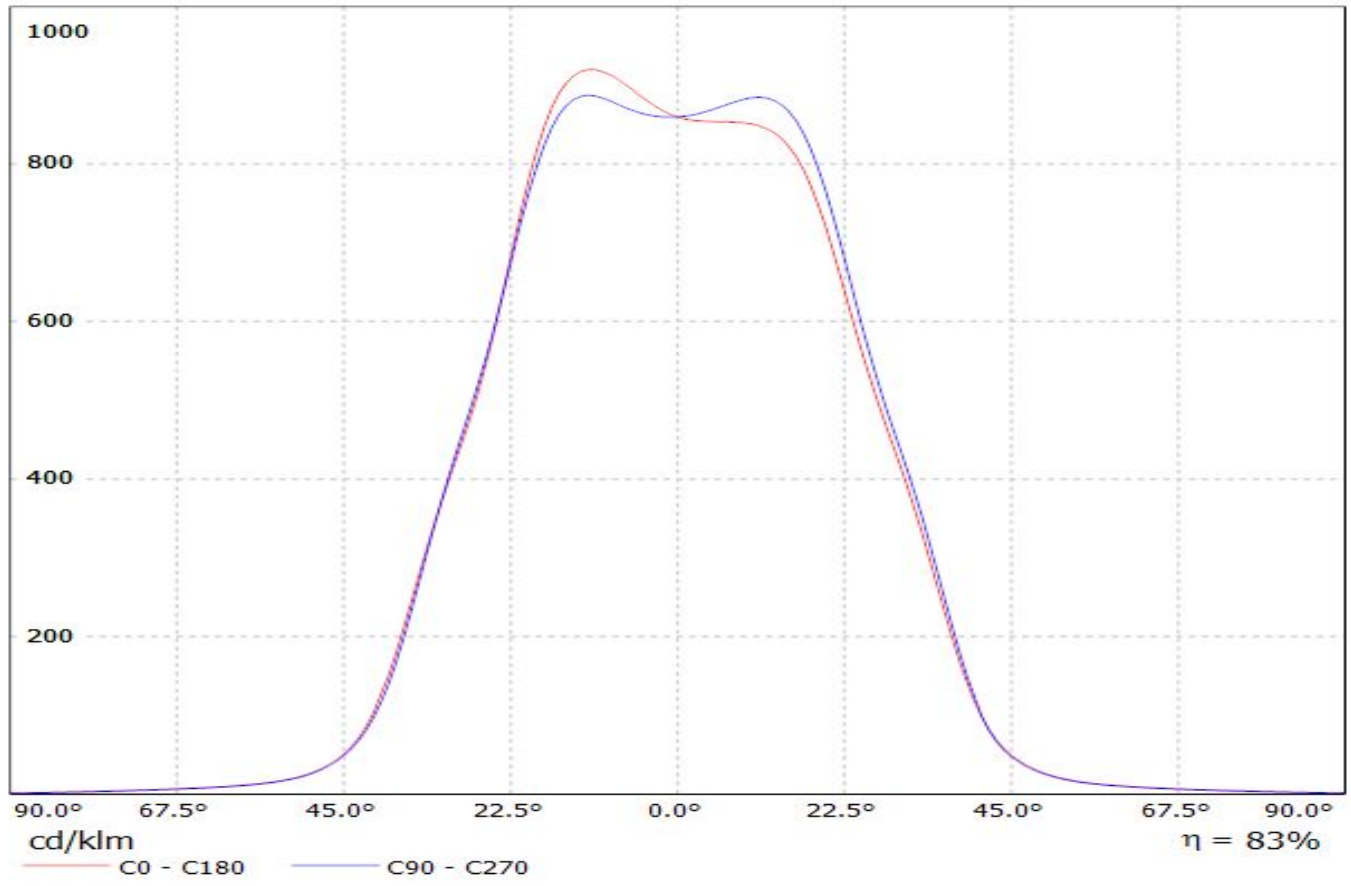
Luminaire: LEDiL Oy CN12649_LENINA-W-DL_(Luxeon_CoB_1208) Eff: 84 %
Lamps: 1 x Luxeon CoB 1208 (LHC1-3080-1208) 1065lm@250mA CCT=3000K P=8.3W I=250mA



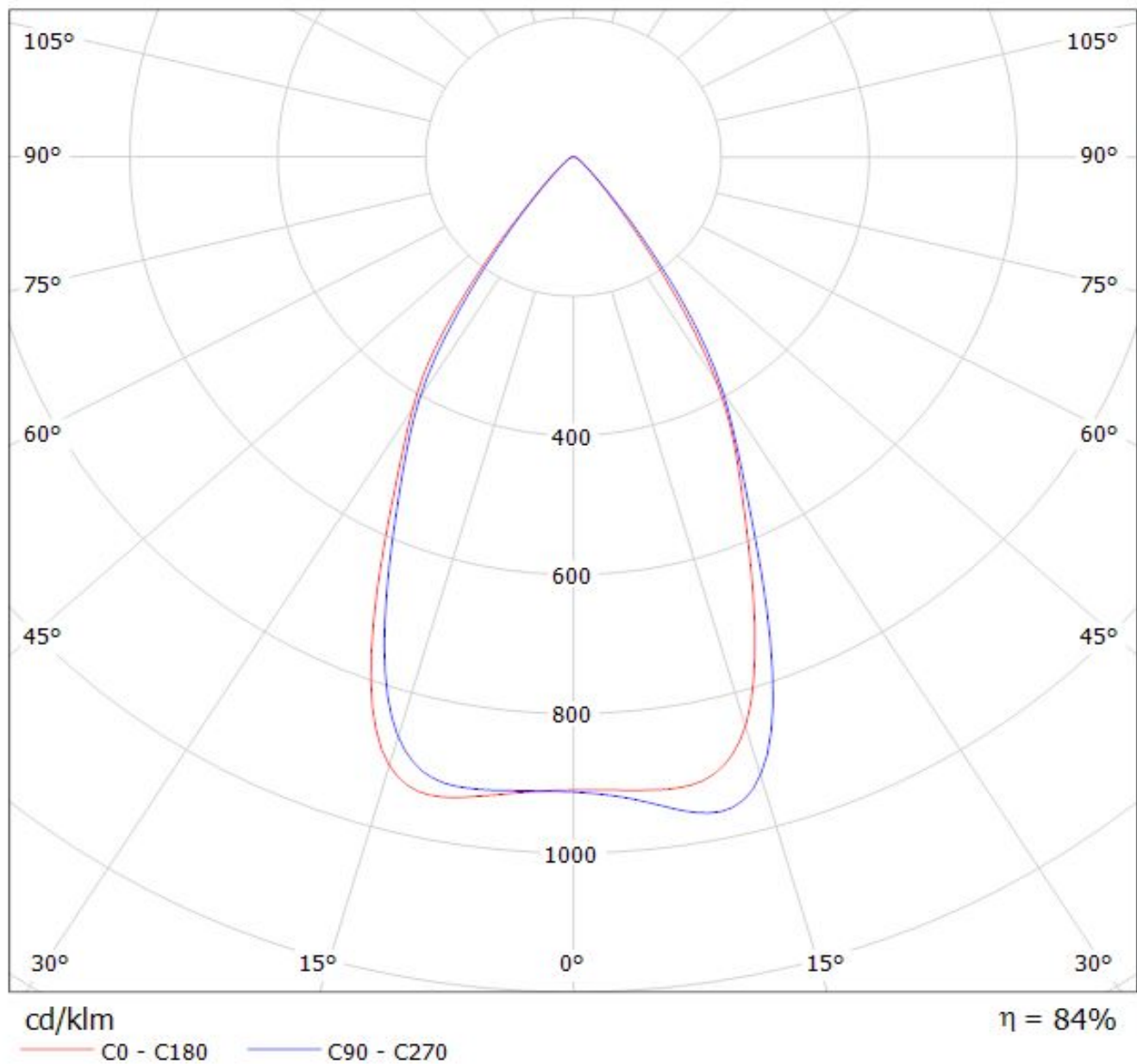
Luminaire: LEDiL Oy CN12649_LENINA-W-DL_(NSCxJ216A) Eff.82.1%
Lamps: 1 x NICHIA_NSCxJ216A_(NSCLJ216AE)_1073.33lm@250mA CCT=3000K P=8.11575W I=249.9mA



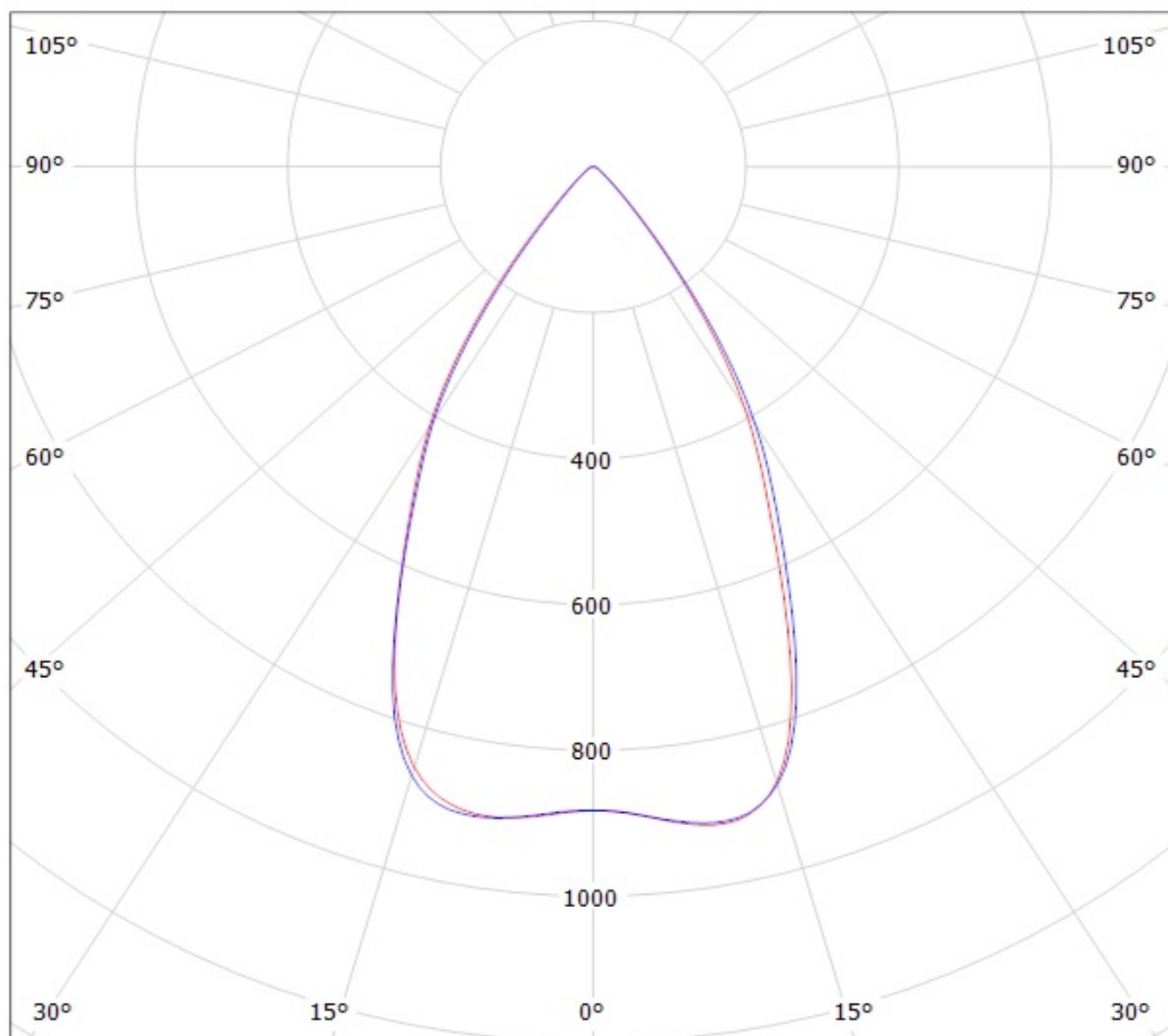
Luminaire: LEDiL Oy CN12649_LENINA-W-DL_(Megazenigata_GW6D) Eff.82.7%
Lamps: 1 x SHARP_Megazenigata_(GW6DMC40NFC)_1087.39lm@250mA_P=8.48721W_I=249.8mA



Luminaire: LEDiL Oy CN12649_LENINA-W-DL_(LUXEON_CoB_1205) Eff: 84 %
Lamps: 1 x LUXEON CoB 1205 (LHC1-3080-1205) 1106lm@250mA CCT=3000K P=8.3W I=250mA



Luminaire: LEDiL Oy CN12649_LENINA-W-DL_(Luxeon_CoB_1208) Eff: 84 %
Lamps: 1 x Luxeon CoB 1208 (LHC1-3080-1208) 1065lm@250mA CCT=3000K P=8.3W I=250mA

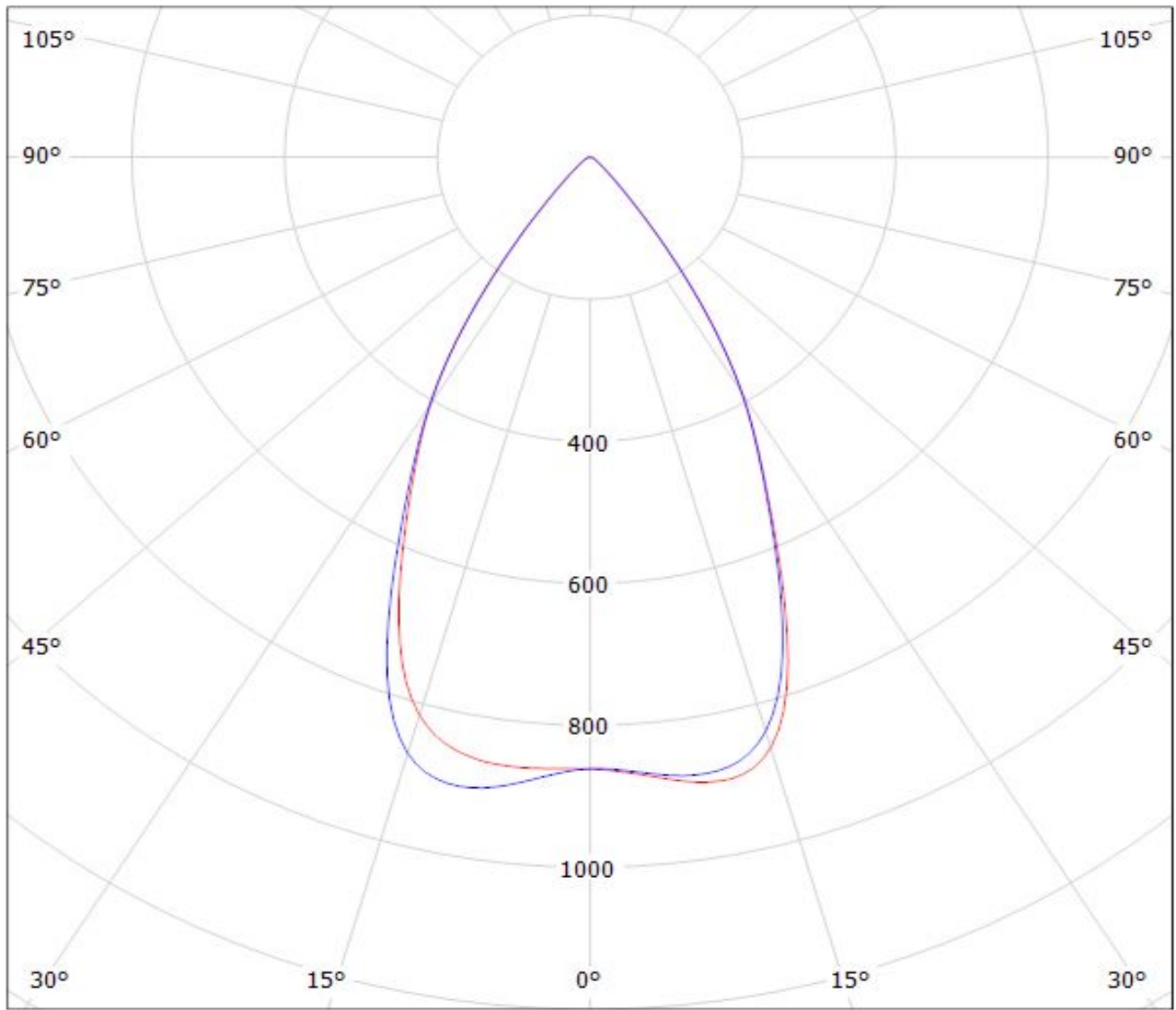


cd/klm

— C0 - C180 — C90 - C270

Luminaire: LEDiL Oy CN12649_LENINA-W-DL_(NSCxJ216A) Eff.82.1%

Lamps: 1 x NICHIA_NSCxJ216A_(NSCLJ216AE)_1073.33lm@250mA CCT=3000K P=8.11575W I=249.9mA



cd/klm

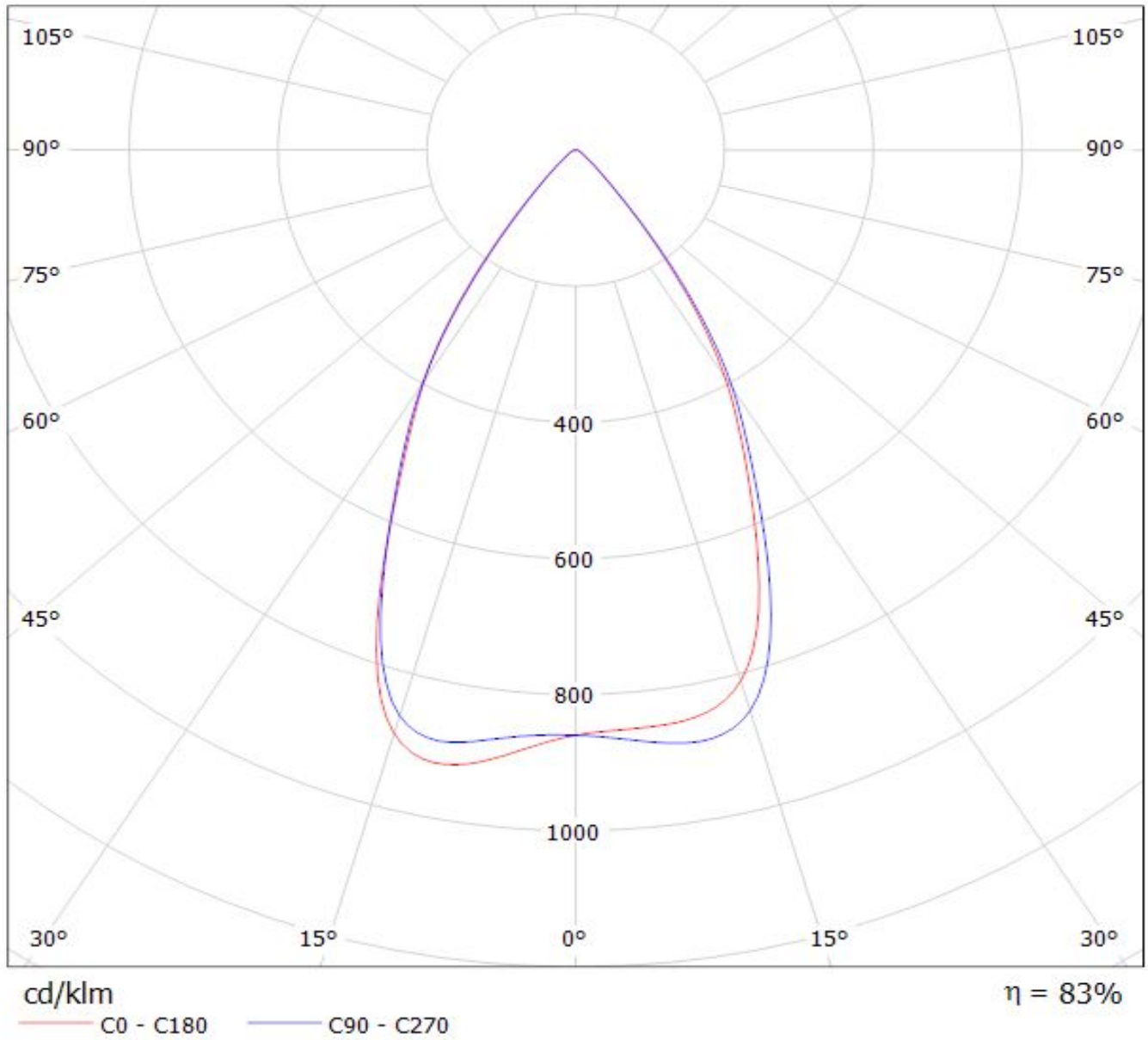
— C0 - C180

— C90 - C270

$\eta = 82\%$

Luminaire: LEDiL Oy CN12649_LENINA-W-DL_(Megazenigata_GW6D) Eff.82.7%

Lamps: 1 x SHARP_Megazenigata_(GW6DMC40NFC)_1087.39lm@250mA_P=8.48721W_I=249.8mA



NOTE: The typical divergence will be changed by different color, chip size and chip position tolerance. The typical total divergence is the full angle measured where the luminous intensity is half of the peak value.

GENERAL INFORMATION

- Product series especially designed & optimized for series of LEDs.
- Special care taken to make light distribution as uniform as possible.

Note! Due to use of high power COB's with this product, special attention to proper thermal design is highly recommended. LEDiL has no liability for direct, indirect or consecutive damages arising from the LEDiL products being used outside of the recommended temperature range.