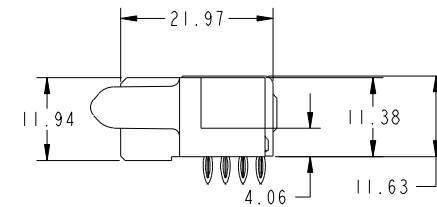
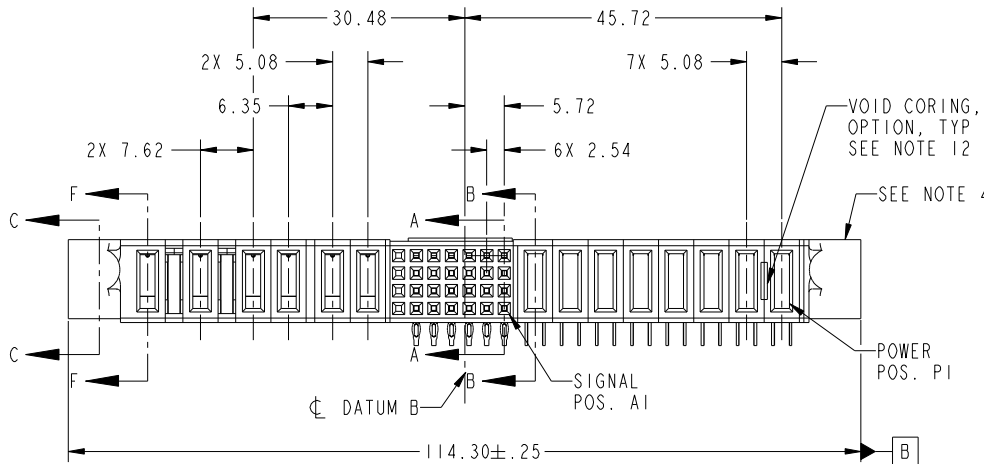
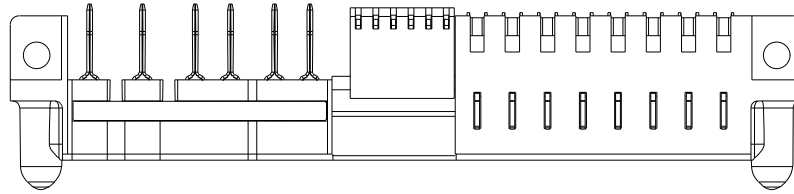


Tous droits strictement reserves. Reproduction ou communication a des tiers interdite sous quelque forme que ce soit sans autorisation écrite du propriétaire. Propriete de c FCI. Droits de reproduction FCI.



All rights strictly reserved. Reproduction or issue to third parties in any form whatever is not permitted without written authority from the proprietor. Property of FCI. Copyright FCI.

PRODUCT NO.	ROWS	POWER								SIGNAL								POWER							
51894-003-- NOTE: 3	D C B A	E2	PH	PH	PG	PG	PH	PH		7	6	5	4	3	2	1	P8	P7	P6	P5	P4	P3	P2	P1	E1
										X	S	S	S	S	S	S	PE	PE	PE	PE	PF	PF	PF	PF	
										X	R	R	R	R	R	R									
										X	P	P	P	P	P	P									
										X	N	N	N	N	N	N									



CODE	DIM "M" MATING LENGTH	CONTACT TYPE
N	[N/A]	SIGNAL
P	[N/A]	SIGNAL
R	[N/A]	SIGNAL
S	[N/A]	SIGNAL
PE	[1.07]	POWER
PF	[2.34]	POWER
PG	[1.07]	POWER
PH	[2.34]	POWER
X	OMITTED	OMITTED

mat'l code				SEE NOTE		tolerances unless otherwise specified		CUSTOMER		FCI	
ltr	ecn no.	dr	date	linear	0.X ± 0.5	projection		COPY		www.fciconnect.com	
A	V04-0162	TAB	02/18/04		0.XX ± 0.25	⊕		title		8P + 28S + 4P + 2ACP	
B	DG05-0135	GuoJM	06/06/05		0.XXX ± 0.10	MM		R/A PRESS FIT RECEPTACLE		product family PwrBlade code 213	
C	DG09-0257	JW	08/11/09	angles	0° + 2°	1:1		size		dwg no 51894-003 sheet 1 of 4	
				dr	M. MOSTOLLER	scale		A		cage code 22526	
				enr	M. MOSTOLLER						
				chr	H. BREWBAKER						
				appd	M. MOSTOLLER						
sheet index	revision sheet	C	C	C	C						
		1	2	3	4						

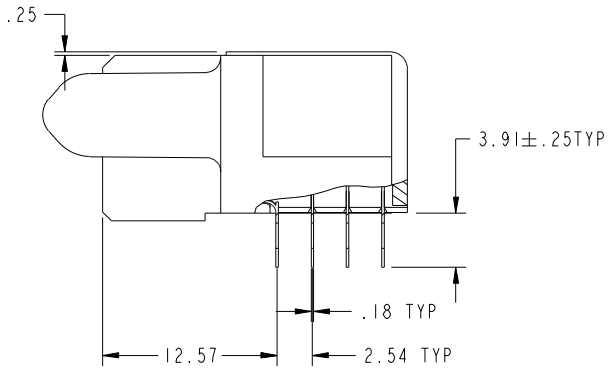
Pro/E

Tous droits strictement reserves. Reproduction ou communication a des tiers interdite sous quelque forme que ce soit sans autorisation écrite du propriétaire. Propriete de c FCI. Droits de reproduction FCI.

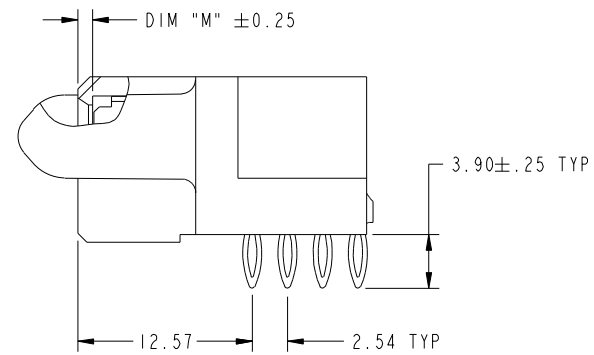


All rights strictly reserved. Reproduction or issue to third parties in any form whatever is not permitted without written authority from the proprietor. Property of FCI. Copyright FCI.

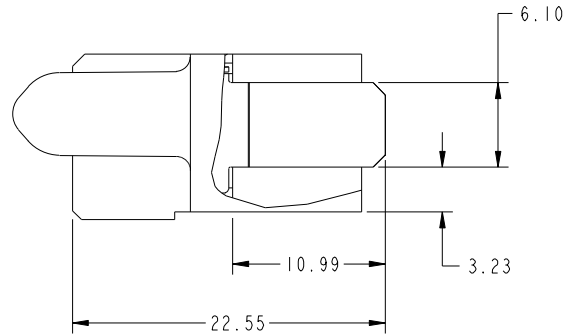
PRODUCT NUMBER  
51894-003--  
NOTE: 3



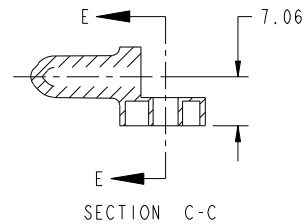
BROKEN-OUT SECTION A-A  
SCALE 2:1



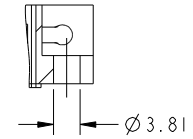
BROKEN-OUT SECTION B-B  
SCALE 2:1



SECTION F-F  
SCALE 2:1



SECTION C-C



PARTIAL SECTION E-E

mat'l code		SEE NOTE		tolerances unless otherwise specified		CUSTOMER		 www.fciconnect.com	
ltr	ecn no.	dr	date	linear	0.X ± 0.5	COPY		title	
C					0.XX ± 0.25	projection		8P + 28S + 4P + 2ACP R/A PRESS FIT RECEPTACLE	
				angles	0.XXX ± 0.10			product family	
				dr	0° + 2°	MIM		PwrBlade	
				enrg	M. MOSTOLLER 3/5/03			code	
				chr	M. MOSTOLLER 3/5/03	scale		213	
				appd	H. BREWBAKER 3/5/03	1:1		sheet	
					M. MOSTOLLER 3/5/03	A		2	
sheet index	revision sheet								

cage code 22526

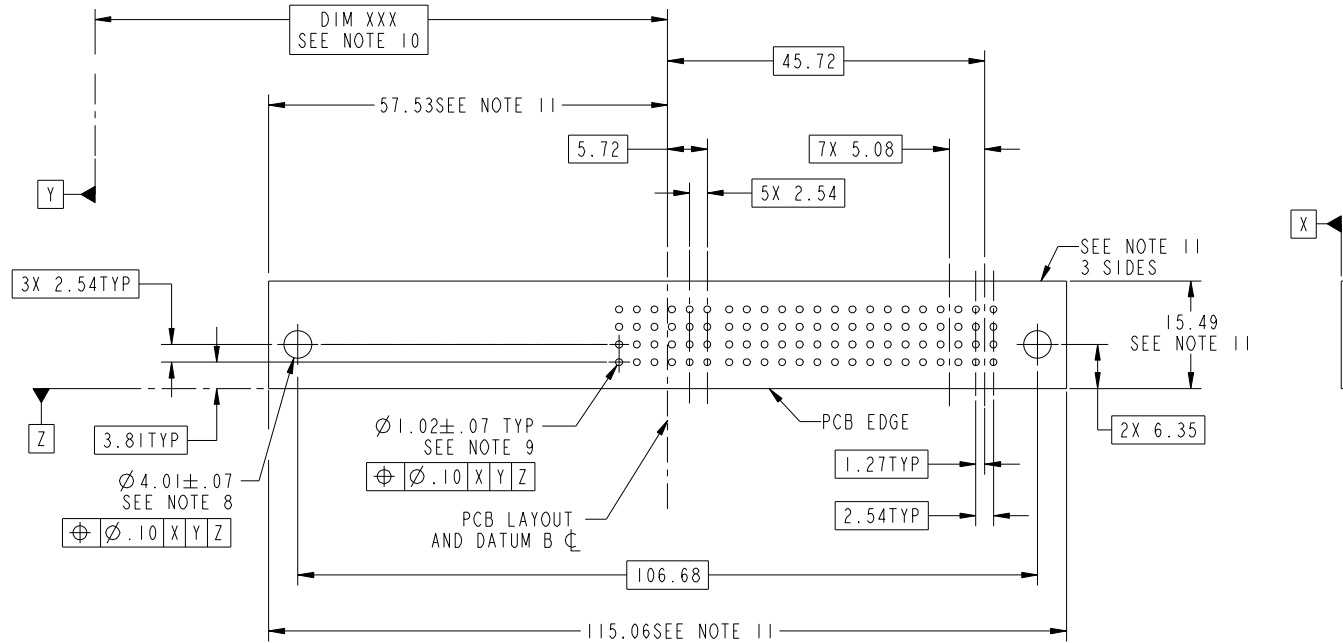
Pro/E

Tous droits strictement reserves. Reproduction ou communication a des tiers interdite sous quelque forme que ce soit sans autorisation écrite du propriétaire. Propriete de c FCI. Droits de reproduction FCI.



All rights strictly reserved. Reproduction or issue to third parties in any form whatever is not permitted without written authority from the proprietor. Property of FCI. Copyright FCI.

PRODUCT NUMBER  
51894-003--  
NOTE: 3



mat'l code		SEE NOTE		tolerances unless otherwise specified		CUSTOMER		FCI		www.fciconnect.com	
ltr	ecn no.	dr	date	linear	0.X ± 0.5	COPY		title			
C					0.XX ± 0.25	projection		8P + 28S + 4P + 2ACP			
				angles	0.XXX ± 0.10			R/A PRESS FIT RECEPTACLE			
				dr	M. MOSTOLLER 3/5/03			product family		PwrBlade	code
				enrg	M. MOSTOLLER 3/5/03			size		dwg no	213
				chr	H. BREWBAKER 3/5/03	scale		A		51894-003	sheet
				appd	M. MOSTOLLER 3/5/03	1:1					3
sheet index	revision sheet										

cage code 22526

Pro/E

Tous droits strictement réservés. Reproduction ou communication a des tiers interdite sous quelque forme que ce soit sans autorisation écrite du propriétaire. Propriete de c FCI. Droits de reproduction FCI.



All rights strictly reserved. Reproduction or issue to third parties in any form whatever is not permitted without written authority from the proprietor. Property of FCI. Copyright FCI.

PRODUCT NUMBER  
51894-003--  
NOTE: 3

NOTES:

1. DIMENSIONS AND TOLERANCES ARE IN ACCORDANCE WITH ASME Y14.5M, 1994 UNLESS OTHERWISE SPECIFIED.

CONNECTOR NOTES:

- 2. HOUSING MATERIAL: UL 94 V-0 GLASS FILLED  
HIGH-TEMP THERMOPLASTIC  
POWER CONTACT MATERIAL: COPPER ALLOY  
SIGNAL PIN MATERIAL: COPPER ALLOY
- 3. PLATING:  
SEE ITEM 7 & 8 IN PRINT 10064183 FOR PLATING SPEC. OF 51894-003, 51894-003LF RESPECTIVELY.
- 4. MANUFACTURER'S NAME, P/N, AND DATE CODE TO APPEAR ON THIS SURFACE.
- 5. PRODUCT SPECIFICATION GS-12-149.  
APPLICATION SPECIFICATION BUS-20-067.
- 6. PACKAGED IN TRAYS.

PCB NOTES:

- 7. ALL HOLE DIAMETERS ARE FINISHED HOLE SIZE.
- 8. MOUNTING HOLES, WHERE APPLICABLE, ARE UNPLATED.
- 9.  $\varnothing 1.151 \pm 0.025$  DRILLED HOLES PLATED WITH  
0.008 MIN SnPb OR Sn OVER 0.03  
TO 0.08 Cu PLATING TO ACHIEVE  
 $\varnothing 1.02 \pm .07$  HOLE.
- 10. "DIM XXX" TO BE DETERMINED BY THE CUSTOMER.
- 11. CONNECTOR KEEP-OUT ZONE.
- 12. THE VOID CORING IN BETWEEN POWER MODULES, SIGNAL MODULES AND END MODULES ARE OPTIONAL AND THE SHAPE MAY BE DIFFERENT FOR OPTIMIZE THE MOLDING PROCESS. THE VOID CORING WILL NOT EFFECT TO PRODUCT FUNCTION.
- 13. A  $\triangle$  SYMBOL WILL BE NEXT TO ANY DIMENSION, VIEW, OR NOTE WHICH HAS BEEN MODIFIED WITH THE CURRENT DRAWING REVISION.
- 14. USE FCI CAM TOOL 430140-XXX TO APPLY CONNECTOR TO PCB.

mat'l code		SEE NOTE		tolerances unless otherwise specified		CUSTOMER		FCI www.fciconnect.com	
ltr	ecr no.	dr	date	linear	0.X ± 0.5	COPY		title	
C					0.XX ± 0.25	projection		8P + 28S + 4P + 2ACP R/A PRESS FIT RECEPTACLE	
				angles	0.XXX ± 0.10			product family PwrBlade code	
		dr	M. MOSTOLLER	3/5/03	0° + 2°	MIM		size	213
		enrg	M. MOSTOLLER	3/5/03				dwg no	sheet
		chr	H. BREWBAKER	3/5/03		scale		51894-003	4
		appd	M. MOSTOLLER	3/5/03		1:1			
sheet index	revision sheet								

cage code 22526

Pro/E