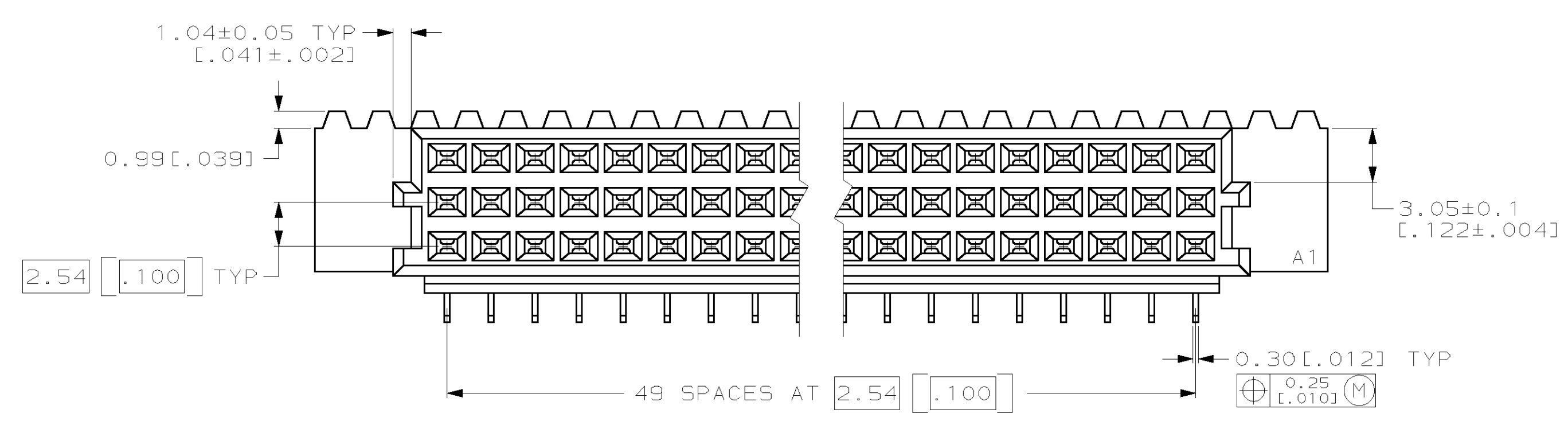
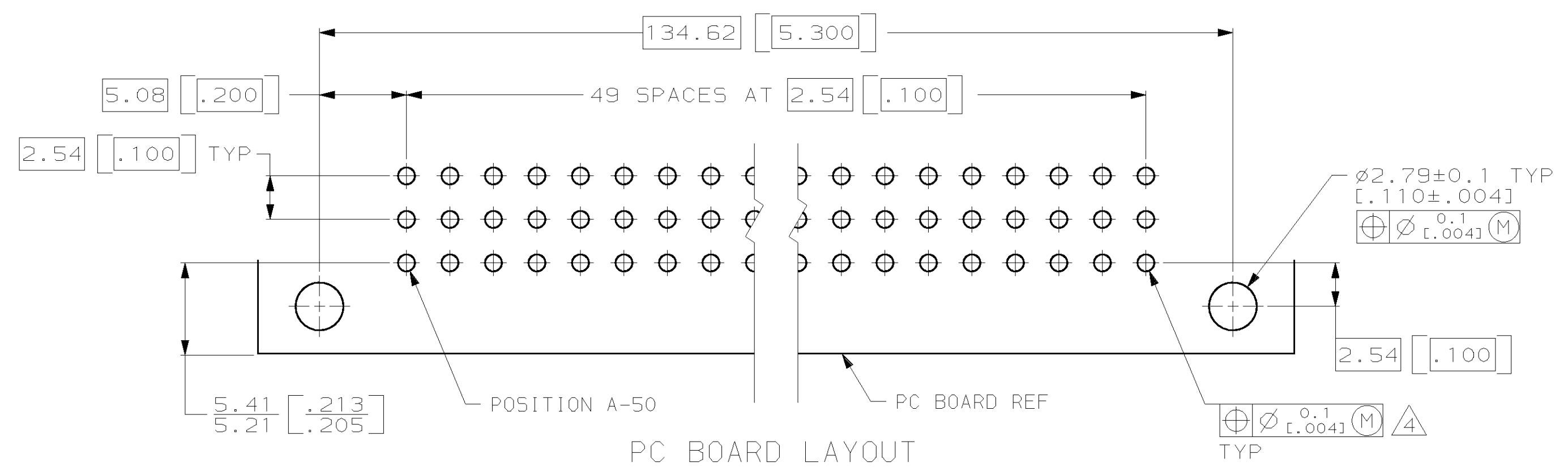
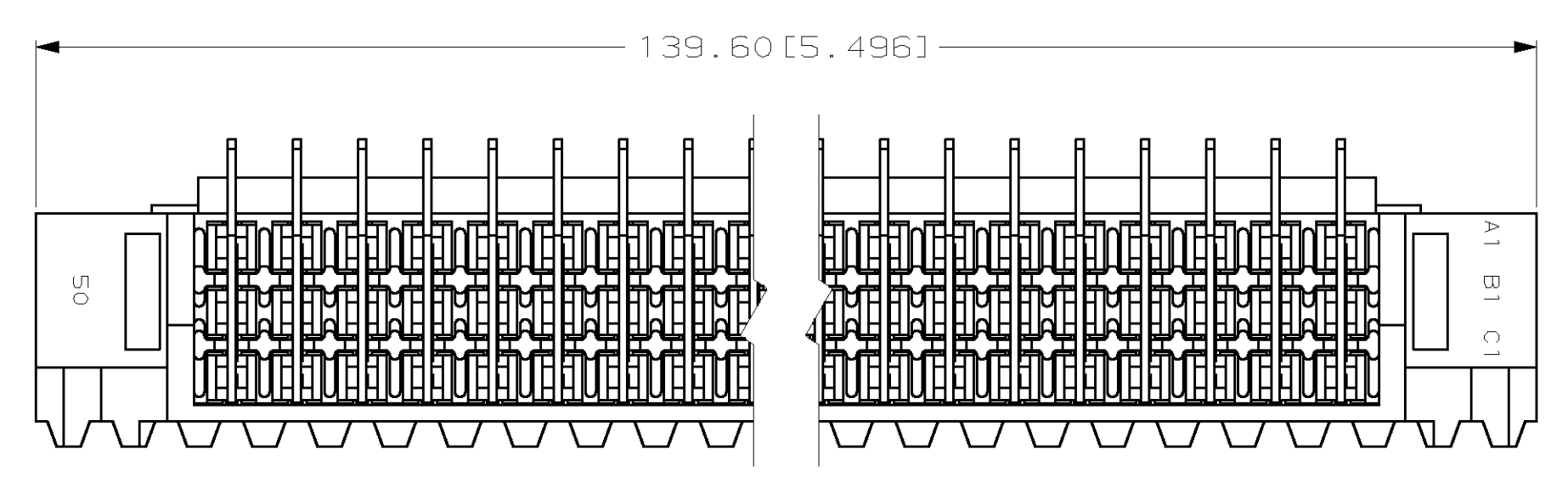
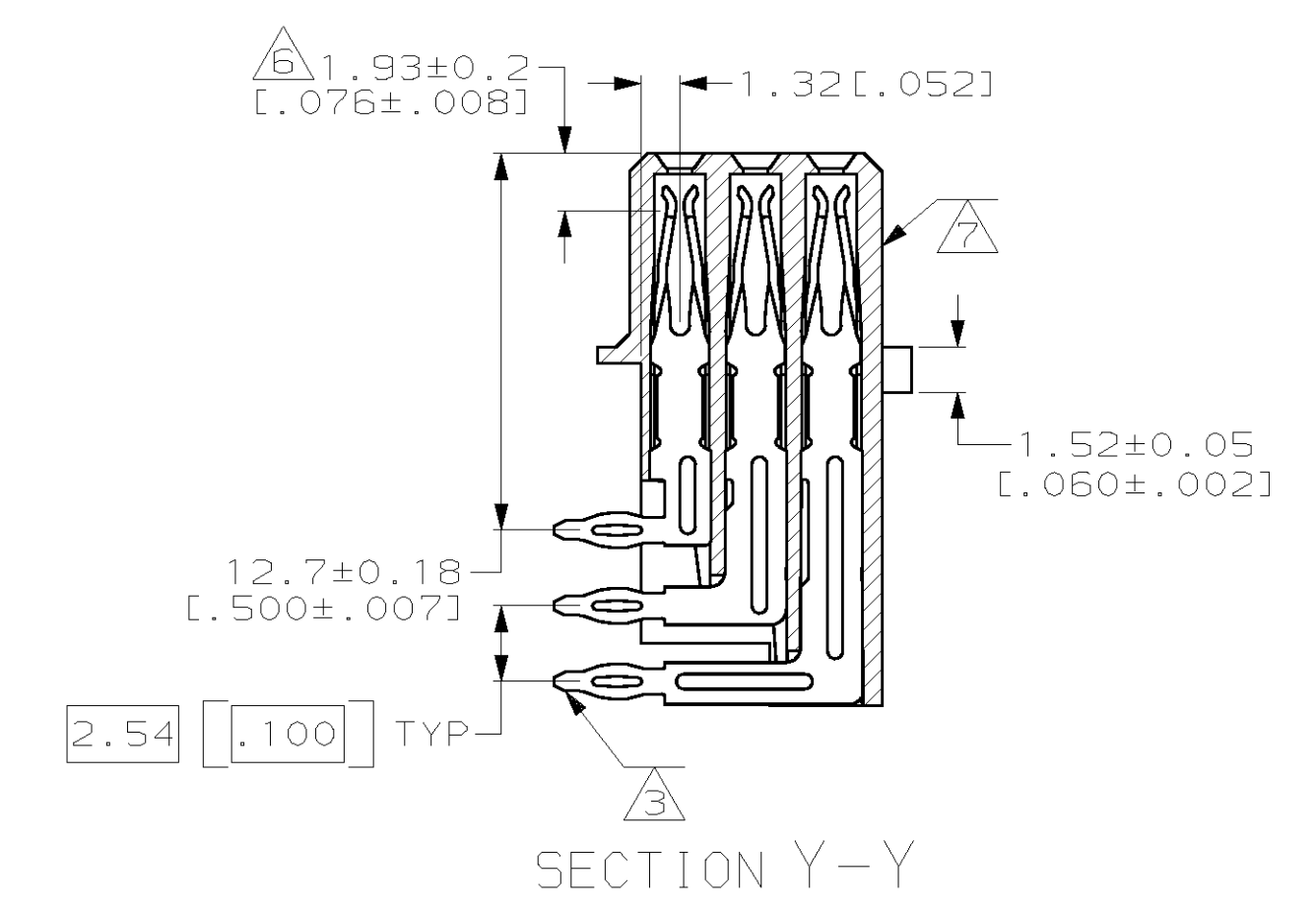
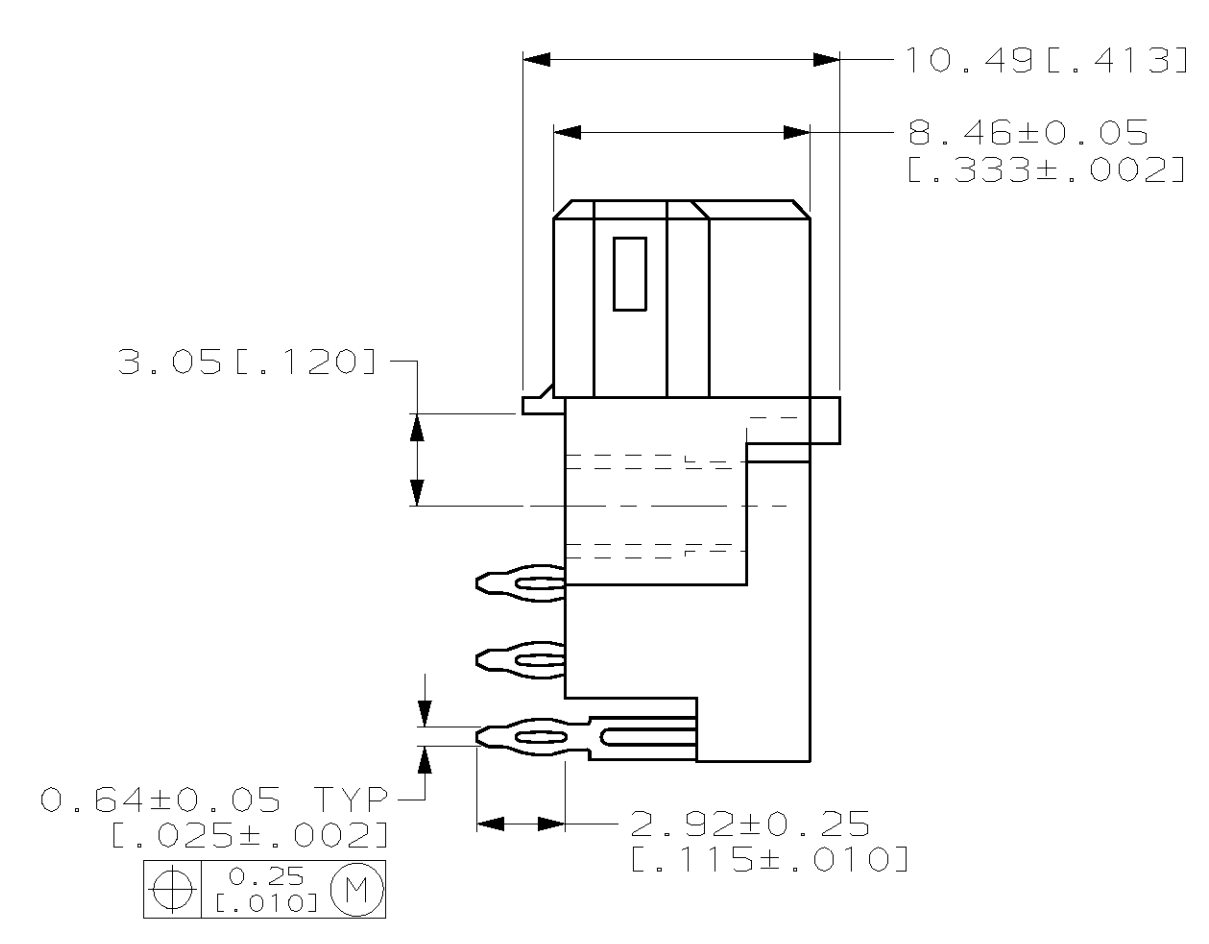
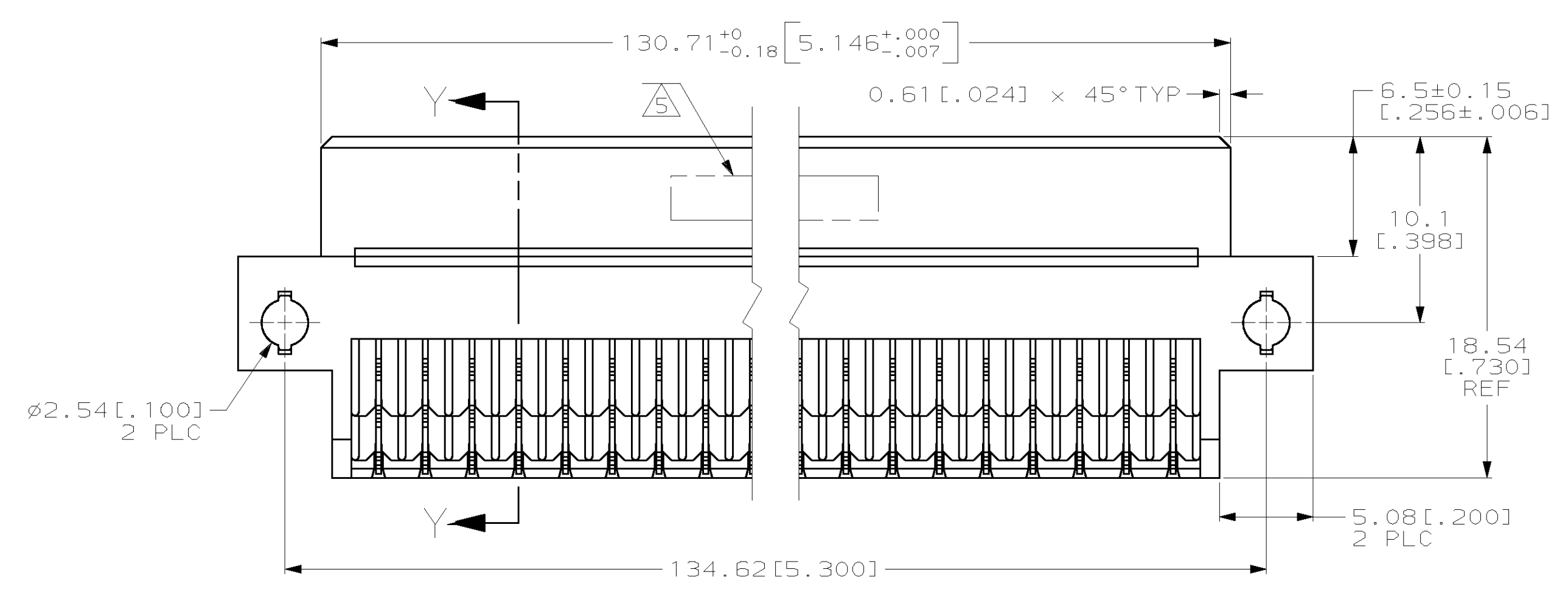


REVISONS		DATE	OWN	APVD
AD	25			
0	DRAWN; WAS 96-5653-056-1	-	-	-
A	EC 0504-0145-96	12/18/96	LSB	RAP
B	EC 0504-0058-97	4/10/97	LSB	RAP
C	REV PER EC 0621-50-99	26 MAY 99	BC	CR



- △ HOUSING MATERIAL: GLASS-FILLED POLYESTER. COLOR: GRAY.
- △ CONTACT MATERIAL: PHOSPHOR BRONZE.
- △ CONTACT FINISH: DIN 41612 CLASS 2 IN CONTACT AREA. TIN-LEAD PLATE ON POSTS.
- △ COMPLIANT PIN REQUIRES 1.57 [.062] MINIMUM THICK PC BOARD. RECOMMENDED PC BOARD HOLES ARE  $\phi 1.151 \pm 0.025$  [.0453±.0010] DRILLED HOLES WITH 0.02-0.08 [.001-.003] COPPER AND 0.008 [.0003] MINIMUM TIN-LEAD PLATING. FINISHED HOLES AFTER PLATING,  $\phi 0.94-1.09$  [.037-.043].
- △ PART NUMBER, DATE CODE IDENTIFICATION, CSA LOGO HOT-STAMPED THIS APPROXIMATE AREA.
- △ CONTACT POINT.
- △ HOT-STAMPING ON THIS SIDE.



148295-5  
PART NUMBER

THIS DRAWING IS A CONTROLLED DOCUMENT.		DWN L. BRINER 9/5/96	AMP Incorporated Harrisburg, PA 17105-3608
DIMENSIONS: mm (INCHES)		CHK R. PATTERSON 9/5/96	
TOLERANCES UNLESS OTHERWISE SPECIFIED:		APVD R. PATTERSON 9/5/96	NAME RECEPTACLE ASSEMBLY, EUROCARD, TYPE R, PRESS-FIT, 150 POSITION
0 PLC ± 1 PLC ± 2 PLC ±0.13 (.005) 3 PLC ± 4 PLC ± DIMENSIONS ±		PRODUCT SPEC	SIZE A1
MATERIAL: HOUSING: △ POST: △		FINISH: -	APPLICATION SPEC
WEIGHT		CAGE CODE 00779	DRAWING NO 148295
CUSTOMER DRAWING		SCALE 4:1	SHEET 1 OF 1 REV C