



COMMON MODE CHOKES

ALFT -01, -02 SERIES

STANDARD SPECIFICATIONS

Part Number	L ^{1,2} mH	Turns Ratio (±2%)	DCR W (MAX)	IAC A (MAX)	HIPOT V _{RMS} (MIN)
ALFT-01-35	35.0	1 : 1	2.5	0.5	2400
ALFT-01-20	20.0	1 : 1	1.5	0.7	2400
ALFT-01-15	15.0	1 : 1	1.2	0.8	2400
ALFT-01-10	10.0	1 : 1	1.0	1.0	2400
ALFT-01-4.5	4.5	1 : 1	0.4	1.5	2400
ALFT-01-2.5	2.5	1 : 1	0.4	2.0	2400

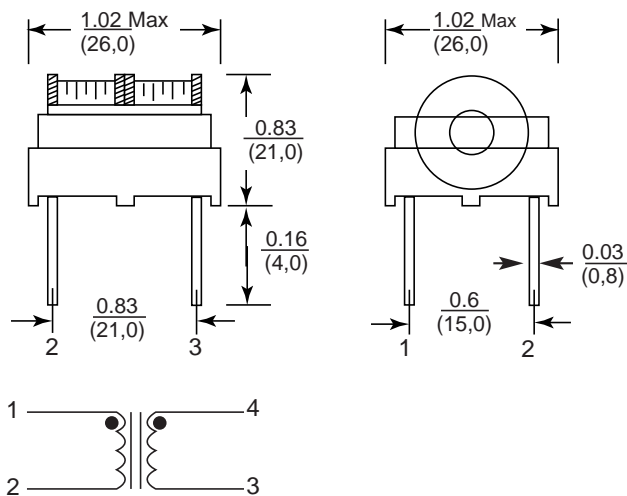
Part Number	L ^{1,2} mH	Turns Ratio (±2%)	DCR W (MAX)	IAC A (MAX)	HIPOT V _{RMS} (MIN)
ALFT-02-1	0.4	1 : 1	0.06	2.6	1500
ALFT-02-2	1.0	1 : 1	0.10	2.0	1500
ALFT-02-3	3.4	1 : 1	0.17	2.0	1500
ALFT-02-4	6.8	1 : 1	0.28	1.2	1500
ALFT-02-5	10	1 : 1	0.55	0.7	1500
ALFT-02-6	16	1 : 1	0.85	0.5	1500
ALFT-02-7	28	1 : 1	1.85	0.4	1500
ALFT-02-8	39	1 : 1	1.90	0.4	1500

NOTES:

1. Inductance (L) measured @ 1KHz, 0.1V_{RMS} at 0 DC
2. Inductance (L) tolerance: Minimum value stated
3. Operating temperature: -40°C to 125°C
4. Dimensions: inches / mm; see spec sheet for tolerance limits
5. Specifications subject to change without notice

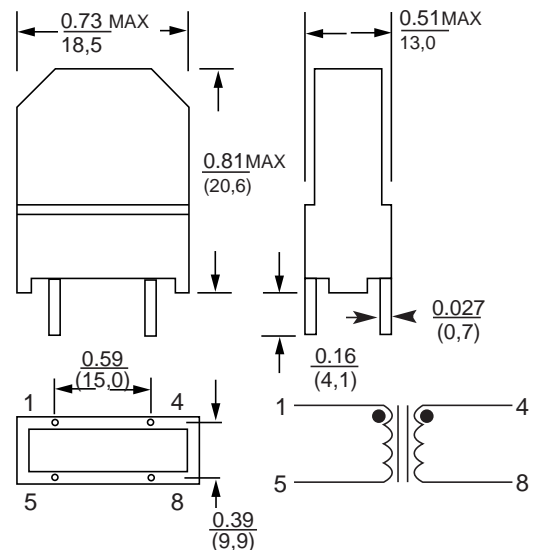
ALFT-01

PHYSICAL CHARACTERISTICS ⁴



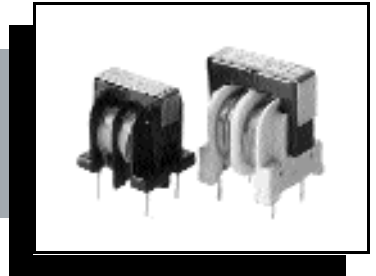
ALFT-02

PHYSICAL CHARACTERISTICS ⁴



COMMON MODE CHOKES

ALFT -03 SERIES



STANDARD SPECIFICATIONS

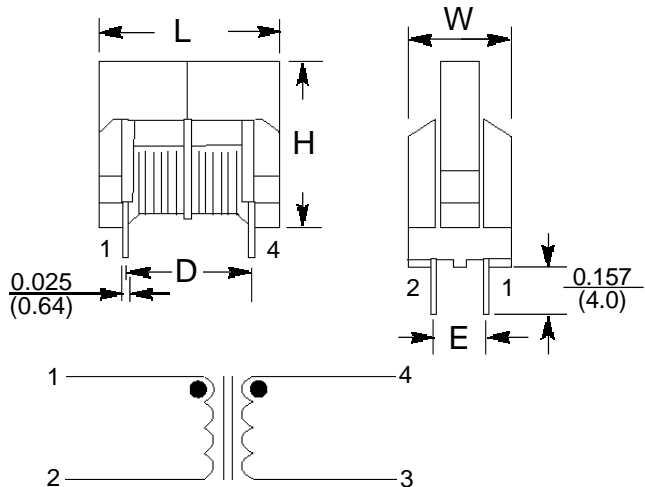
Part Number ⁶	L ^{1,2} mH	IAC A (MAX)	Part Number ⁶	L ^{1,2} mH	IAC A (MAX)	Part Number ⁶	L ^{1,2} mH	IAC A (MAX)
ALFT-03A-1	105	0.2	ALFT-03B-1	80.0	0.4	ALFT-03C-1	70.0	0.6
ALFT-03A-2	45	0.3	ALFT-03B-2	50.0	0.5	ALFT-03C-2	43.0	0.8
ALFT-03A-3	26	0.4	ALFT-03B-3	35.0	0.6	ALFT-03C-3	28.0	1.0
ALFT-03A-4	19	0.5	ALFT-03B-4	20.0	0.8	ALFT-03C-4	14.0	1.5
ALFT-03A-5	12	0.6	ALFT-03B-5	15.0	1.0	ALFT-03C-5	7.0	2.0
ALFT-03A-6	10	0.7	ALFT-03B-6	9.5	1.2	ALFT-03C-6	3.0	3.0
ALFT-03A-7	7.0	0.8	ALFT-03B-7	6.0	1.6	ALFT-03C-7	1.5	4.0
ALFT-03A-8	5.5	1.0	ALFT-03B-8	4.2	2.0			
ALFT-03A-9	4.0	1.1	ALFT-03B-9	2.4	2.5			
ALFT-03A-10	2.7	1.3	ALFT-03B-10	1.4	3.2			
ALFT-03A-11	2.1	1.5						
ALFT-03A-12	1.7	1.7						
ALFT-03A-13	1.0	2.2						
ALFT-03A-14	0.6	3.0						

NOTES:

1. Inductance (L) measured @ 1KHz, 0.1V_{RMS} at 0 DC
2. Inductance (L) tolerance: Minimum
3. Operating temperature: -40°C to 125°C
4. Turns ratio: 1:1 ±2%
5. Dimensions: inches / mm; see spec sheet for tolerance limits
6. Specifications subject to change without notice

PHYSICAL CHARACTERISTICS ⁵

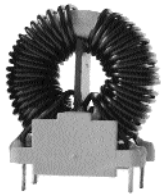
	ALFT-03A	ALFT-03B	ALFT-03C
L	0.9 ± 0.1 (22,7)	1.08 ± 0.1 (27,5)	1.26 ± 0.1 (32,0)
W	0.6 ± 0.1 (15,0)	0.71 ± 0.1 (18,0)	0.79 ± 0.1 (20,0)
H	0.85 ± 0.1 (21,5)	1.04 ± 0.1 (26,5)	1.14 ± 0.1 (29,0)
D	0.51 ± 0.02 (13,0)	0.56 ± 0.02 (14,2)	0.77 ± 0.02 (19,5)
E	0.4 ± 0.02 (10,0)	0.4 ± 0.02 (10,0)	0.43 ± 0.02 (11,0)



ABRACON IS
ISO 9001 / QS 9000
CERTIFIED

29 Journey • Aliso Viejo, CA 92656 • USA
(949) 448-7070 • Fax: (949) 448-8484
E-MAIL: abinfo@abracon.com • INTERNET ADDRESS: www.abracon.com





COMMON MODE CHOKES

ALFT -04, -05 SERIES

STANDARD SPECIFICATIONS

Part Number	L ^{1,2} mH	Turns Ratio (±2%)	DCR mΩ (MAX)	IAC A (MAX)	HIPOT V _{RMS} (MIN)
ALFT-04-1	0.24	1 : 1	5.0	20	2000
ALFT-04-2	0.30	1 : 1	6.0	20	2000
ALFT-04-3	0.50	1 : 1	7.0	18	2000
ALFT-04-4	1.00	1 : 1	10.0	16	2000
ALFT-04-5	2.00	1 : 1	13.0	15	2000
ALFT-04-6	3.00	1 : 1	16.0	14	2000
ALFT-04-7	4.50	1 : 1	20.0	13	2000
ALFT-04-8	7.00	1 : 1	30.0	10	2000
ALFT-04-9	10.00	1 : 1	40.0	8	2000

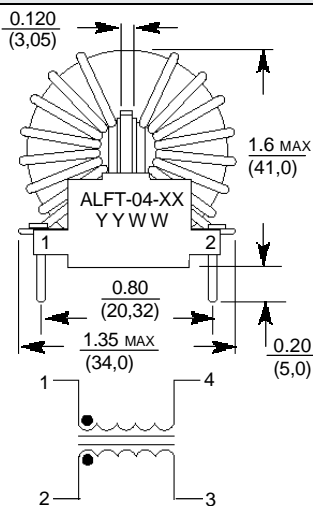
Part Number	L ^{1,2} mH	Turns Ratio (±2%)	DCR mΩ (MAX)	IAC A (MAX)	HIPOT V _{RMS} (MIN)
ALFT-05-1	9.00	1 : 1	1.10	0.50	3750
ALFT-05-2	4.00	1 : 1	0.40	0.75	3750
ALFT-05-3	3.00	1 : 1	0.30	1.00	3750
ALFT-05-4	2.00	1 : 1	0.20	1.30	3750
ALFT-05-5	1.00	1 : 1	0.11	1.50	3750
ALFT-05-6	0.70	1 : 1	0.07	2.00	3750
ALFT-05-7	0.50	1 : 1	0.05	2.50	3750
ALFT-05-8	0.30	1 : 1	0.03	3.00	3750
ALFT-05-9	0.20	1 : 1	0.02	4.00	3750

NOTES:

1. Inductance (L) measured @ 1KHz, 0.1V_{RMS} at 0 DC
2. Inductance (L) tolerance: ±20%
3. Operating temperature: -40°C to 125°C
4. Dimensions: inches / mm; see spec sheet for tolerance limits
5. Specifications subject to change without notice

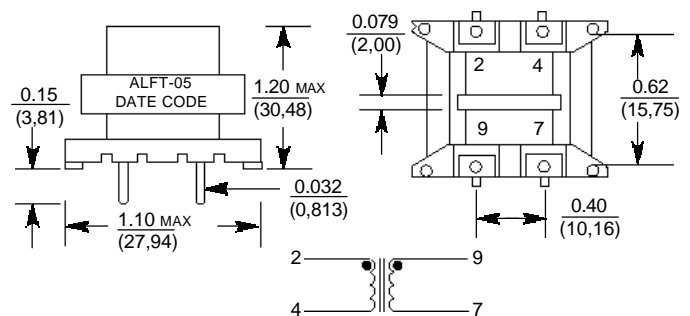
ALFT-04

PHYSICAL CHARACTERISTICS ⁴



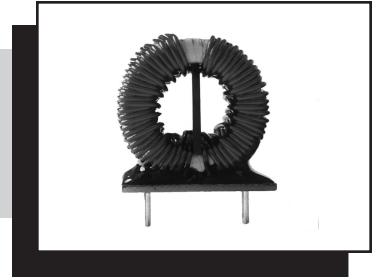
ALFT-05

PHYSICAL CHARACTERISTICS ⁴



COMMON MODE CHOKES

ALFT -06 SERIES



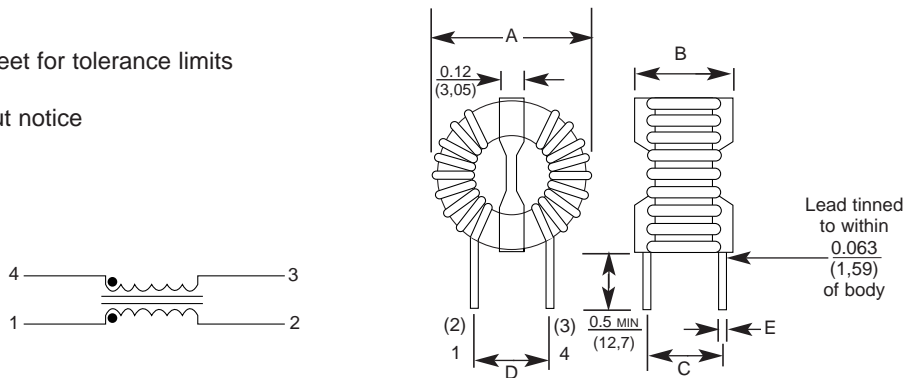
STANDARD SPECIFICATIONS

Part Number	L ^{1,2} mH	IAC A (MAX)	DCR W (MAX)	A ⁵ (MAX)	B ⁵ (MAX)	C ⁵	D ⁵	E ⁵
ALFT-06-601L-1	0.6	1	0.040	0.6 (15.2)	0.45 (11.4)	0.4 (10.2)	0.2 (5.1)	0.016 (0.41)
ALFT-06-102L-1	1.0	1	0.060	0.6 (15.2)	0.45 (11.4)	0.4 (10.2)	0.2 (5.1)	0.016 (0.41)
ALFT-06-202L-1	2.0	1	0.070	0.6 (15.2)	0.45 (11.4)	0.4 (10.2)	0.2 (5.1)	0.016 (0.41)
ALFT-06-302L-1	3.0	1	0.100	0.6 (15.2)	0.45 (11.4)	0.4 (10.2)	0.2 (5.1)	0.016 (0.41)
ALFT-06-502L-1	5.0	1	0.125	0.6 (15.2)	0.45 (11.4)	0.4 (10.2)	0.2 (5.1)	0.016 (0.41)
ALFT-06-601L-2	0.6	2	0.030	0.6 (15.2)	0.45 (11.4)	0.4 (10.2)	0.2 (5.1)	0.020 (0.51)
ALFT-06-102L-2	1.0	2	0.040	0.6 (15.2)	0.45 (11.4)	0.4 (10.2)	0.2 (5.1)	0.020 (0.51)
ALFT-06-202L-2	2.0	2	0.060	0.6 (15.2)	0.45 (11.4)	0.4 (10.2)	0.2 (5.1)	0.020 (0.51)
ALFT-06-302L-2	3.0	2	0.075	0.6 (15.2)	0.45 (11.4)	0.4 (10.2)	0.2 (5.1)	0.020 (0.51)
ALFT-06-601L-3	0.6	3	0.020	0.6 (15.2)	0.45 (11.4)	0.4 (10.2)	0.2 (5.1)	0.023 (0.58)
ALFT-06-102L-3	1.0	3	0.030	0.6 (15.2)	0.45 (11.4)	0.4 (10.2)	0.2 (5.1)	0.023 (0.58)
ALFT-06-102L-2.5	1.0	2.5	0.050	0.8 (20.3)	0.55 (14.0)	0.5 (12.7)	0.3 (7.6)	0.023 (0.58)
ALFT-06-202L-2.5	2.0	2.5	0.075	0.8 (20.3)	0.55 (14.0)	0.5 (12.7)	0.3 (7.6)	0.023 (0.58)
ALFT-06-302L-2.5	3.0	2.5	0.085	0.8 (20.3)	0.55 (14.0)	0.5 (12.7)	0.3 (7.6)	0.023 (0.58)
ALFT-06-502L-2	5.0	2	0.110	0.8 (20.3)	0.55 (14.0)	0.5 (12.7)	0.3 (7.6)	0.023 (0.58)
ALFT-06-802L-2	8.0	2	0.200	0.8 (20.3)	0.55 (14.0)	0.5 (12.7)	0.3 (7.6)	0.023 (0.58)
ALFT-06-102L-5	1.0	5	0.035	0.8 (20.3)	0.55 (14.0)	0.5 (12.7)	0.3 (7.6)	0.030 (0.76)
ALFT-06-202L-5	2.0	5	0.040	1.2 (30.5)	0.80 (20.3)	0.7 (17.8)	0.4 (10.2)	0.030 (0.76)
ALFT-06-502L-4	5.0	4	0.046	1.2 (30.5)	0.80 (20.3)	0.7 (17.8)	0.4 (10.2)	0.030 (0.76)
ALFT-06-802L-4	8.0	4	0.046	1.2 (30.5)	0.80 (20.3)	0.7 (17.8)	0.4 (10.2)	0.030 (0.76)
ALFT-06-503L-2	50	2	0.200	1.2 (30.5)	0.80 (20.3)	0.7 (17.8)	0.4 (10.2)	0.023 (0.58)
ALFT-06-303L-4	30	4	0.130	1.2 (30.5)	0.80 (20.3)	0.7 (17.8)	0.4 (10.2)	0.030 (0.76)
ALFT-06-113L-5	11	5	0.072	1.2 (30.5)	0.80 (20.3)	0.7 (17.8)	0.4 (10.2)	0.026 (0.66)
ALFT-06-302L-10	3.0	10	0.020	1.2 (30.5)	0.80 (20.3)	0.7 (17.8)	0.4 (10.2)	0.046 (1.17)

NOTES:

- Inductance (L) measured @ 1KHz, 0.1VRMS at 0 DC
- Inductance (L) tolerance: K ±10%, L ±15%
- Operating temperature: -55°C to 105°C
- Hipot: 3,750 VRMS for 1 minute
- Dimensions: inches / mm; see spec sheet for tolerance limits
- Turns ratio: 1:1 ±2%
- Specifications subject to change without notice

PHYSICAL CHARACTERISTICS ⁵



ABRACON IS
ISO 9001 / QS 9000
CERTIFIED

29 Journey • Aliso Viejo, CA 92656 • USA
(949) 448-7070 • Fax: (949) 448-8484
E-MAIL: abinfo@abracon.com • INTERNET ADDRESS: www.abracon.com

ABRACON
CORPORATION