

THIS DRAWING IS UNPUBLISHED.

RELEASED FOR PUBLICATION

ALL RIGHTS RESERVED.

LOC AI DIST -

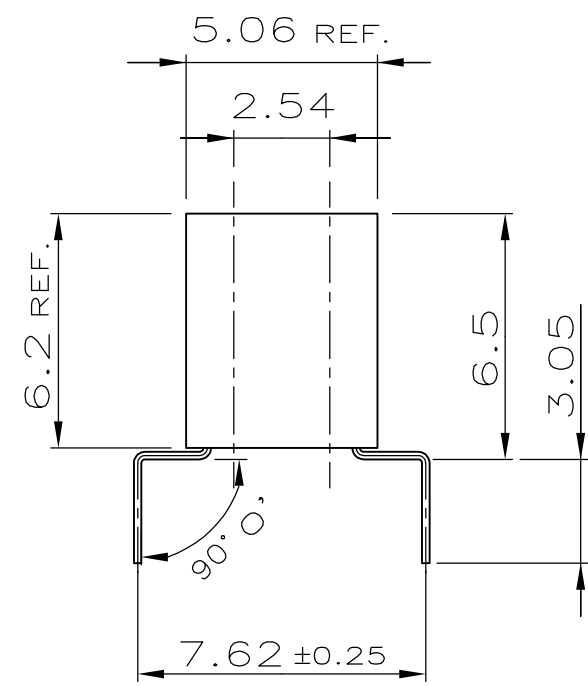
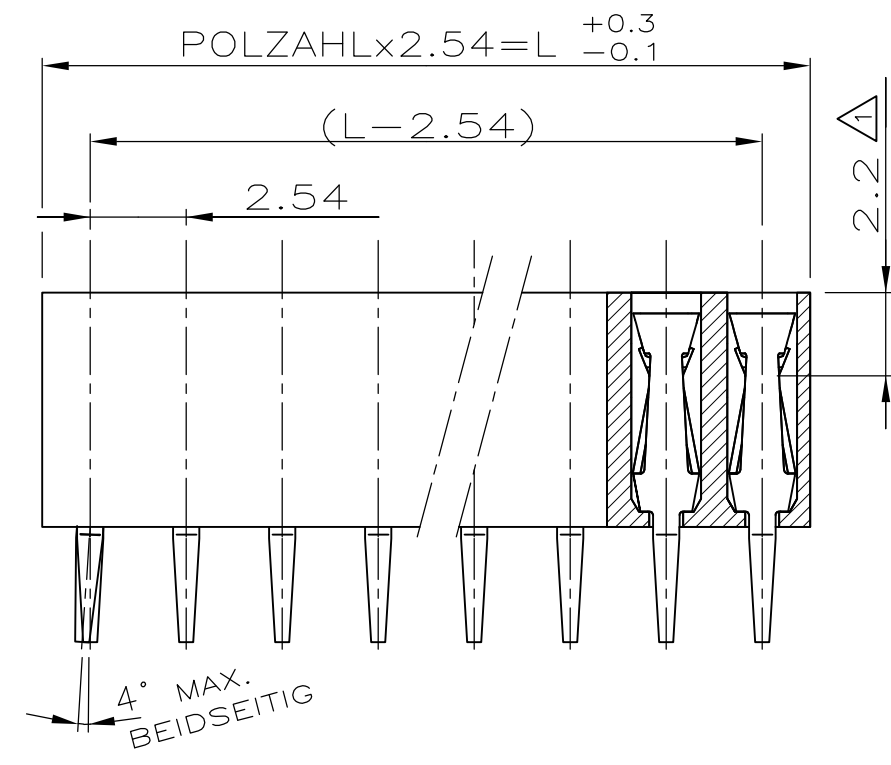
REVISIONS

P	LTR	DESCRIPTION	DATE	DWN	APVD
C		TOLERANZ +/-0.25 BEI MASS 7.62 HINZU	30-JAN-02	Mohnke	Zitz
B1		REVISED PER ECO-09-024717	06NOV09	KK	AEG
B2		ECR-10-026307	13JAN11	KK	HMR

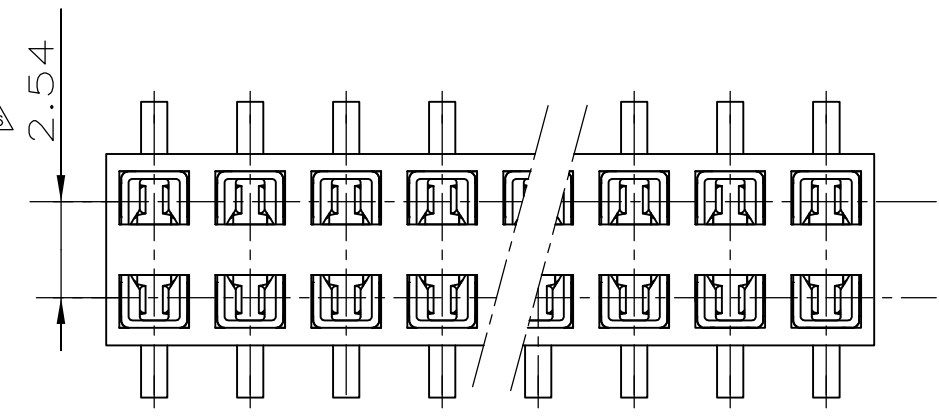
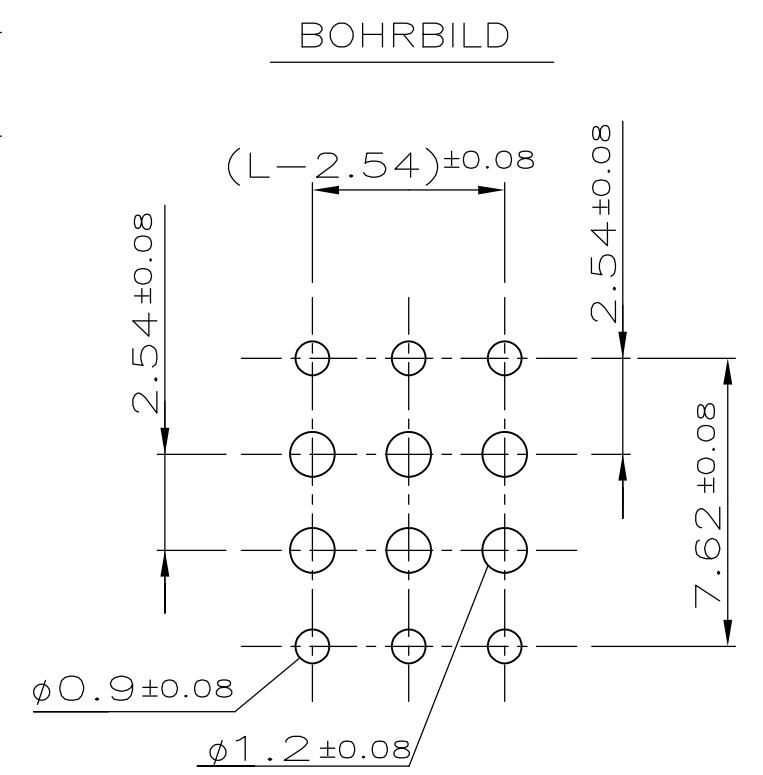
WAR NR. 88-52 562
 PASSEND ZU _

VERWENDET FÜR
 E-90-52 538

POLZ. PRO REIHE	L +0.3 -0.1	BESTELL-NR.	
-	-	-	
2	5.08	829 576-2	
3	7.62	-3	
4	10.16	-4	OBSOLETE
5	12.70	-5	OBSOLETE
6	15.24	-6	OBSOLETE
7	17.78	-7	
8	20.32	-8	
9	22.86	-9	
10	25.40	1-	
11	27.94	-1	OBSOLETE
12	30.48	1-	
13	33.02	-1	OBSOLETE
14	35.56	-1	OBSOLETE
15	38.10	1-	
16	40.64	-1	OBSOLETE
17	43.18	1-	
18	45.72	1-	
19	48.26	1-	
20	50.80	2-	
21	53.34	-2	OBSOLETE
22	55.88	-2	OBSOLETE
23	58.42	-2	OBSOLETE
24	60.96	-2	OBSOLETE
25	63.50	-2	OBSOLETE
26	66.04	-2	OBSOLETE
27	68.58	-2	OBSOLETE
28	71.12	-2	OBSOLETE
29	73.66	-2	OBSOLETE
30	76.20	3-	
31	78.74	-3	OBSOLETE
32	81.28	-3	OBSOLETE
33	83.82	-3	OBSOLETE
34	86.36	-3	OBSOLETE
35	88.90	3-	
36	91.44	-3	OBSOLETE



- 1 KONTAKTPUNKT
- 2 MIN. 2.5µm ZINN
- 3 EMPFOHLENE LEITERPLATTENDICKE 1.6mm
- 4 STECKBAR MIT MODU II STIFTEN ϕ/\square 0.63
- 5 HV100 BUCHSENSTECKER VERPACKT IN ANTI-STATISCHEM BLISTER
- 6 OBSOLETE PARTS: OBSOLETE CIS STREAMLINING PER D.RENAUD/D.SINISI



ZEICHNUNG GÜLTIG AB KW 06/96

THIS DRAWING IS A CONTROLLED DOCUMENT.

DWN	A.HO	03.04.90
CHK	M.SCHAARSCHMIDT	-
APVD	-	-
PRODUCT SPEC	-	-
APPLICATION SPEC	-	-
WEIGHT	-	-



HV 100 BUCHSENSTECKER
ZWEIREIHIG, 6.2mm HOCH, ZINN

DIMENSIONS:	TOLERANCES UNLESS OTHERWISE SPECIFIED:
mm	±0.2mm
	0 PLC ± -
	1 PLC ± -
	2 PLC ± -
	3 PLC ± -
	4 PLC ± -
	ANGLES ± 3'
MATERIAL	FINISH

BESTELL-NR.	POS.	STÜCK	BENENNUNG EINZELTEIL	WERKSTOFF	OBERFLÄCHE FARBE
-	-	-	HV 100 KONTAKT	CuSn	2
-	-	-	HV 100 GEHÄUSE	PBTP GV	GRÜN

SIZE	CAGE CODE	DRAWING NO	RESTRICTED TO
A3	00779	C-829576	-
CUSTOMER DRAWING		SCALE	SHEET
		5:1	1 OF 1
		REV	B2