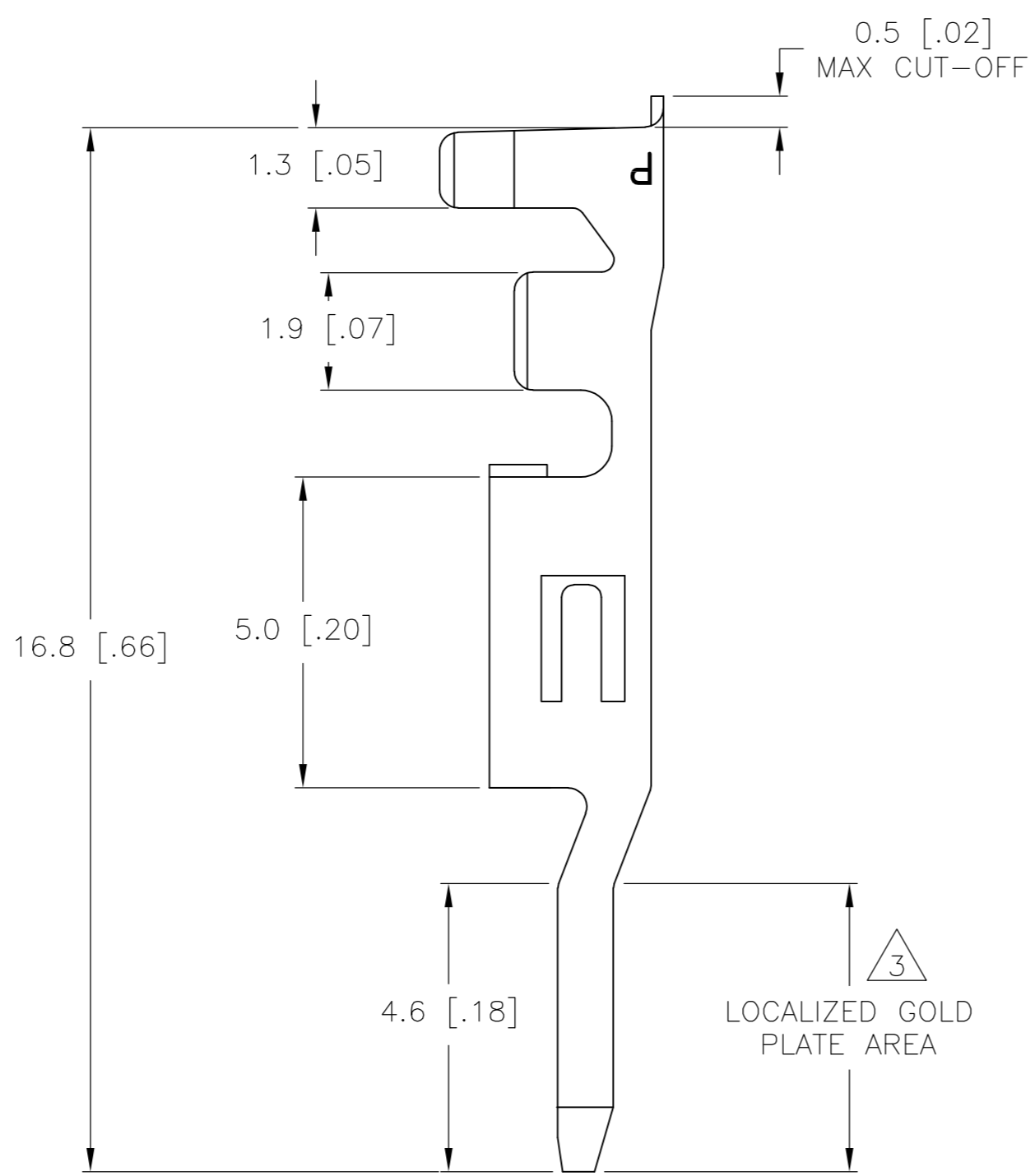
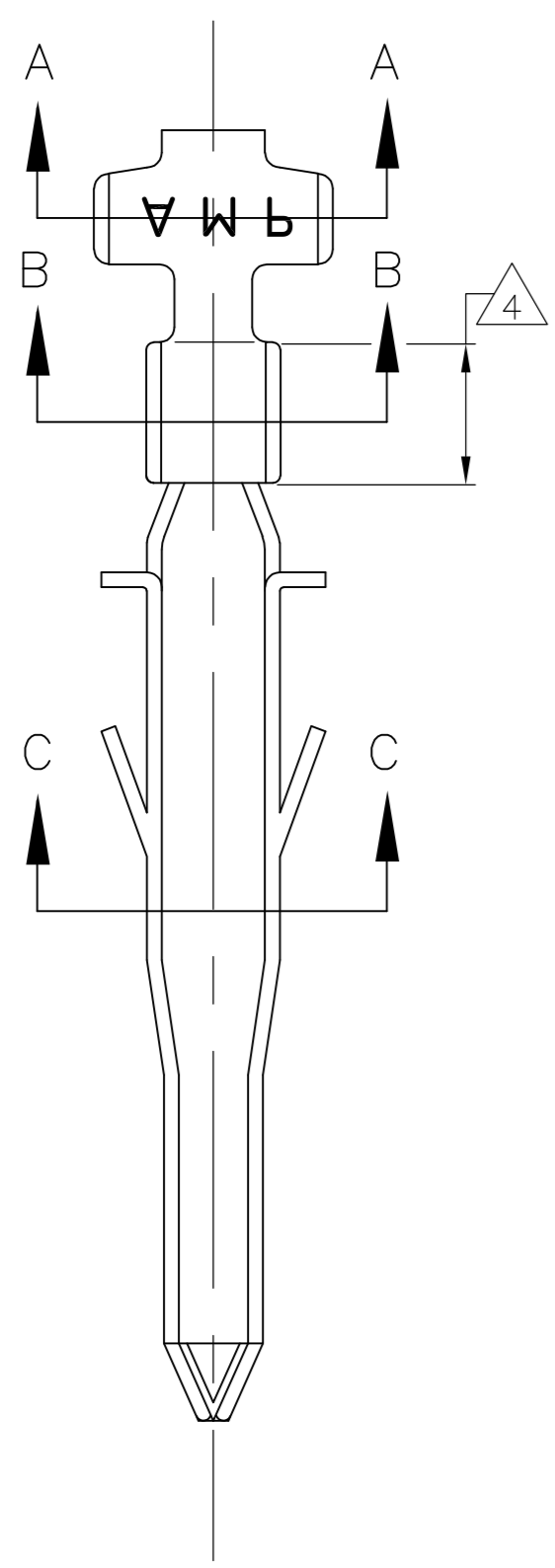
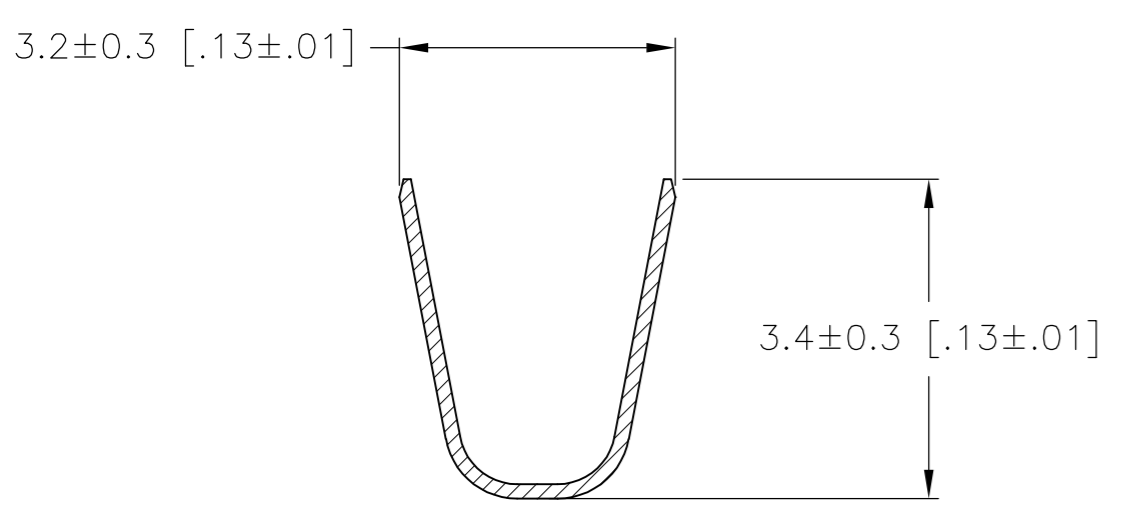


THIS DRAWING IS UNPUBLISHED. RELEASED FOR PUBLICATION
 © COPYRIGHT - By - ALL RIGHTS RESERVED.

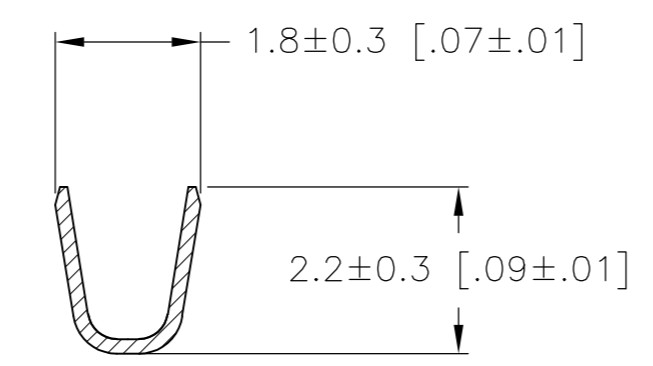
LOC	DIST	REVISIONS					
CM	00	P	LTR	DESCRIPTION	DATE	DWN	APVD
		A1		REVISED PER ECO-11-004917	11MAR11	RK	HMR



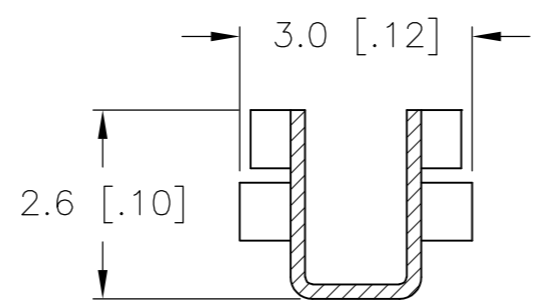
- 1 WIRE RANGE: 0.13–0.32mm² (26–22 AWG).
- 2 INSULATION RANGE: 1.20–1.75 DIA.
- 3 FINISH: 0.76μm MINIMUM GOLD IN LOCALIZED GOLD PLATE AREA OVER 1.27μm MINIMUM NICKEL
- 4 FINISH: 2.54μm MINIMUM TIN IN LOCALIZED TIN PLATE AREA.



SECTION A-A



SECTION B-B



SECTION C-C

3 4	PHOS. BRZ.	1586316-4
PRE-TIN	PHOS. BRZ.	1586316-3
3 4	BRASS	1586316-2
PRE-TIN	BRASS	1586316-1
FINISH:	MATERIAL:	PART NO.

DIMENSIONS:		TOLERANCES UNLESS OTHERWISE SPECIFIED:		APVD		NAME	
mm	[INCHES]	0 PLC	±	DWN	S. HOOVER	14-OCT-2003	
		1 PLC	± 0.3[.01]	CHK	D. COLEY	14-OCT-2003	
		2 PLC	± 0.15 [.006]	APVD	D. COLEY	14-OCT-2003	
		3 PLC	± 0.050 [.0020]	PRODUCT SPEC	D. COLEY	14-OCT-2003	
		4 PLC	±	APPLICATION SPEC			SIZE A2
MATERIAL	FINISH	WEIGHT		CAGE CODE	00779	DRAWING NO	RESTRICTED TO -
		CUSTOMER DRAWING		SCALE	10:1	SHEET	1 of 1
				REV	A1		