

M20 Connectors

2.54mm (.100") PITCH

Female Crimp Contacts, Polarising Key

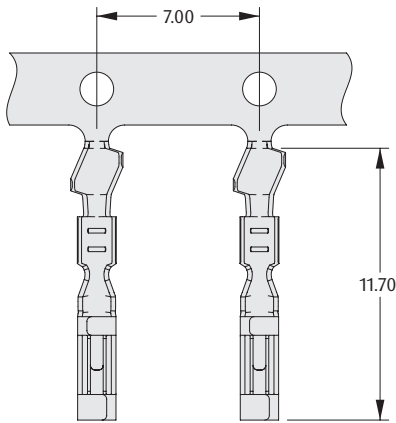
- Loose or reeled contacts.
- Open crimp design, ideal for automation.
- Use with female crimp housings shown on previous page.



CONTACTS

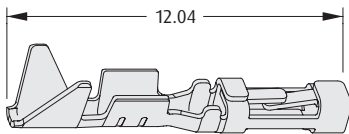
Reeled (continuous strip)

- Order code is for one reel of 10,000 contacts.



Loose (cropped)

- Order code is for one pack of 100 contacts.



HAND CRIMP TOOL

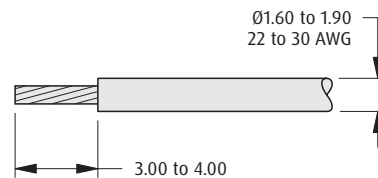
- Instruction sheet is available at www.harwin.com/instructions.
- For use with loose contacts.



ORDER CODE

Z20-320

WIRE STRIPPING DETAILS



HOW TO ORDER

M20 - 11 X 00 XX

SERIES CODE

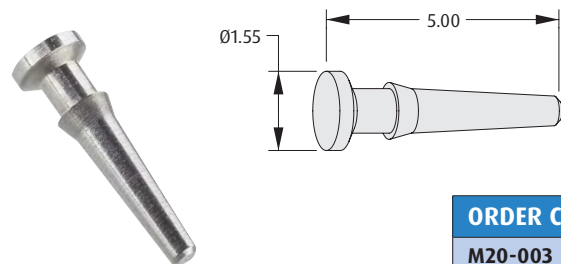
TYPE

6	Reeled Contacts
8	Loose Contacts

FINISH

42	Gold + Tin
46	Tin

POLARISING KEY



ORDER CODE

M20-003

All dimensions in mm.