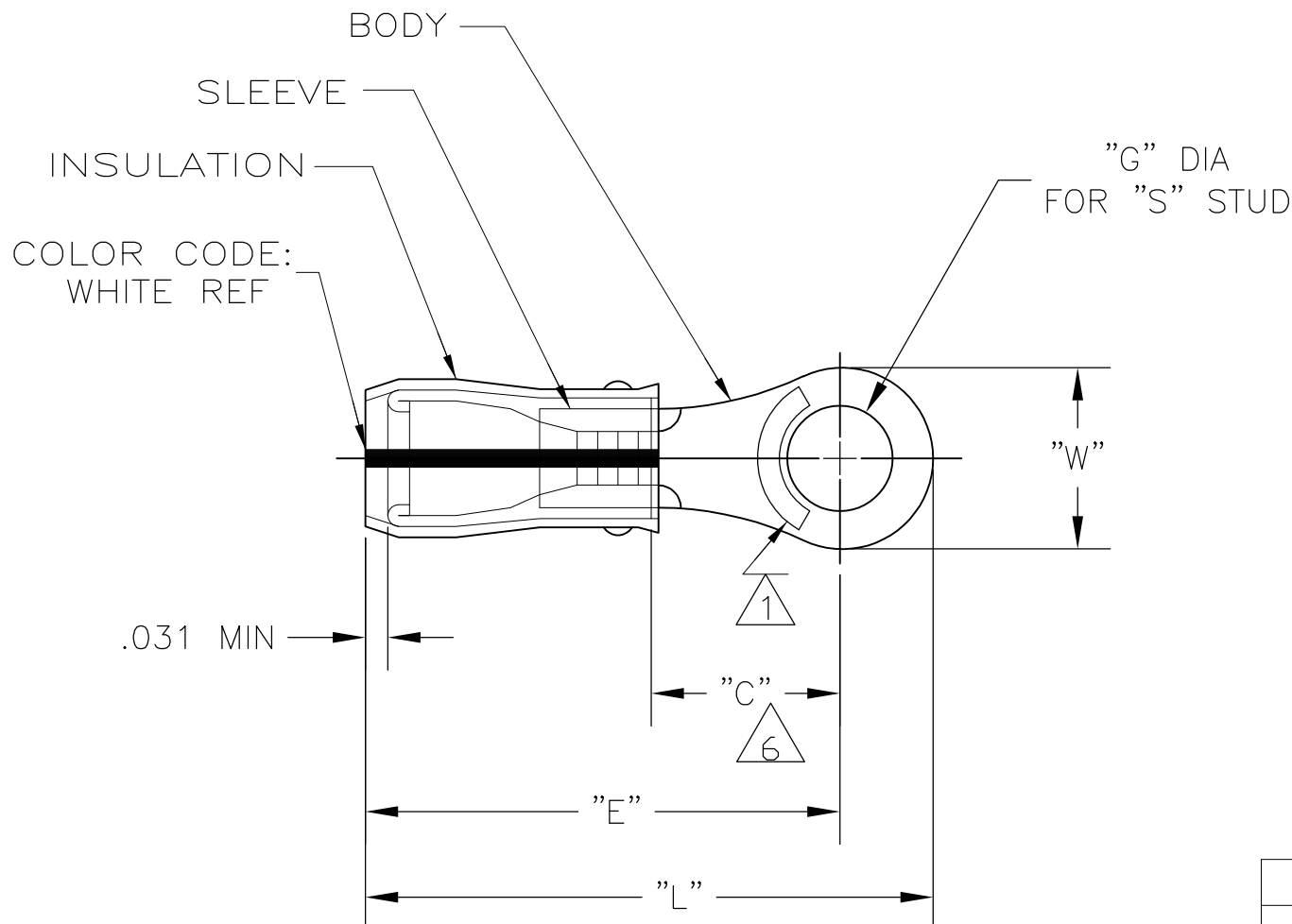


THIS DRAWING IS UNPUBLISHED. RELEASED FOR PUBLICATION
 © COPYRIGHT - BY TYCO ELECTRONICS CORPORATION. ALL RIGHTS RESERVED.

LOC	DIST	REVISIONS					
G	14	P	LTR	DESCRIPTION	DATE	DWN	APVD
			F4	REV PER ECR 09-022345	12OCT09	JR	TM



- 1 STAMP AMP 24-20* APPROX AS SHOWN
- 2 WIRE INSULATION DIA: .040-.100
- 3 TONGUE MATERIAL THK: .023±.002
- 4 BODY & SLEEVE: TIN-LEAD (93-7) PLATE PER ASTM B545, (3% MIN LEAD CONTENT)
- 5 BODY & SLEEVE- CU PER ASTM B152 INSULATION - PVF2, COLOR - NATURAL
- 6 APPLIES FROM EDGE OF METAL WIRE BARREL TO CENTER OF STUD HOLE.
- 7 OBSOLETE - NO REPLACEMENT

.312	.281 MIN	.662 MAX	.197±.003	#10	.826 MAX	2500	TAPE & REEL	53809-8	7
.312	.281 MIN	.662 MAX	.171±.003	#8	.826 MAX	2500	TAPE & REEL	53809-7	7
.312	.281 MIN	.662 MAX	.197±.003	#10	.826 MAX	1000	LOOSE PIECE	53809-6	
.312	.281 MIN	.662 MAX	.171±.003	#8	.826 MAX	1000	LOOSE PIECE	53809-5	
.281	.250 MIN	.631 MAX	.145±.003	#6	.779 MAX	2500	TAPE & REEL	53809-4	7
.281	.250 MIN	.631 MAX	.119±.003	#4	.779 MAX	2500	TAPE & REEL	53809-3	7
.281	.250 MIN	.631 MAX	.145±.003	#6	.779 MAX	1000	LOOSE PIECE	53809-2	
.281	.250 MIN	.631 MAX	.119±.003	#4	.779 MAX	1000	LOOSE PIECE	53809-1	
"W"	"C"	"E"	"G" DIA	"S"	"L"	QTY	PACKAGE TYPE	PART NO	

CUSTOMER SERVICE SYSTEMS		MAX RECOMMENDED OPERATING TEMPERATURE: 150°C MAX	THIS DRAWING IS A CONTROLLED DOCUMENT.		DWN JR RUTH 28JUL05	Tyco Electronics Tyco Electronics Corporation Harrisburg, Pa 17105-3608	
FOR ADDITIONAL PRODUCT INFORMATION OR COPIES OF DRAWINGS AND TECHNICAL DOCUMENTS	PRODUCT INFORMATION CENTER 1-800-522-6752	VOLTAGE RATING: -	DIMENSIONS: INCHES	TOLERANCES UNLESS OTHERWISE SPECIFIED:	CHK T MICHELUTTI 28JUL05	NAME TERMINAL, RING TONGUE, PVF2, PIDG WIRE SIZE: 24-20 AWG	
FOR APPLICATION TOOLING INFORMATION	TOOLING ASSISTANCE CENTER 1-800-722-1111	CIRCULAR MIL AREA: 0.16-0.65mm ² [320-1,290] STRANDED		0 PLC ± - 1 PLC ± - 2 PLC ± - 3 PLC ± - 4 PLC ± - ANGLES ± -	APVD T MICHELUTTI 28JUL05	APPLICATION SPEC	SIZE A3
FOR ORDER ENTRY	1-800-526-5142	THIS DRAWING IS A CONTROLLED DOCUMENT FOR AMP INCORPORATED. IT IS SUBJECT TO CHANGE AND THE CONTROLLING ENGINEERING ORGANIZATION SHOULD BE CONTACTED FOR THE LATEST REVISION.	MATERIAL -	FINISH -	PRODUCT SPEC	RESTRICTED TO	CAGE CODE 00779
			5	4	WEIGHT -	DRAWING NO G-53809	SCALE 4:1
			CUSTOMER DRAWING		SHEET 1 OF 1		REV F4