

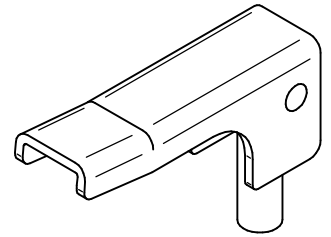
PART No. 1418QR

for more information visit

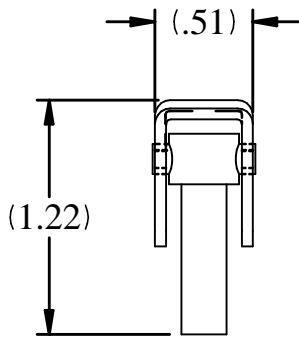
www.hammondmfg.com

Data subject to change without notice

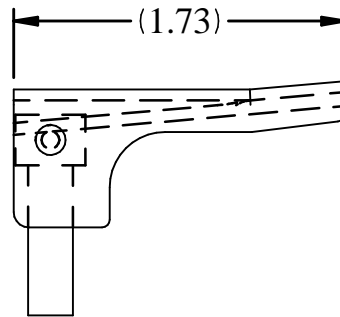
Isometric drawing Not to Scale



ISOMETRIC VIEW



FRONT VIEW



SIDE VIEW