

PART NAME: KNOB SCALE: 1:1 DATE: 8/22/85 DR. BY HD

THIS DRAWING IS THE PROPERTY OF DAVIES MOLDING COMPANY, IS SUBMITTED SOLELY AS A DESIGN OR ENGINEERING PROJECT.
WE ACCEPT NO RESPONSIBILITY WHATSOEVER FOR THE PRACTICAL APPLICATION OF THE PIECES MADE TO THIS DESIGN.

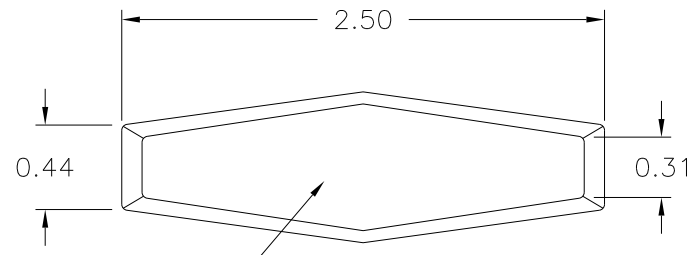


DESIGNERS & MANUFACTURERS
OF KNOBS, HANDLES, CASES &
CUSTOM PLASTIC COMPONENTS

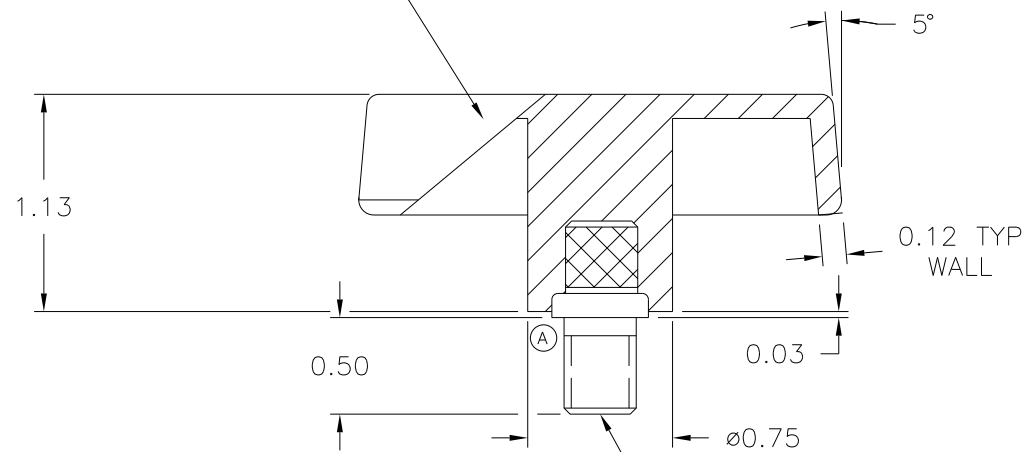
P/N 3088-F

M NO. # 30

CAVITY	3088
CORE	3088
BUSHING	3088-B
EJECT. PIN	3088
INSERT	10387



TEXTURED AREAS UP TO PARTING LINE (RE-6320)



3/8-16 UNC-2A THREADED
10387, STEEL, ZINC PLATED

(D) (C)
MATERIAL: NYLON 6/6 (ZY2), (ZY6)
OR ENGINEERING APPROVED EQUIVALENT
COLOR: BLACK

TOLERANCES: UNLESS OTHERWISE SPECIFIED	DO NOT SCALE DRAWING
DECIMALS: X.XXX ± .005 X.XX ± .015	MM: X.XX ± 0.15MM X.X ± 0.4MM
FRACTIONS ± 1/64	ANG. ± 1°

D	ADDED ZY6	JAM	7/13/12
C	ADDED MAT. CODE	JAM	1/2/07
B	10387 WAS 11501	RF	4/29/04
A	UPDATED INSERT ADDED SPACE	JAM	3/7/02
-	RE-DID REDRAW	TL	11/12/99
-	CAD REDRAW	HD	6/14/93

CHANGES