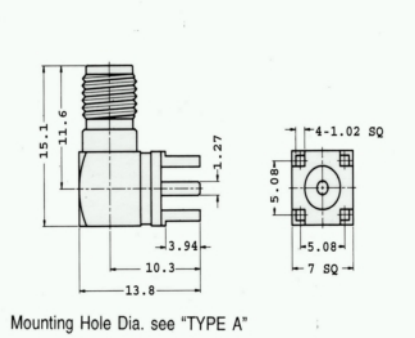
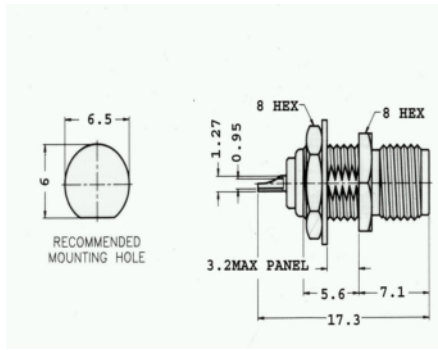


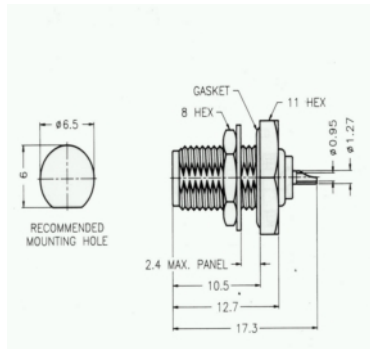
SMA Connectors



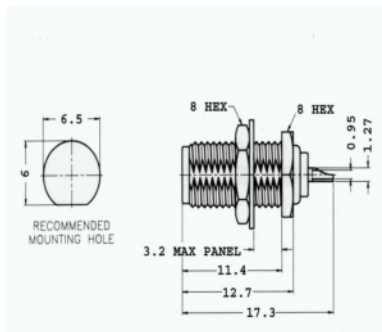
PC Board / Panel Mount Types
Right Angle PC Board Jack
P/N: 964A595



PC Board / Panel Mount Types
Bulkhead Jack
Front Mount
P/N: 926A515



PC Board / Panel Mount Types
Bulkhead Jack
Rear Mount, Large Flange
P/N: 921A 5114



PC Board / Panel Mount Types
Bulkhead Jack
Rear Mount, Small Flange
P/N: 921A504