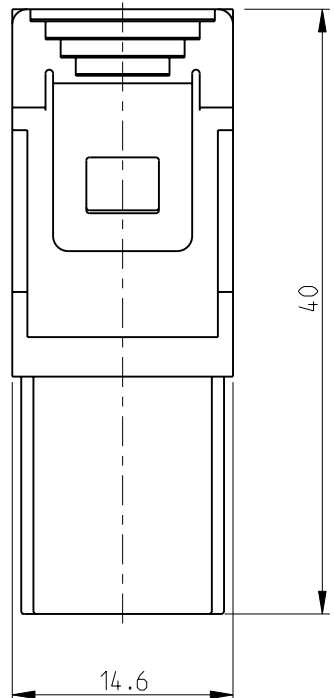
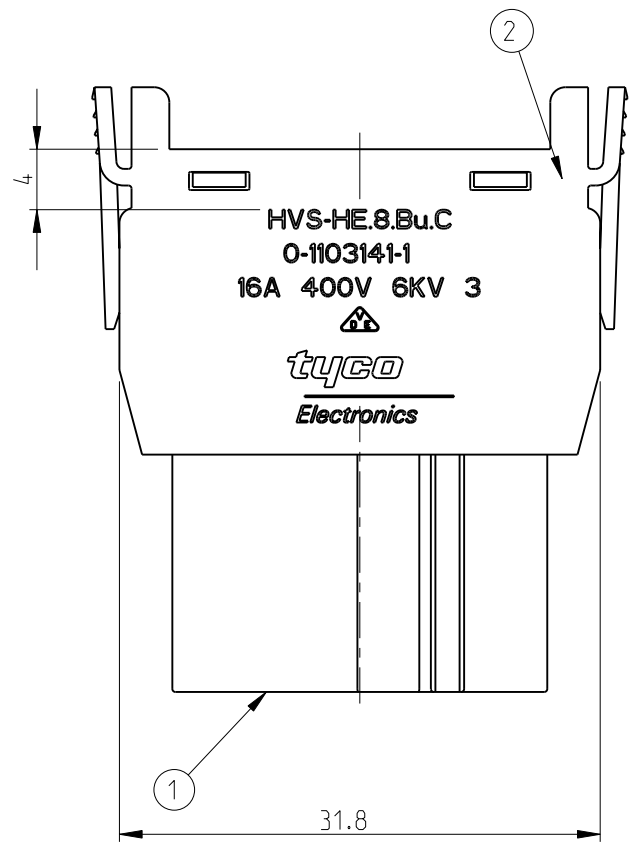
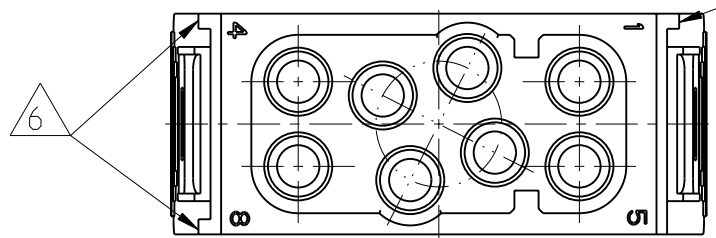


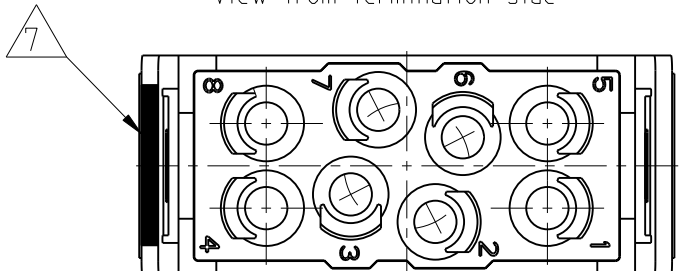
THIS DRAWING IS UNPUBLISHED. RELEASED FOR PUBLICATION 2000
 © COPYRIGHT 2000 BY TYCO ELECTRONICS CORPORATION. ALL RIGHTS RESERVED.

LOC	DIST	REVISIONS					
		P	LTR	DESCRIPTION	DATE	DWN	APVD
A1		B1		ECR-10-022648	02NOV2010	SR	OH

PN 0-1 As Shown
 Contact arrangement
 view from connecting side

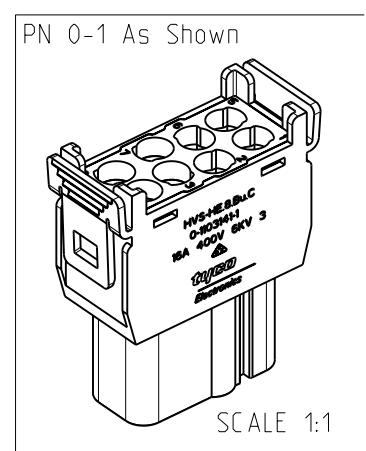


Contact arrangement
 view from termination side



NOTES

- SUITABLE CRIMP CONTACTS: SERIES HE/HA
 CUSTOMER DRAWING: 1105101
 OUTER DIMENSIONS OF INSULATION: MAX. Ø4.9mm
- SUITABLE MODULE FIXING FRAME: SERIES HVS SIZE 3 TO 8
 CUSTOMER DRAWING: 1103250
- SUITABLE INSERTION TOOL:
 CUSTOMER DRAWING: 0-1102855-6
- SUITABLE EXTRACTION TOOL:
 CUSTOMER DRAWING: 0-1102855-7
- STANDARDS:
 DIN EN 61984; DIN EN 60664-1
- △6 POLARIZATION RIPS
- △7 MARKING OF POLARIZATION ACCORDING TO MARKING OF MODULE FRAME
- PACKAGING:
 10 SETS IN A CARTON, PRE-MOUNTED



QTY	DESCRIPTION	MATERIAL	COLOR	ITEM NO
1	FEMALE INSERT HVS-HE.8	PC-GF20	LIGHT GREY	1
1	COVER FOR FEMALE INSERT	PC-GF20	LIGHT GREY	2
PN 0-1 / HVS-HE.8.BU.C				

THIS DRAWING IS A CONTROLLED DOCUMENT FOR TYCO ELECTRONICS CORPORATION IT IS SUBJECT TO CHANGE AND THE CONTROLLING ENGINEERING ORGANIZATION SHOULD BE CONTACTED FOR THE LATEST REVISION.		DWN 24.08.2005 M.SCHWEIGER CHK 23.08.2005 T.SCHNURPFEL APVD	Tyco Electronics Tyco Electronics AMP GmbH 53757 Sankt Augustin, Germany
DIMENSIONS: mm 	TOLERANCES UNLESS OTHERWISE SPECIFIED: ISO 8075 DIN 150.2768 mm-E DIN 15901-120 0 PLC ± 1 PLC ± 2 PLC ± 3 PLC ± 4 PLC ± ANGLES ±	PRODUCT SPEC 108-74073 APPLICATION SPEC 114-74073 WEIGHT	NAME FEMALE INSERT ASSY HVS-HE.8.BU.C SIZE CAGE CODE DRAWING NO RESTRICTED TO A3 00779 C=1103141
MATERIAL △9	FINISH △10	CUSTOMER DRAWING	SCALE 2:1 SHEET 1 OF 1 REV B1