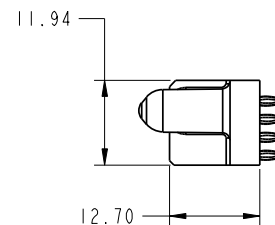
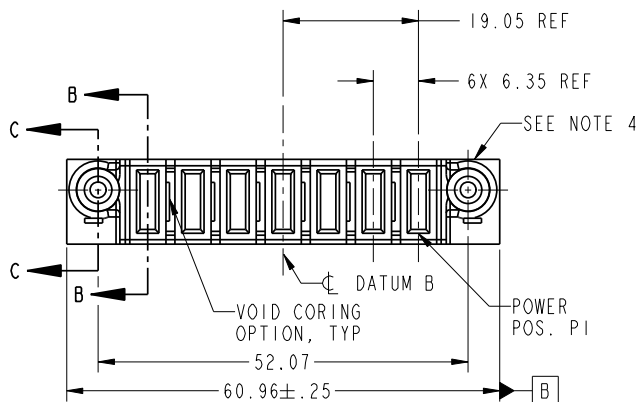


Tous droits strictement reserves. Reproduction ou communication a des tiers interdite sous quelque forme que ce soit sans autorisation écrite du propriétaire. Propriete de c FCI. Droits de reproduction FCI.



All rights strictly reserved. Reproduction or issue to third parties in any form whatever is not permitted without written authority from the proprietor. Property of FCI. Copyright FCI.

PRODUCT NO.	POWER							E1
	E2	P7	P6	P5	P4	P3	P2	
51940-215-- NOTE: 3								



CODE	DIM "M" MATING LENGTH	CONTACT TYPE
PC	[1.07]	POWER
PF	[2.34]	POWER

mat'l code				SEE NOTES		tolerances unless otherwise specified		CUSTOMER		 www.fciconnect.com	
lfr	ecn no.	dr	date	linear	0.X ± 0.3	projection		COPY		title	
A	DG07-0066	JULIA	02/14/07	angles	0.XX ± 0.13					7P	
				dr	0.XXX ± 0.051					VERTICAL PRESS FIT RECEPT	
				enrg	0° ± 2°	MM		product family		PwrBlade	
				chr	JULIA WANG 01/24/07	scale		size		code	
				appd	JEROME CHEN 02/14/07	1:1		dwg no		213	
					BEER FU 01/24/07			51940-215		sheet	
					JOSEPH HSIA 01/24/07			A		1 of 4	
sheet index	revision sheet	A	A	A	A						
		1	2	3	4						

cage code 22526

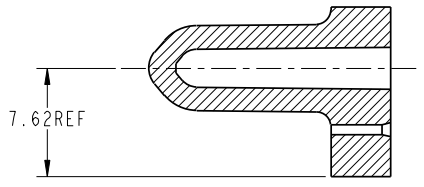
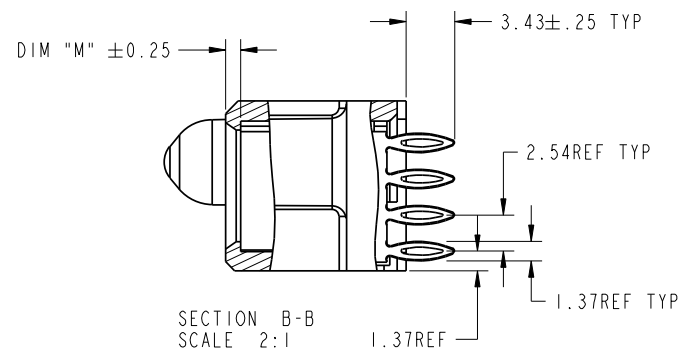
Pro/E

Tous droits strictement reserves. Reproduction ou communication a des tiers interdite sous quelque forme que ce soit sans autorisation écrite du propriétaire. Propriete de c FCI. Droits de reproduction FCI.



All rights strictly reserved. Reproduction or issue to third parties in any form whatever is not permitted without written authority from the proprietor. Property of FCI. Copyright FCI.

PRODUCT NUMBER  
51940-215--  
NOTE: 3



SECTION C-C  
SCALE 2:1

mat'l code				tolerances unless otherwise specified		CUSTOMER		FCI	
lfr	ecn no.	dr	date	linear	0.X ±0.3	COPY		www.fciconnect.com	
A				linear	0.XX ±0.13	projection		title	
				angles	0.XXX ±0.051			7P VERTICAL PRESS FIT RECEIPT	
				dr	0° ±2°			product family	
				engr	JULIA WANG 01/24/07	MM		PwrBlade	
				chr	JEROME CHEN 02/14/07	scale		code	
				appd	BEER FU 01/24/07	1:1		213	
					JOSEPH HSIA 01/24/07			sheet	
sheet index		revision sheet						2 of 4	

cage code 22526

Pro/E



Tous droits strictement reserves. Reproduction ou communication a des tiers interdite sous quelque forme que ce soit sans autorisation ecrite du proprietaire. Propriete de c FCI. Droits de reproduction FCI.



All rights strictly reserved. Reproduction or issue to third parties in any form whatever is not permitted without written authority from the proprietor. Property of FCI. Copyright FCI.

PRODUCT NUMBER  
51940-215\_\_  
NOTE: 3

NOTES:

1. DIMENSIONS AND TOLERANCES ARE IN ACCORDANCE WITH ASME Y14.5M, 1994 UNLESS OTHERWISE SPECIFIED.

CONNECTOR NOTES:

- ② HOUSING MATERIAL: UL 94 V-0 GLASS FILLED  
HIGH-TEMP THERMOPLASTIC  
POWER CONTACT MATERIAL: COPPER ALLOY  
SIGNAL PIN MATERIAL: COPPER ALLOY
  - 3. PLATING SPEC.  
51940-215,51940-215LF PLATING SPEC. WAS SHOWN IN THE PRINT OF 10064183.
  - ④ MANUFACTURER'S NAME, P/N, AND DATE CODE TO APPEAR ON THIS SURFACE.
  - 5. PRODUCT SPECIFICATION GS-12-149.  
APPLICATION SPECIFICATION BUS-20-067.
  - 6. PACKAGED IN TRAYS.
- PCB NOTES:
- 7. ALL HOLE DIAMETERS ARE FINISHED HOLE SIZE.
  - ⑧ MOUNTING HOLES, WHERE APPLICABLE, ARE UNPLATED.
  - ⑨  $\varnothing 1.151 \pm 0.025$  DRILLED HOLES PLATED WITH 0.008 MIN SnPb OR Sn OVER 0.03 TO 0.08 Cu PLATING TO ACHIEVE  $\varnothing 1.02 \pm .07$  HOLE.
  - ⑩ "DIM XXX" TO BE DETERMINED BY THE CUSTOMER.
  - ⑪ CONNECTOR KEEP-OUT ZONE.

mat'l code				tolerances unless otherwise specified		CUSTOMER			
lfr	ecn no.	dr	date	linear	0.X ±0.3	COPY		www.fciconnect.com	
A				linear	0.XX ±0.13	projection	title		
				angles	0.XXX ±0.051		7P VERTICAL PRESS FIT RECEPT		
				dr	0° ±2°		product family	PwrBlade	code
				enrg	JULIA WANG 01/24/07	scale	size	dwg no	213
				chr	JEROME CHEN 02/14/07	1:1	A	51940-215	sheet
				appd	BEER FU 01/24/07				4 of 4
					JOSEPH HSIA 01/24/07				
sheet index	revision sheet								

cage code 22526