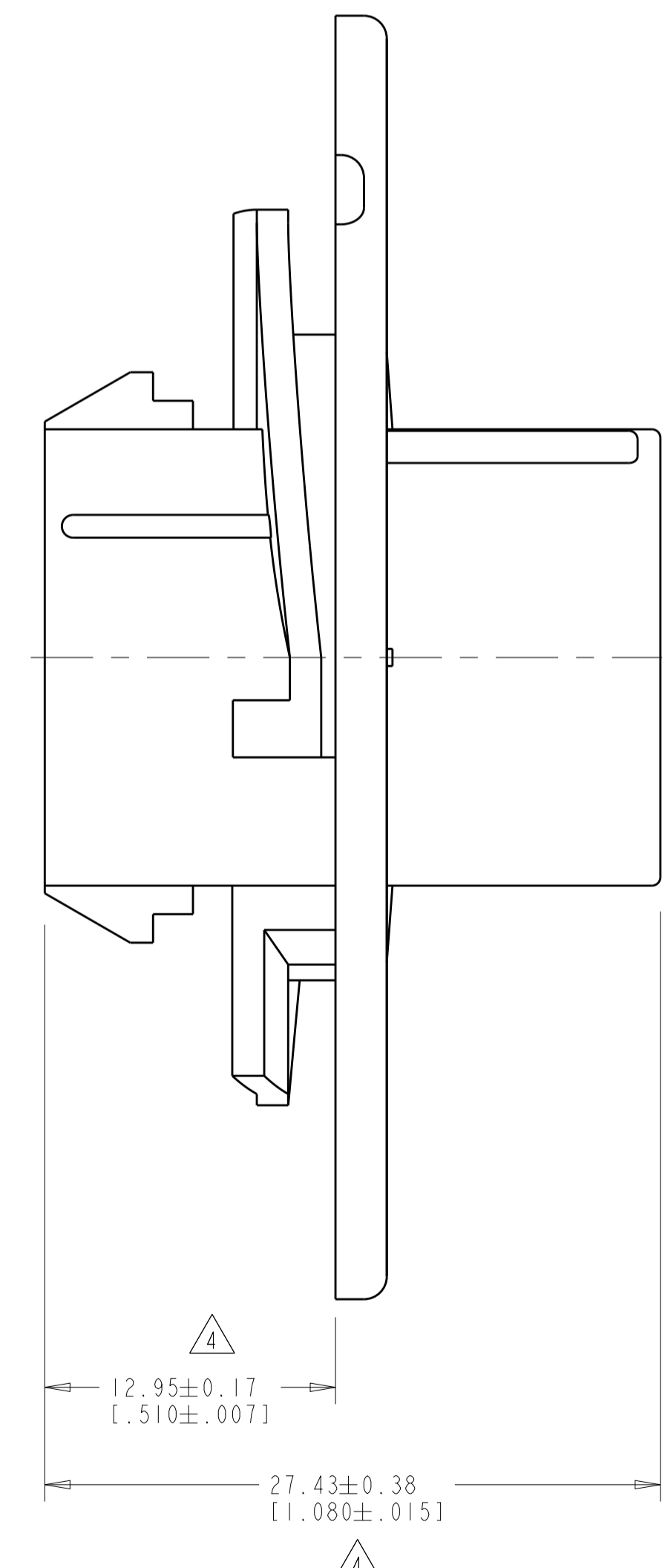
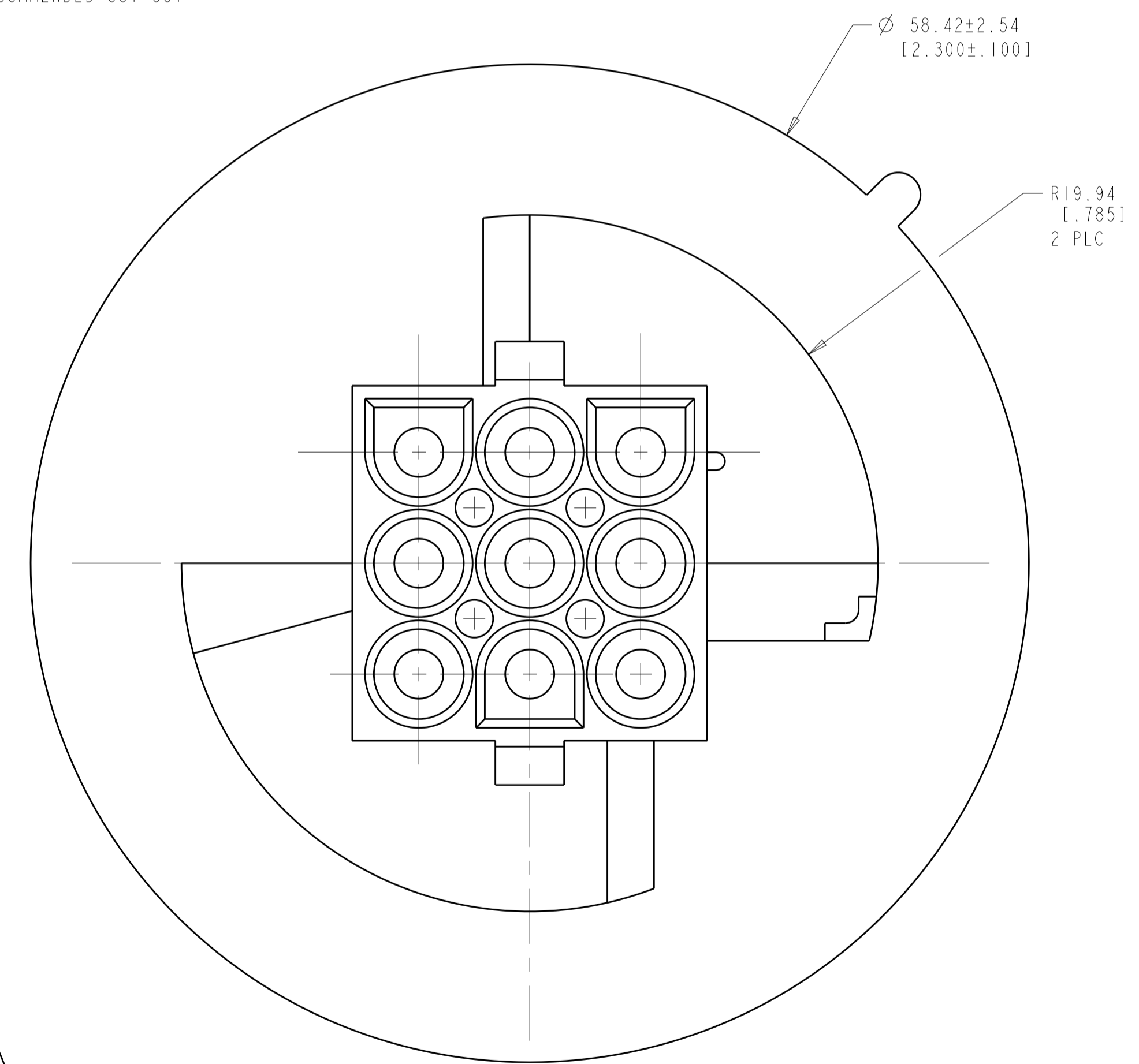
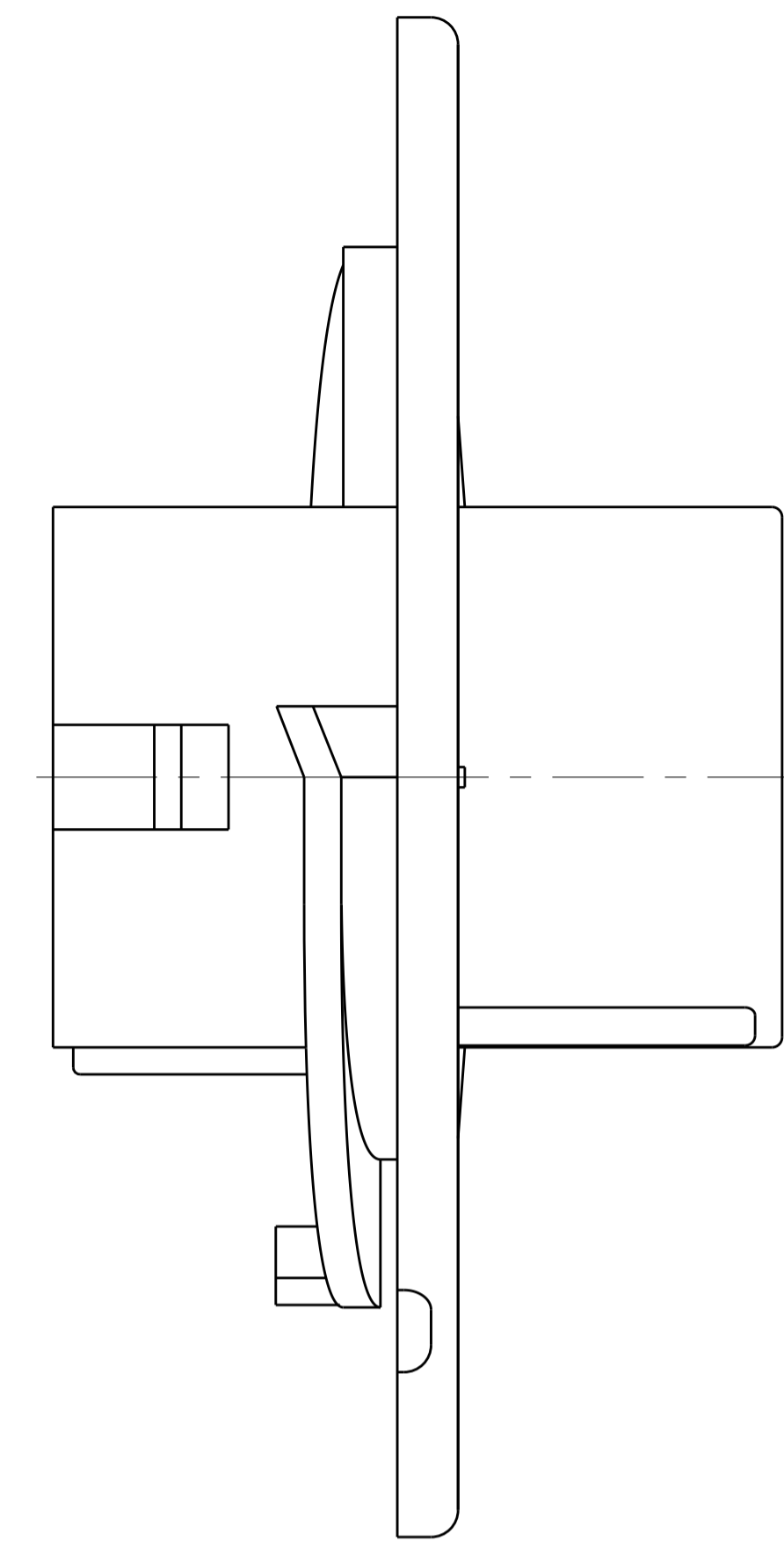
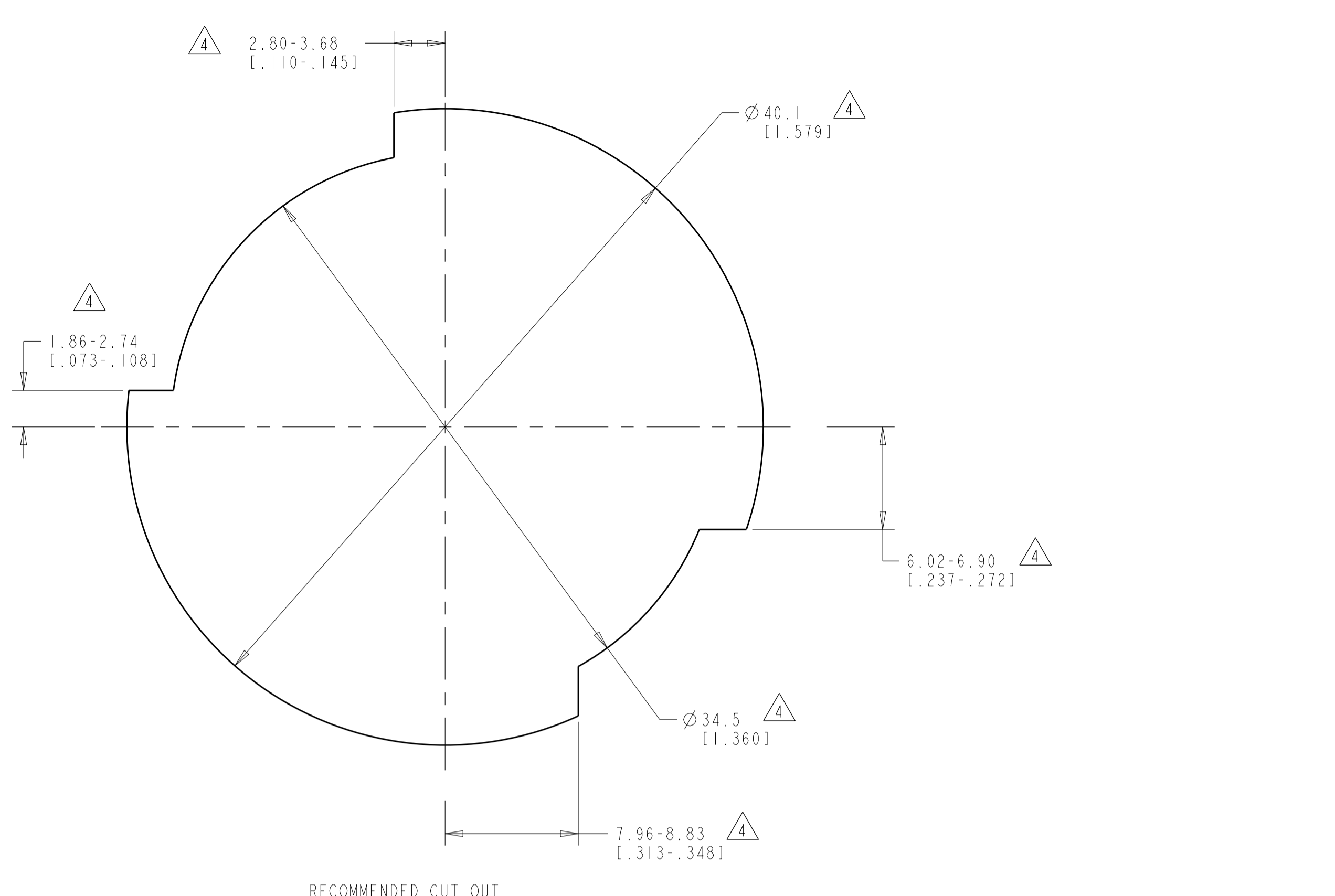
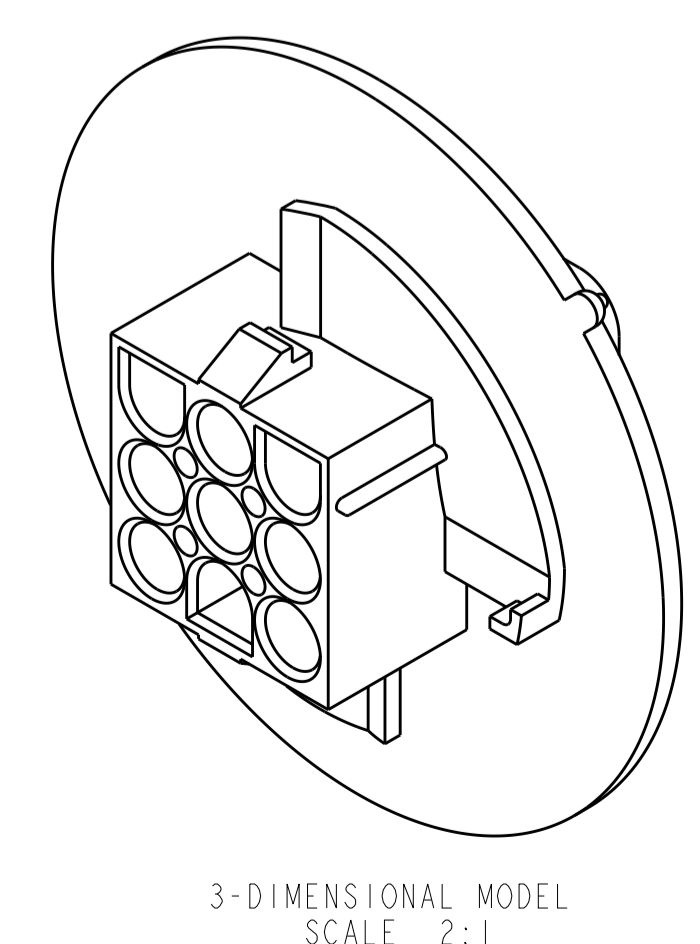
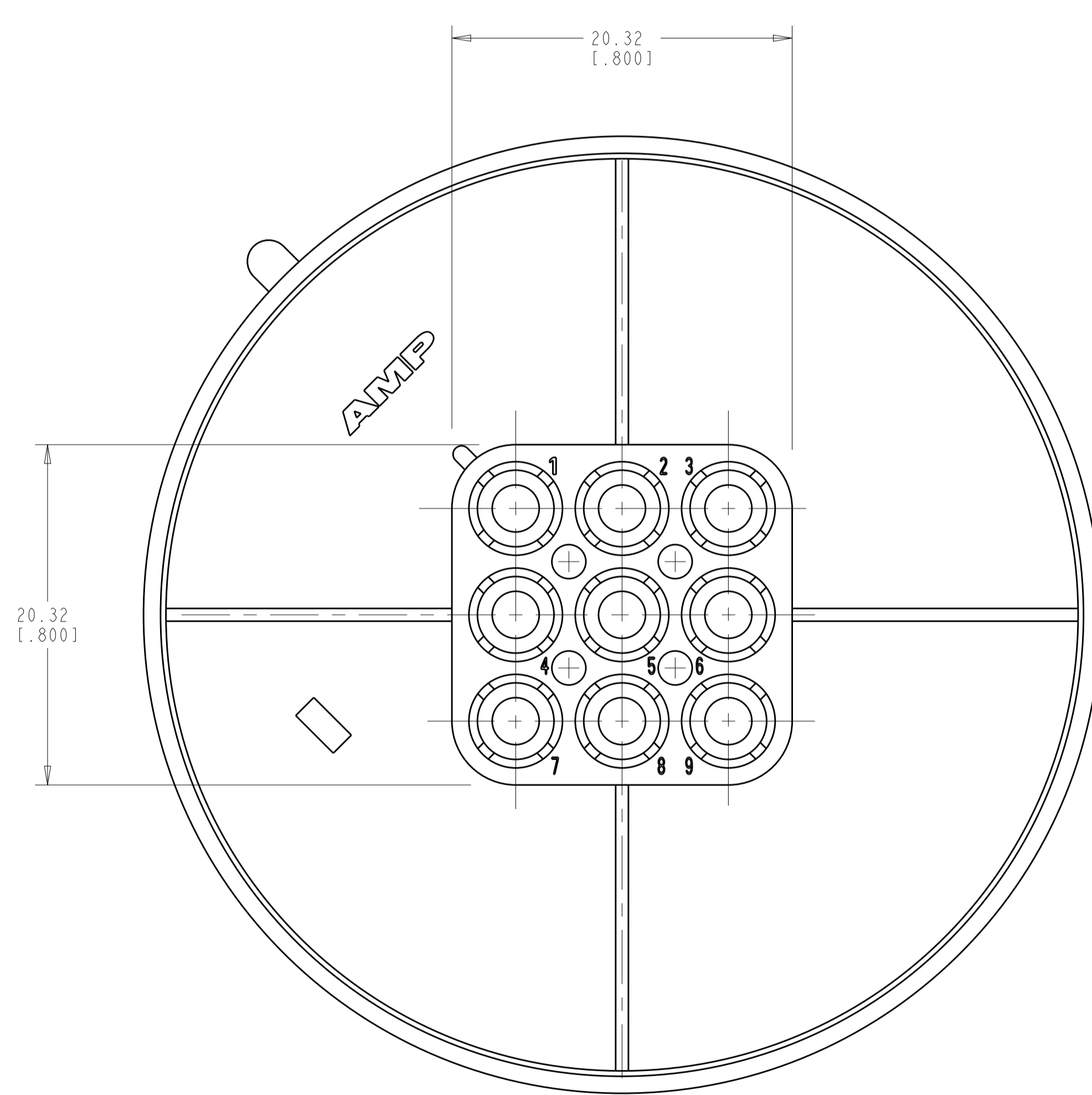


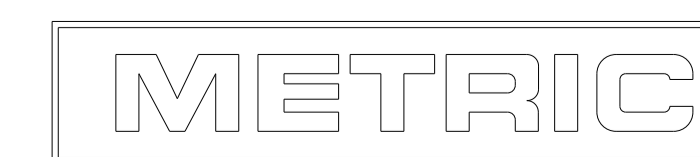
LOC	DIST	REVISIONS			
P	LTN	DESCRIPTION	DATE	DMN	APVD
E		REVISED PER ECR-11-006881	06APR2011	HMR	TM
E1		REVISED PER ECR-14-001377	20APR2015	AV	DZ



- MATES WITH APPROPRIATE UNIVERSAL MATE-N-LOK™ PLUG AND CONTACTS.
  - RECOMMENDED PANEL THICKNESS 0.76 - 2.29 [0.030 - .090].
  - PANEL MUST BE PUNCHED SO THAT THE HOUSING ENTERS THE PANEL IN THE SAME DIRECTION AS THE PUNCH.
- ⚠ DIMENSIONS INDICATED ARE REFERENCE. ADDITIONAL GROWTH DUE TO SUBSEQUENT MOISTURE ABSORPTION MAY OCCUR.



RED	2029299-1
COLOR	PART NUMBER



THIS DRAWING IS A CONTROLLED DOCUMENT.		DMN: AR JUN 16JAN2010	TE Connectivity
DIMENSIONS: mm [INCHES]		CHK: M. SARVER 16JAN2010	
TOLERANCES UNLESS OTHERWISE SPECIFIED:		APVD: -	NAME: CAP.
0 PLC	±	PRODUCT SPEC	9 CIRCUIT,
2 PLC	±	108-1031	UNIVERSAL MATE-N-LOK(TM), SPECIAL
3 PLC	±	APPLICATION SPEC	
4 PLC	±	114-1010	
ANGLES	±	WEIGHT	
FINISH	-	CUSTOMER DRAWING	
MATERIAL: NYLON, UL 94V-0, RED		SCALE: 4:1	SHEET 1 OF 1