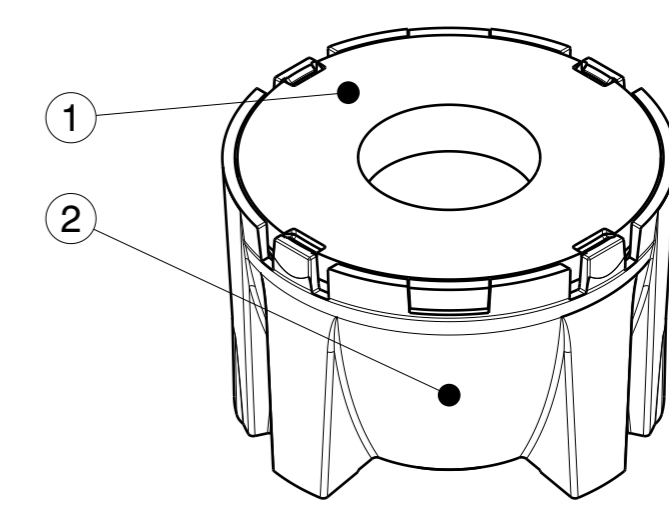
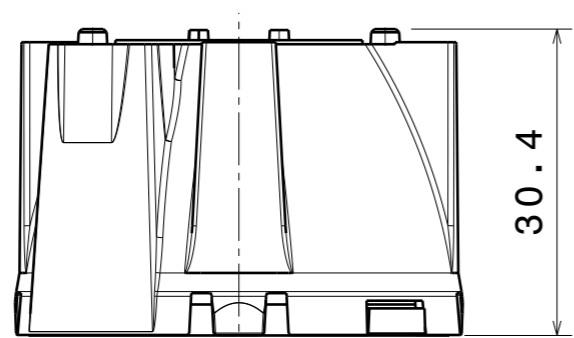
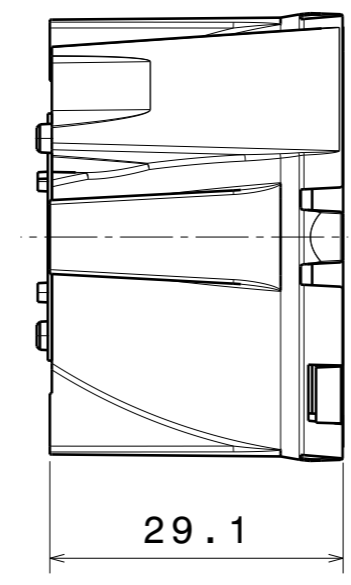
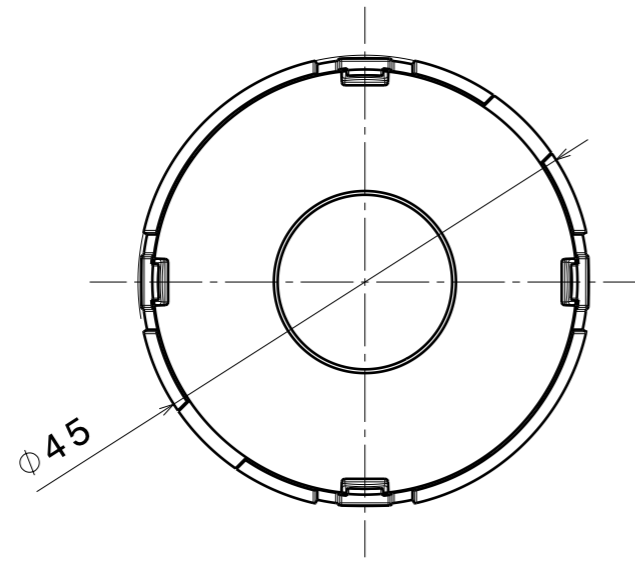
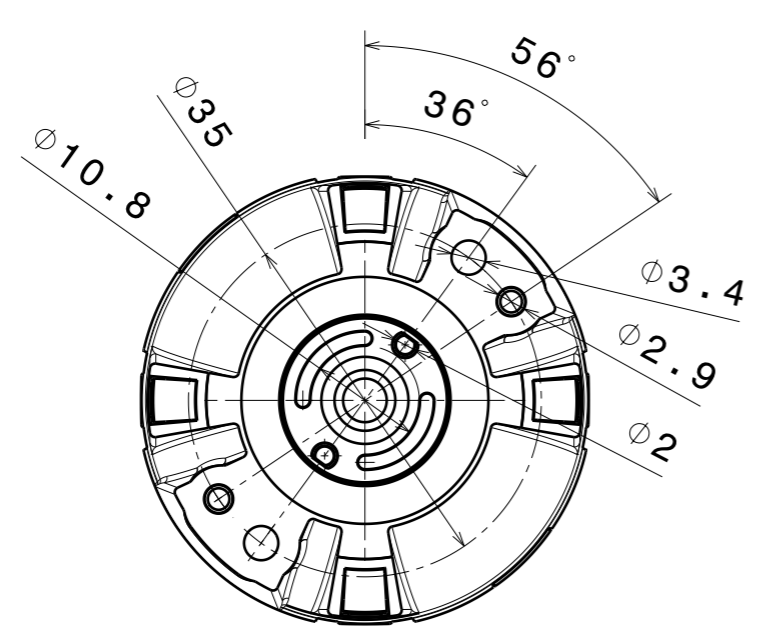


H G F E D C B A



Isometric view
Scale: 4:3



INDEX	PART NO	DESCRIPTION	MATERIAL	COLOUR
1	C15527	GABRIELLA-45-S	PMMA	
2	CA15928	GABRIELLA-45-HLD-T		

Tolerances if not otherwise shown
According to DIN ISO 2768-1
Linear measures:
Up to 30mm class M, otherwise class C.
According to DIN ISO 2768-2
Form and position: class L

LEDiL LediL Oy
Salorankatu 10
FIN 24240 SALO
Finland

THIRD ANGLE PROJECTION:

DRAWING TITLE
CX15577_GABRIELLA-45-S

This drawing is the property of LEDiL Oy. It may not be reproduced, copied or communicated without a written agreement with LEDiL Oy.

SIZE	PART NUMBER
A3	CX15577

SCALE	4:3	WEIGHT	-	SHEET	1/1
-------	-----	--------	---	-------	-----

H G B A