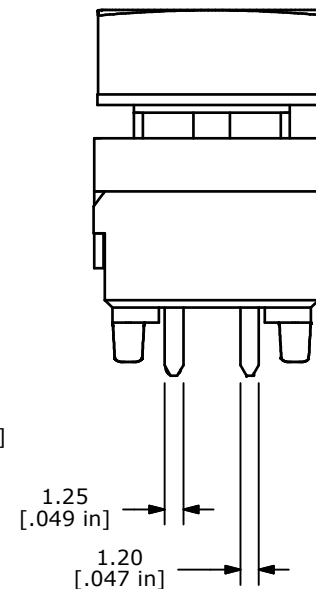
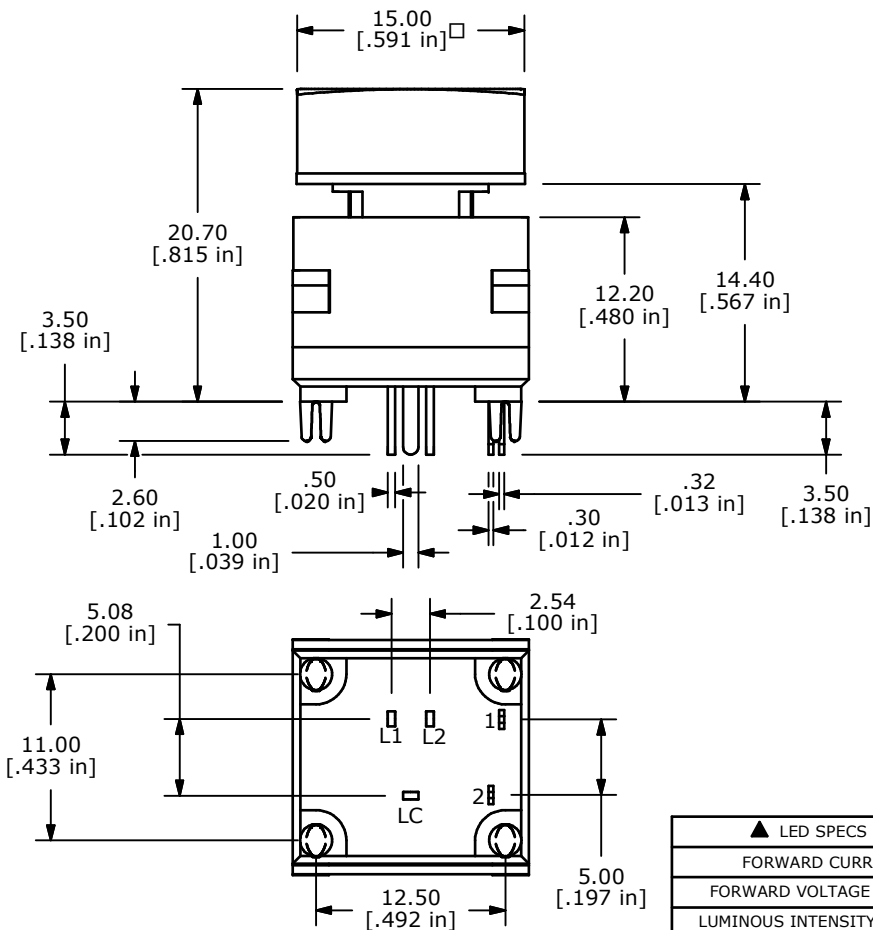


- NOTES:
1. ALL DIMENSIONS IN MM [INCH]
  2. GENERAL TOLERANCE: X.X±0.4  
X.XX±0.25
  3. TERM. NOS. FOR REFERENCE ONLY.
  4. RATING: 12VDC, 12mA; SPST
  5. CONTACT MATERIAL: GOLD
  6. CONTACT RESISTANCE: 50 Milli-OHM MAX.
  7. INSULATION RESISTANCE: 500VDC, 100 Mega-OHM MIN.
  - ▲ 8. OPERATING FORCE: 150±100GF
  9. OPERATING LIFE: 200,000 CYCLES
  10. OPERATING TEMP: -20°C TO +70°C
  - ▲ 11. LED COLORS: RED, YELLOW
  12. TRAVEL: 2.20mm±0.20
  13. 2002/95/EC (ROHS) COMPLIANT
  14. ▲ DENOTES CRITICAL PARAMETER.



▲ LED SPECS	UNITS	RED	YELLOW
FORWARD CURRENT	mA	20	20
FORWARD VOLTAGE @20mA	VDC	1.95-2.20	1.95-2.20
LUMINOUS INTENSITY @ 10mA	mcd	77	232



TITLE LP60A1ASRY

A	19231	RELEASE FOR PRODUCTION	8/12/10	BLR
REV	PCR NO	DESCRIPTION	DATE	BY

SCALE	DATE	DR	DWG	REV
2=1	8/12/2010	BLR	B220007	A

THE INFORMATION CONTAINED IN THIS DOCUMENT IS PROPRIETARY TO E-SWITCH AND IS NOT TO BE COPIED OR TRANSFERRED