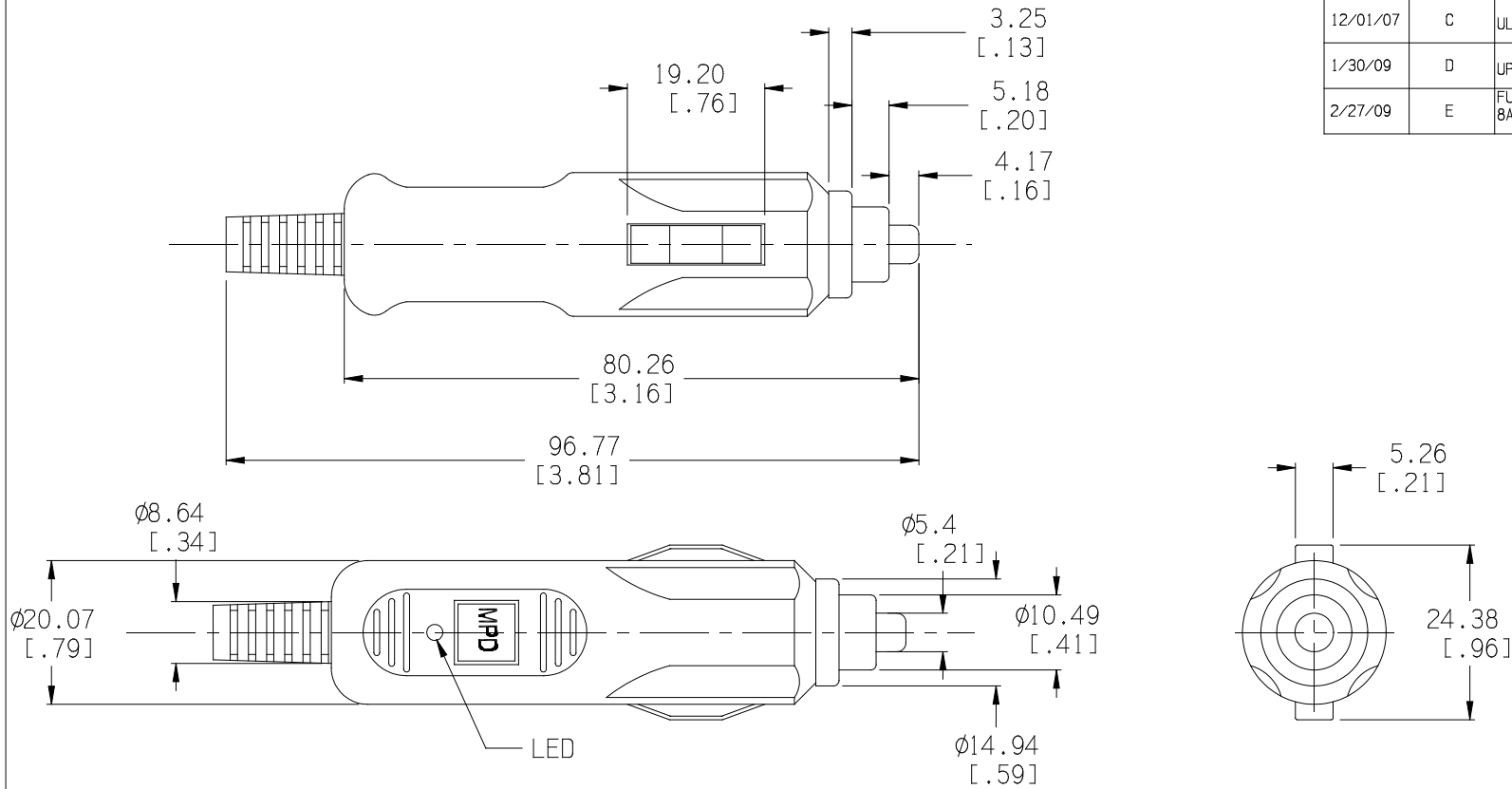



Date	SYM	REVISION RECORD	AUTH	DR.	CK.
10/22/05	A	ADDED "ROHS COMPLIANT"	T.B.	B.S.	
03/11/06	B	ADDED SPRING MATERIAL	T.B.	B.S.	
12/01/07	C	UL94V-HB WAS UL94V-0	T.B.	B.S.	
1/30/09	D	UPDATED FUSE SPEC.	T.B.	B.S.	
2/27/09	E	FUSE SPEC. WAS 8AG S/O B/O TYPE	T.B.	B.S.	



**SPECIFICATION:**

BODY: HIGH IMPACT ABS, UL94V-HB, FILE NO. E56070(S)  
 COLOR: BLACK  
 CENTER CONTACT: BRASS, NICKEL PLATED  
 SLIDING CONTACTS: PHOS. BRONZE, NICKEL PLATED  
 SPRING: PHOS. BRONZE WIRE  
 WIRE STRAIN RELIEF: PVC  
 LED: RED, 3mm, 12V  
 FUSE: 250V, 3 AMP, GLASS 3AG SLOW BLOW TYPE  
 6.35mm x 30mm (1/4" X 1 1/4")  
 RATED AT 18 HOURS, CONTINUOUS DUTY  
 10 AMP'S MAX WITH CORRECT FUSE.  
 ROHS COMPLIANT

Tolerance (Inches)	 Memory Protection Devices, Inc. 200 Broad Hollow Road, Farmingdale, New York 11735		
Decimal		Scale	Drawn By B.S.
$\pm .5$ (.020)			Approved By T.B.
Fractional	Title		
$\pm .8$ (.030)	CIGARETTE PLUG FOR 21 OR 22.2mm DIA. SOCKETS		
Angular	Date	Drawing Number	
$\pm 3^\circ$	2/27/09	APP-001	