

THIS DRAWING IS UNPUBLISHED. RELEASED FOR PUBLICATION  
 © COPYRIGHT BY TYCO ELECTRONICS CORPORATION. ALL RIGHTS RESERVED.

LOC	DIST	REVISIONS					
FT	0	P	LTR	DESCRIPTION	DATE	DWN	APVD
		E		REVISED PER ECO-06-024578	2/13/07	SS	SRV

**D-SUB CONNECTOR:**  
 MATERIAL:  
 HOUSING: THERMOPLASTIC POLYESTER, 94V-0.  
 CONTACTS: COPPER ALLOY, GOLD PLATED.

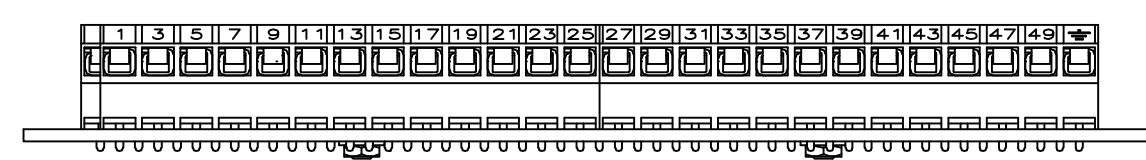
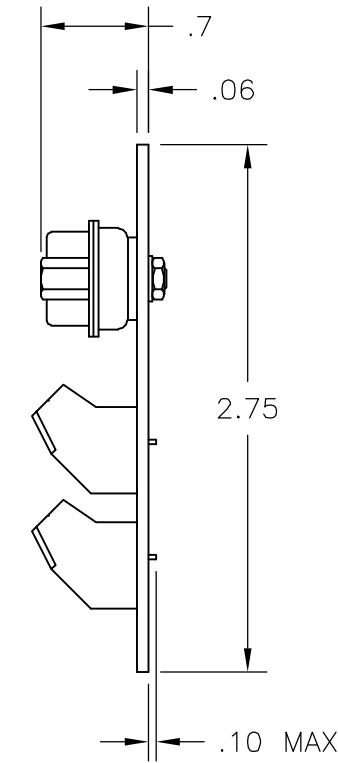
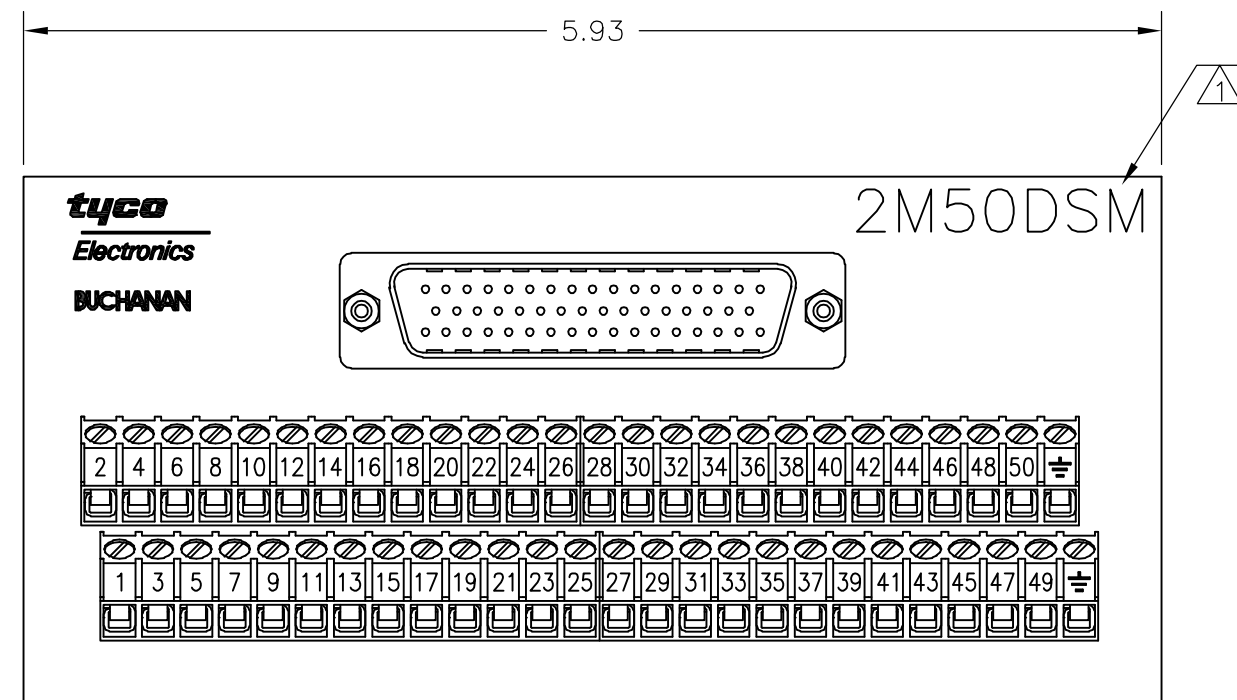
MECHANICAL:  
 WIRE RANGE: 26-30 AWG SOLID, 28 AWG STRANDED.

**TERMINAL BLOCK:**  
 MATERIAL:  
 HOUSING: THERMOPLASTIC NYLON, BLACK, 94V-0.  
 TERMINALS: COPPER ALLOY, TIN PLATED.  
 SCREWS: 3M, BRASS, NICKEL PLATED.

ELECTRICAL CSA/UL:  
 RATING: 10A, 300V.

MECHANICAL:  
 WIRE RANGE: 14-22 AWG.  
 MOUNTING: 2TK2 AND 2TK2D SERIES SNAPTRACK,  
 (SOLD SEPARATELY).

- NOTES:**
- ⚠ CATALOG NUMBER MARKED HERE.
  - ⚠ CONTAINS NO TIN-LEAD PLATING.
  - ⚠ CONTAINS TIN-LEAD AT SOLDERED LOCATIONS ONLY.



⚠	2M50DSMR	1776613-1
⚠	2M50DSML	1546696-1
	2M50DSM	2-1437684-9
	CATALOG NO.	PART NO.

THIS DRAWING IS A CONTROLLED DOCUMENT.		DWN	26JUN02	Tyco Electronics Corporation	
DIMENSIONS: INCHES		S	SCHLEGEL	Harrisburg, PA 17105-3608	
TOLERANCES UNLESS OTHERWISE SPECIFIED:		CHK	6/26/02	NAME	
0 PLC ± -		H.	WAKEEM	2M50DSM ASSEMBLY	
1 PLC ± .1		APVD	6/26/02	SIZE	CAGE CODE
2 PLC ± .01		PRODUCT SPEC		A2	00779
3 PLC ± -		APPLICATION SPEC		DRAWING NO. C=2-1437684-9	
4 PLC ± -				RESTRICTED TO	
ANGLES ± -		WEIGHT	-	-	
FINISH		CUSTOMER DRAWING		SCALE	SHEET
				NTS	1 of 1
				REV	E