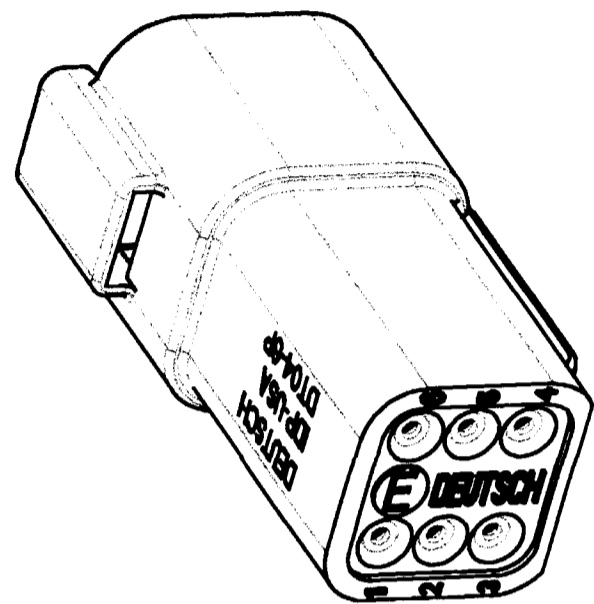
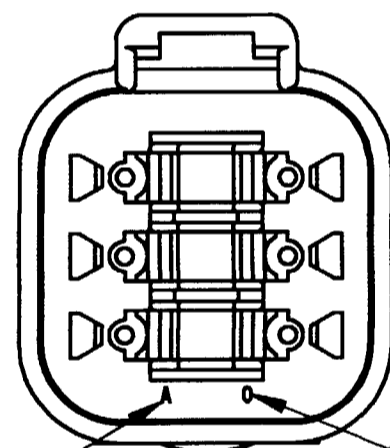


REV
NC DT04-6P-CE02

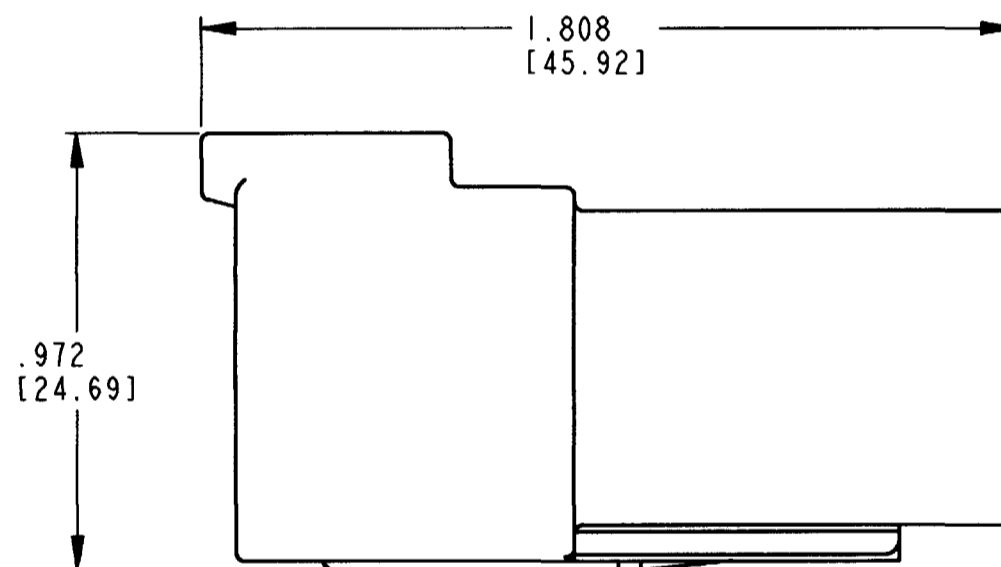
REVISIONS			
SYM	DESCRIPTION	DATE	APPROVED
NC	NEW RELEASE PER E.O. P16021	5-25-99	RDR



DATE CODE: YEAR REPRESENTED BY LAST NUMERICAL DIGIT (EX: 0=2000).

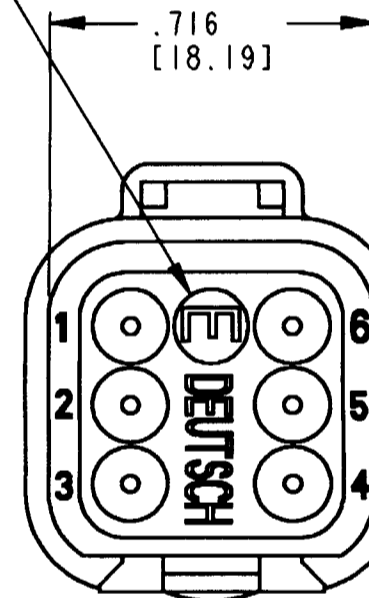


DATE CODE: SEQUENTIAL ALPHA CHARACTERS REPRESENT MONTH (EX: A=JANUARY).



RECEPTACLE HOUSING

MARK DESIGNATES REDUCED WIRE SEALS



CONTACT SIZE	MIN. INSUL O.D.	MAX. INSUL O.D.	WIRE RANGE [mm ²]
16	.053 [1.34]	.120 [3.04]	14-20 AWG [2.0-0.5]

- NOTES:
- DIMENSIONS ARE IN INCHES [MILLIMETERS].
 - DIMENSIONS ARE ±.025[0.63] UNLESS OTHERWISE SPECIFIED.
 - FOR CONTACTS AND WIRE PERFORMANCE AND APPLICATION CHARACTERISTICS SEE ENVELOPE DRAWING 0425-015-0000 AND 0425-017-0000.
 - THIS RECEPTACLE MATES WITH THE DT06-6S-**** PLUG (**** = ALL MODIFICATIONS). CONSULT FACTORY FOR MODIFICATIONS.

SIGNATURE & DATE	
DR	D. SPENCER 06APR99
CHK	<i>[Signature]</i> 5-21-99
PE	<i>[Signature]</i> 5-25-99
APPD	R. RAD 5-25-99
SCALE	2.5:1 WT

6 WAY RECEPTACLE
COLOR: BLACK
-CE02 MOD.
DT SERIES

ENVELOPE

CP	MATL. CODE
The Deutsch Company DEUTSCH I. P. D. 3850 INDUSTRIAL AVE. HEMET, CALIF. 92545	
B	DT04-6P-CE02
DWG SIZE	CODE 11139 SHEET OF