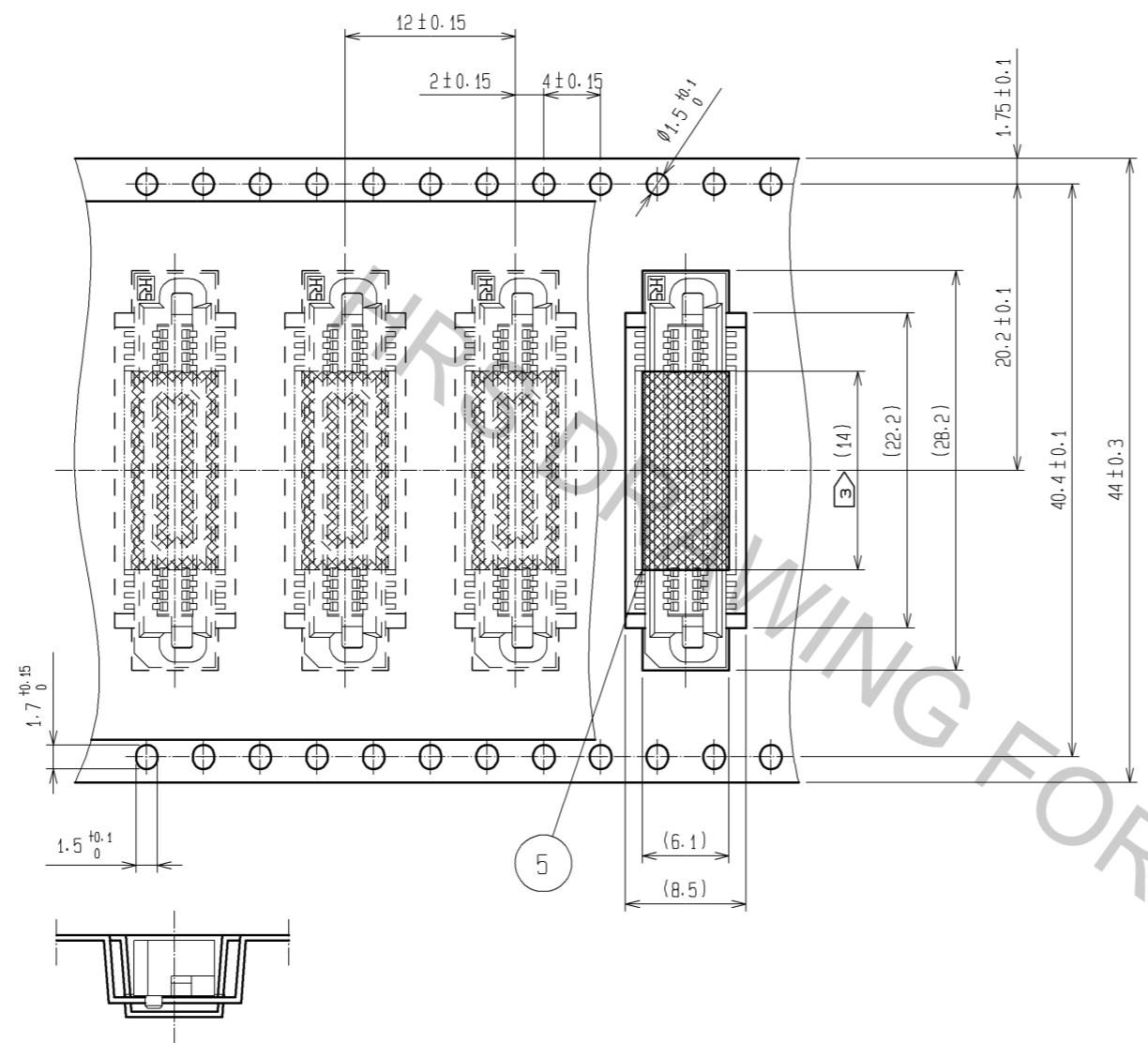
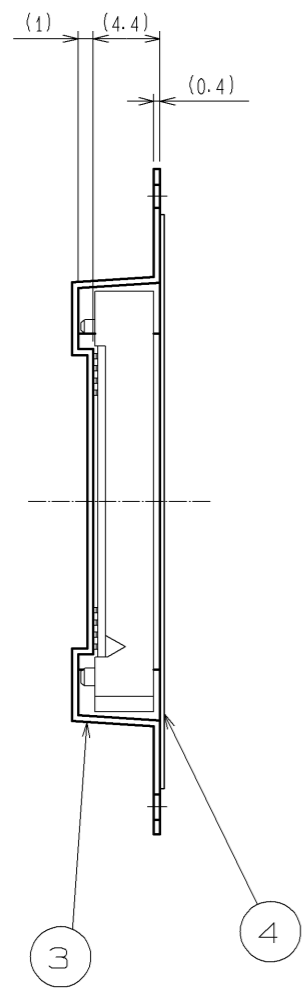
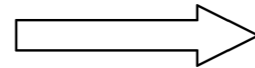
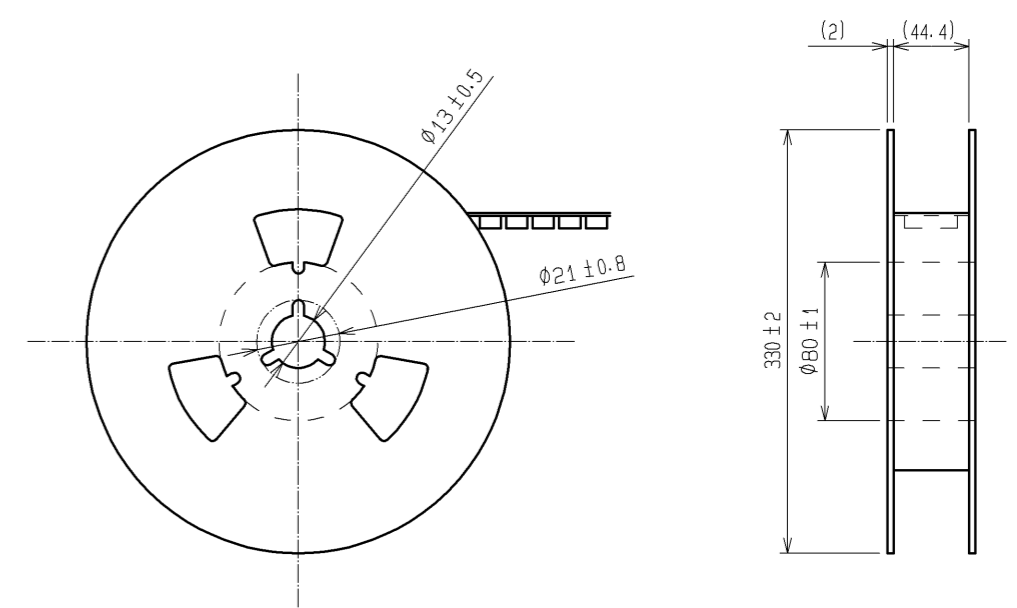


DRAWING FOR PACKING(2:1)

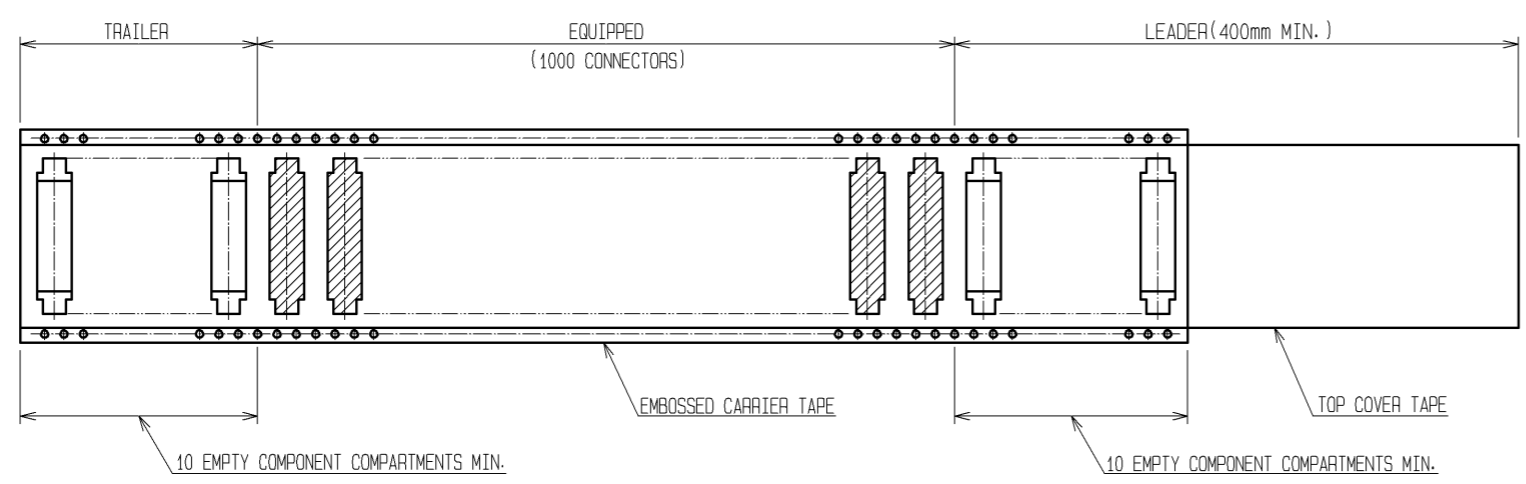
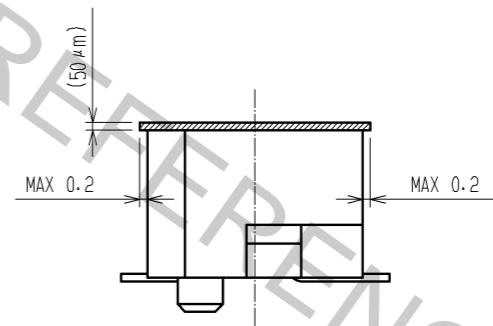
UNREELING DIRECTION



REEL DIMENSION (FREE)



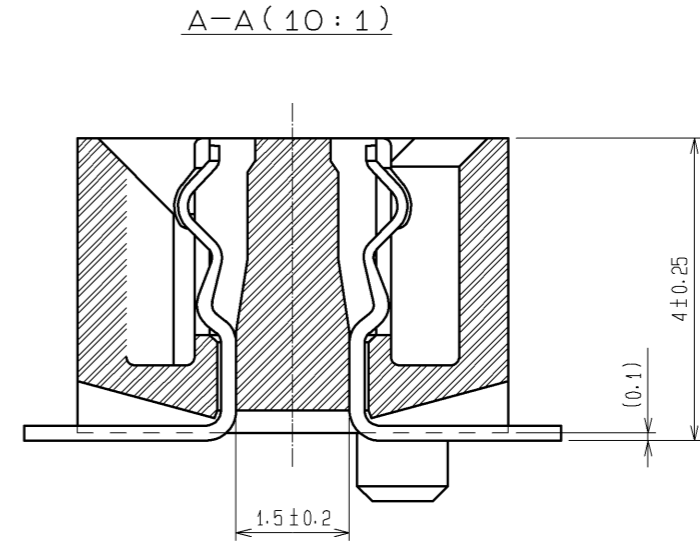
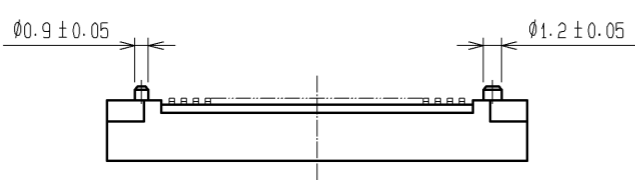
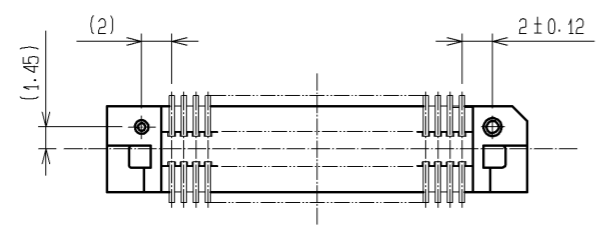
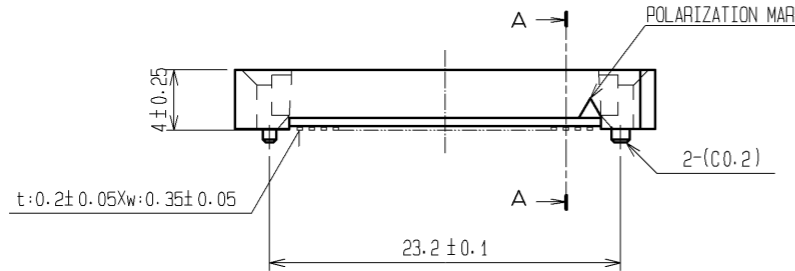
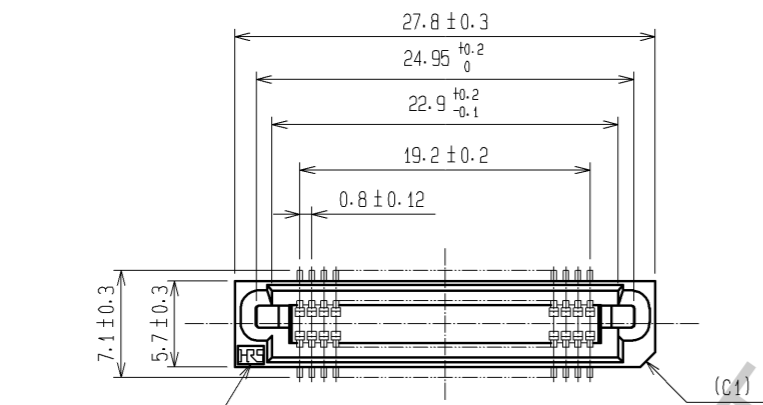
DETAIL OF TAPE FOR VACUUM PICKUP (5:1)



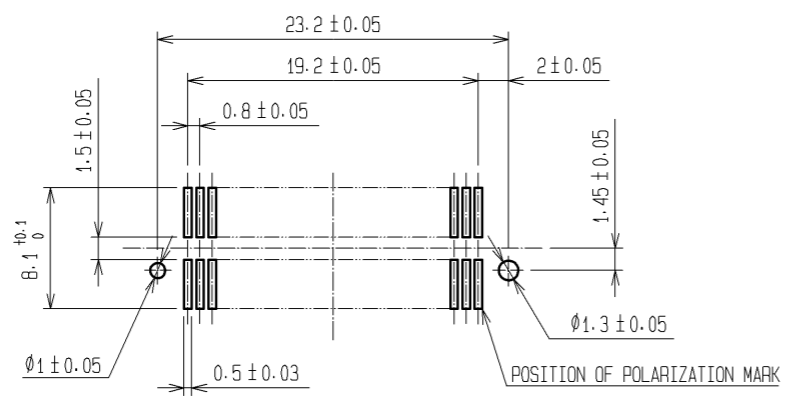
- NOTE 1 1 REEL : 1000 CONNECTORS.
 2 THE DIMENSIONS IN PARENTHESES ARE FOR REFERENCE.
 3 REMOVE THE VACUUM PICKUP TAPE AFTER MOUNTING THE CONNECTOR.

HRS	DRAWING NO.	EDC3-071640-23	2/2
	PART NO.	FX6-50S-0.8SV(93)	
	CODE NO.	CL576-0104-6-93	

Apr.1.2017 Copyright 2017 HIROSE ELECTRIC CO., LTD. All Rights Reserved.



RECOMMENDED LAND PATTERN DIMENSION OF PCB (MOUNTING SIDE)
(RECOMMENDED METAL MASK THICKNESS: 0.15mm)



- NOTE
- 1 HRS MARK SHALL BE OPTIONAL.
 - 2 LEAD CO-PLANARITY SHALL BE 0.1mm MAX.
 - 3 EMBOSSED CARRIER TAPE PACKAGING SHALL BE APPLIED FOR THIS PRODUCT. SEE NEXT PAGE FOR DETAILS.
 - 4 THIS PRODUCT HAS TAPE FOR VACUUM PICKUP. SEE NEXT PAGE FOR DETAIL OF STICKING POSITION, ETC.
 - 5 FOR MODIFICATION, ETC. PREVENTIVE HOLE FOR SINK MARK MAY BE ADDED ACCORDING TO CIRCUMSTANCES.
 - 6 THE DIMENSIONS IN PARENTHESES ARE FOR REFERENCE.

2	PHOSPHOR BRONZE	CONTACT AREA: GOLD 0.1µm min.						
		LEAD AREA: TIN-PLATING 1µm min.						
		UNDER PLATING: NICKEL 2µm min.						
1	PPS	LIGHT BROWN UL94V-0	5	POLYIMIDE	TAPE FOR VUCUUM PICKUP			
			4	POLYESTER	TOP COVER TAPE			
			3	POLYSTYRENE	EMBOSSED CARRIER TAPE			
NO.	MATERIAL	FINISH . REMARKS	NO.	MATERIAL	FINISH . REMARKS			
UNITS mm		SCALE 2 : 1	COUNT 	DESCRIPTION OF REVISIONS		DESIGNED	CHECKED	DATE
APPROVED : HS. OKAWA 08.12.22			DRAWING NO. EDC3-071640-23					
CHECKED : HT. YAMAGUCHI 08.12.22			PART NO. FX6-50S-0.8SV(93)					
DESIGNED : SY. KAMIGA 08.12.19			CODE NO. CL576-0104-6-93					
DRAWN : TP. MATSUMOTO 08.12.19								