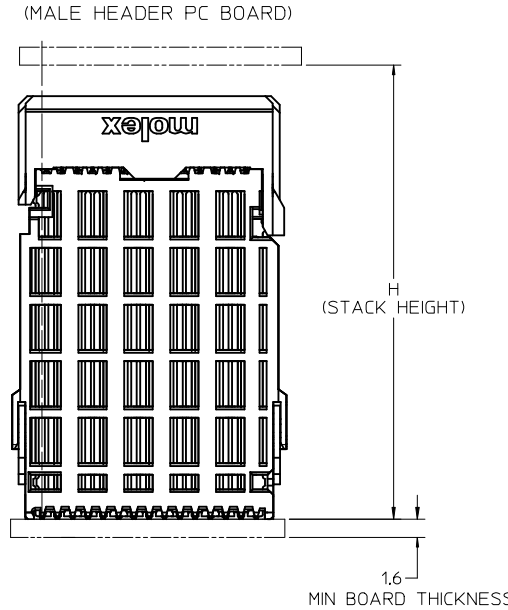


- NOTES:
1. MATERIALS: HOUSING - LIQUID CRYSTAL POLYMER (LCP), GLASS FILLED, UL94V-0  
TERMINALS - HIGH PERFORMANCE COPPER ALLOY
  2. FINISH: 30  $\mu$ m MIN SELECTIVE GOLD IN CONTACT AREA.  
SELECTIVE MATTE TIN ON PCB TAILS, NICKEL OVERALL.
  3. EACH SIGNAL WAFER CONTAINS TWO COLUMNS OF TERMINALS.
  4. PARTS SHALL BE PACKAGED IN TRAYS PER PACKAGING SPEC PK-70873-0040 (40mm)  
OR PK-70873-0043 (38mm).
  5. FOR FURTHER INFORMATION SEE PRODUCT SPECIFICATION PS-76060-999
  6. THIS PART CONFORMS TO CLASS B REQUIREMENTS OF COSMETIC SPECIFICATION PS-45499-002.
  7. PART SHOWN HAS AN OVERALL STACK HEIGHT OF 40mm. VARYING STACK HEIGHTS MAY BE AVAILABLE UPON REQUEST.
  8. REFER TO MOLEX SALES DRAWING SD-76055-002 FOR THE MATING HEADERS.
  9. REFER TO MOLEX PCB ROUTING GUIDE AS-76060-990 FOR ANTIPAD AND ROUTING RECOMMENDATIONS.
  10. CONNECTORS SUPPLIED WITH A MOUNTING SCREW.
  11. \*THESE DIMENSIONS REPRESENT THE AREA NEEDED TO ACCOMMODATE CONNECTOR INSERTION & REPAIR ON THE PC BOARD. THIS IS REFERRED TO AS THE "CONNECTOR KEEP OUT ZONE" AND DOES NOT REPRESENT THE ACTUAL PERIMETER OF THE CONNECTOR. WHEN LAYING OUT A PC BOARD WITH CONNECTORS STACKED TOGETHER, USE A 1.9mm PROGRESSION.\*



UPDATE PRINT EC NO: UCP2015-2453 DRWN:BJMILLER 2014/12/12 CHKD: APPR:TELO 2014/12/19	DESCRIPTION H2	QUALITY SYMBOLS	GENERAL TOLERANCES (UNLESS SPECIFIED)	DIMENSION STYLE	SCALE	DESIGN UNITS	THIRD ANGLE PROJECTION
		$\nabla = 0$ $\nabla = 0$ $\nabla = 0$	mm INCH 4 PLACES $\pm$ --- $\pm$ --- 3 PLACES $\pm$ --- $\pm$ --- 2 PLACES $\pm 0.13$ $\pm$ --- 1 PLACE $\pm 0.25$ $\pm$ --- 0 PLACE $\pm$ --- $\pm$ ---	MM ONLY DRAWN BY DATE J JONIAK 2008/10/10 CHECKED BY DATE TELO 2008/10/10 APPROVED BY DATE JLAURX 2010/11/04	3:1 METRIC	THIRD ANGLE PROJECTION	
		ANGULAR $\pm 1/2^\circ$ DRAFT WHERE APPLICABLE MUST REMAIN WITHIN DIMENSIONS	MATERIAL NO. SEE TABLE	DOCUMENT NO. SD-76530-002	SHEET NO. 1 OF 2		
		SIZE C	THIS DRAWING CONTAINS INFORMATION THAT IS PROPRIETARY TO MOLEX INCORPORATED AND SHOULD NOT BE USED WITHOUT WRITTEN PERMISSION				

PART NUMBER	# OF COLUMNS	# OF DIFF PAIR	DIM "A"	DIM "B"	DIM "C"	STACK HEIGHT (H)
76530-**-30	10	50	26.6	17.10	35.36	38.00
76530-**-32	12	60	30.4	20.90	35.36	38.00
76530-**-37	14	70	34.2	24.70	35.36	38.00
76530-**-36	16	80	38.0	28.50	35.36	38.00
76530-**-40	10	50	26.6	17.10	37.36	40.00
76530-**-42	12	60	30.4	20.90	37.36	40.00
76530-**-47	14	70	34.2	24.70	37.36	40.00
76530-**-46	16	80	38.0	28.50	37.36	40.00

76530-\*\*\*\*

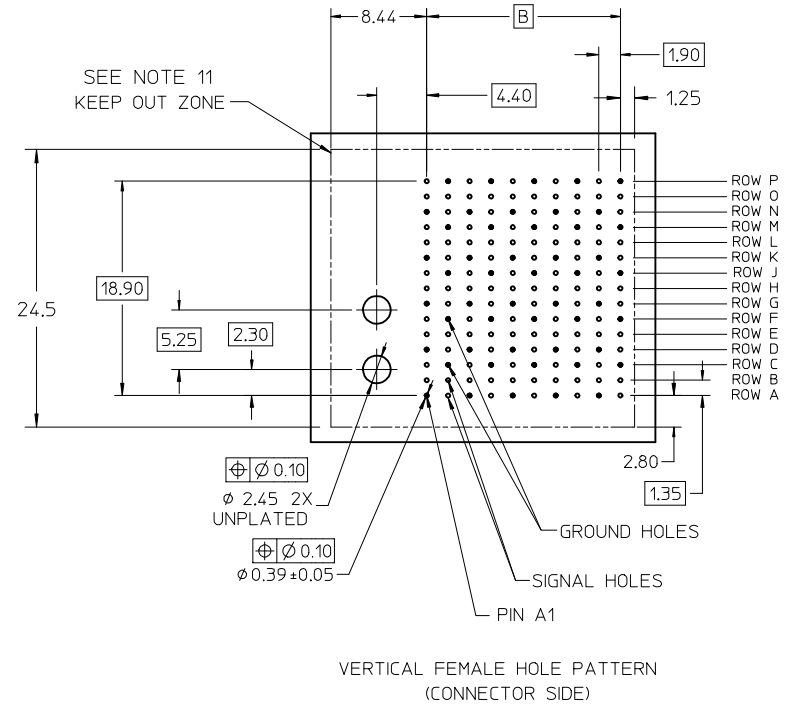
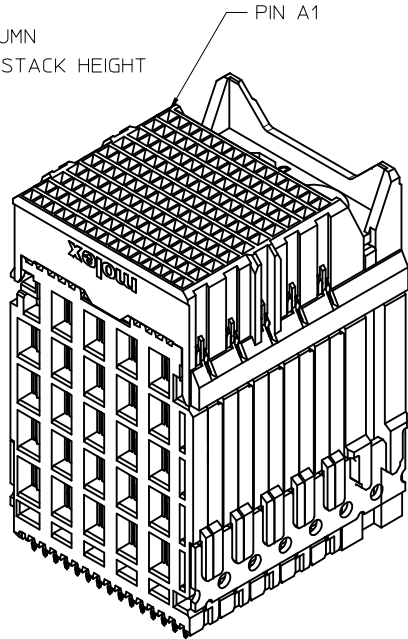
MODULE & TAIL PLATING TYPE  
3 = LEFT GUIDED LEAD-FREE

# OF COLUMNS  
0 = 10 COL MICRO COMPLIANT  
2 = 12 COL MICRO COMPLIANT  
6 = 16 COL MICRO COMPLIANT  
7 = 14 COL MICRO COMPLIANT

POLARIZATION KEY ORIENTATION  
0 = NO KEY  
1 = A      5 = E  
2 = B      6 = F  
3 = C      7 = G  
4 = D      8 = H

STACK HEIGHT  
3 = 38mm  
4 = 40mm

10 COLUMN  
40 MM STACK HEIGHT



SEE SHEET 1 IEC NO: UCP2015-2453 DRW: BJMILLER 2014/12/12 CHKD: TELO APPR: TELO 2014/12/19	QUALITY SYMBOLS ▽=0 ▽=0 ▽=0	GENERAL TOLERANCES (UNLESS SPECIFIED)		DIMENSION STYLE <b>MM ONLY</b>		SCALE <b>3:1</b>	DESIGN UNITS <b>METRIC</b>	THIRD ANGLE PROJECTION	
		4 PLACES ± --- ± --- 3 PLACES ± --- ± --- 2 PLACES ± 0.13 ± --- 1 PLACE ± 0.25 ± --- 0 PLACE ± --- ± ---	mm      INCH	DRAWN BY JJONIAK	DATE 2008/10/10	TITLE <b>IMPACT 5-PAIR          VERTICAL MEZZANINE          LEFT GUIDED SALES DWG</b>		DOCUMENT NO. <b>SD-76530-002</b>	
DRAFT WHERE APPLICABLE MUST REMAIN WITHIN DIMENSIONS		ANGULAR ±1/2°		APPROVED BY JLAURX		DATE 2010/11/04		MATERIAL NO. <b>SEE TABLE</b>	
THIS DRAWING CONTAINS INFORMATION THAT IS PROPRIETARY TO MOLEX INCORPORATED AND SHOULD NOT BE USED WITHOUT WRITTEN PERMISSION									