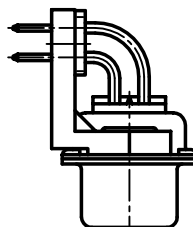
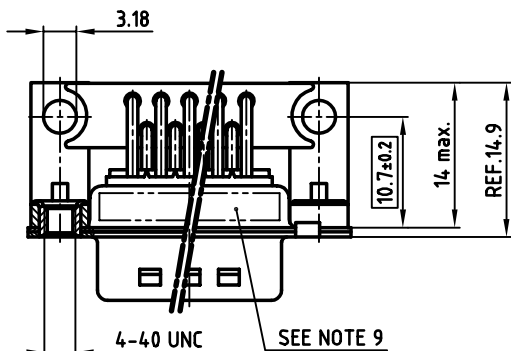
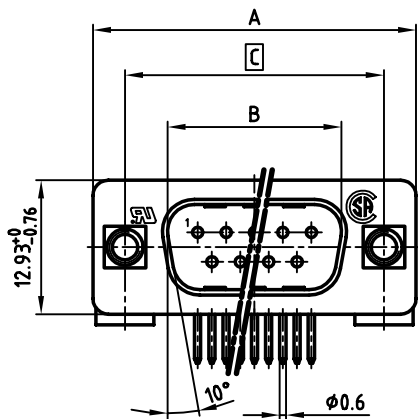
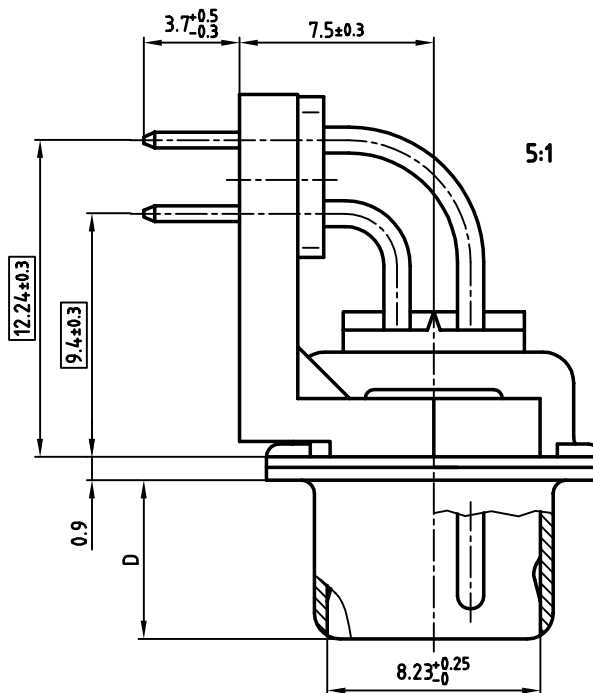


used for: D-SUB

POS.	A -0.76	B +0.25	C	D -0.3	Part-NO.
9	31.19	16.79	25.00 $\begin{smallmatrix} +0.12 \\ -0.13 \end{smallmatrix}$	6.12	163A12019X
15	39.52	25.12	33.30 $\begin{smallmatrix} +0.15 \\ -0.1 \end{smallmatrix}$	6.12	163A12029X
25	53.42	38.84	47.04 ± 0.13	5.99	163A12039X
37	69.70	55.30	63.50 ± 0.13	5.99	163A12049X



NOTES:

- METALSHELLS: STEEL; min. 320 μ " TIN
- INSULATORS: PBT GF UL 94 V-0, BLACK
- CONTACTS: COPPER ALLOY
PLATING: min. 8 μ " HARD GOLD OVER min. 50 μ " NICKEL
- METAL BRACKET: STEEL; min. 320 μ " TIN over 80 μ " NICKEL
- THREADED INSERT: COPPER ALLOY; min. 200 μ " TIN over 80 μ " NICKEL
- FIXING-PLATE: PBT GF UL 94 V-0, BLACK
- P.C.B. HOLE DRILLINGS ON DRAWING 16K11IUA
- MAXIMUM TORQUE VALUE FOR THREAD: 6" LBS
- CONNECTOR IS PART MARKED: PART-NO. CONEC Y/WW
- = CRITICAL DIMENSION

Directive 2002/95/EC
"RoHS"
Compliant

APPROVAL # FREIGABE # DEBLOCAGE # AUTORIZACION # APPROVAL

CUSTOMER APPROVAL DATE:

NAME: TITLE:

COMPANY NAME:

APPROVAL # FREIGABE # DEBLOCAGE # AUTORIZACION # APPROVAL

THIS DRAWING MAY NOT BE COPIED OR REPRODUCED IN ANY WAY, AND MAY NOT BE PASSED ON TO A THIRD PARTY, WITHOUT WRITTEN PERMISSION. OWNERSHIP AND COPYRIGHT OF CONEC GmbH DO NOT ALTER CAD DRAWING BY HAND

rev.	description	date	name

tolerance $\begin{smallmatrix} \text{---} \\ \text{---} \end{smallmatrix}$ dim. in mm

scale: 2:1 (5:1)

material: SEE NOTES

title: D-SUB MALE 90°
9-37pos. 0.370inch
threaded insert, metal bracket, fixing-plate

dwg no: AutoCAD 2000 DIN-A
16K1A824 3 sh:1/1

part no: SEE TABLE

CONEC

2002 date name

drawn 09.12. Parei

appd. 09.12. Kühle

norm DIN 41652

d-old