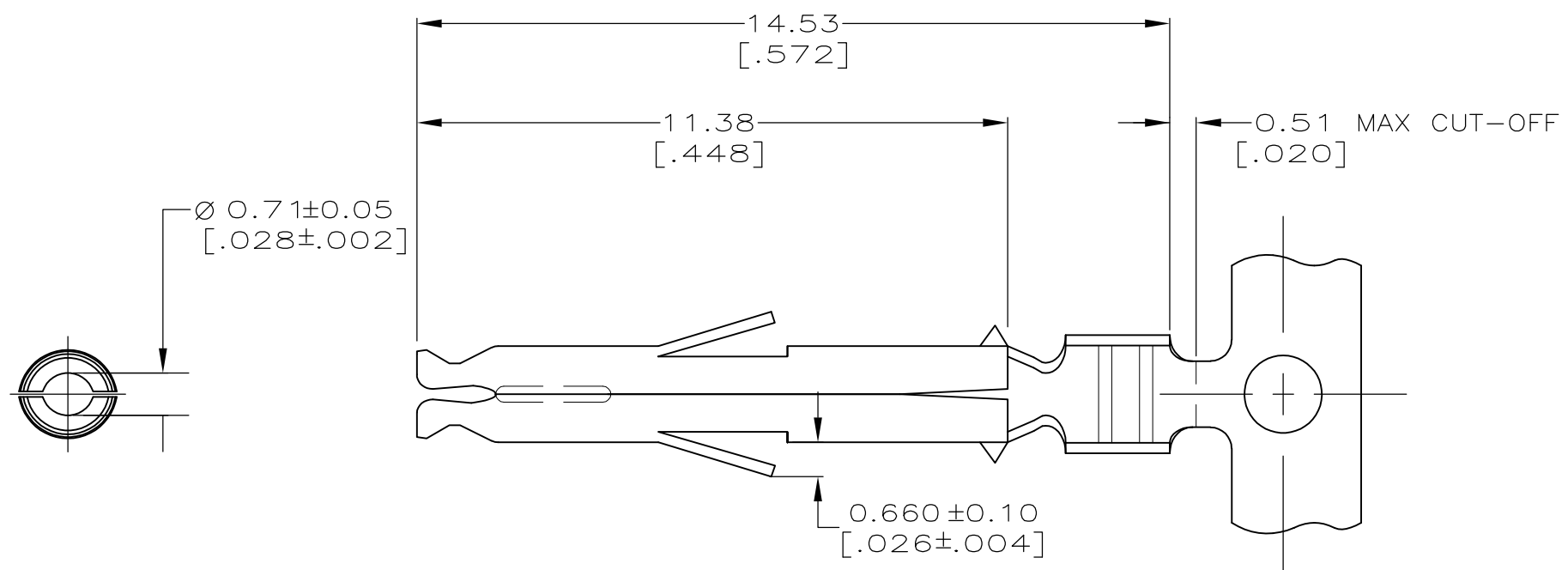


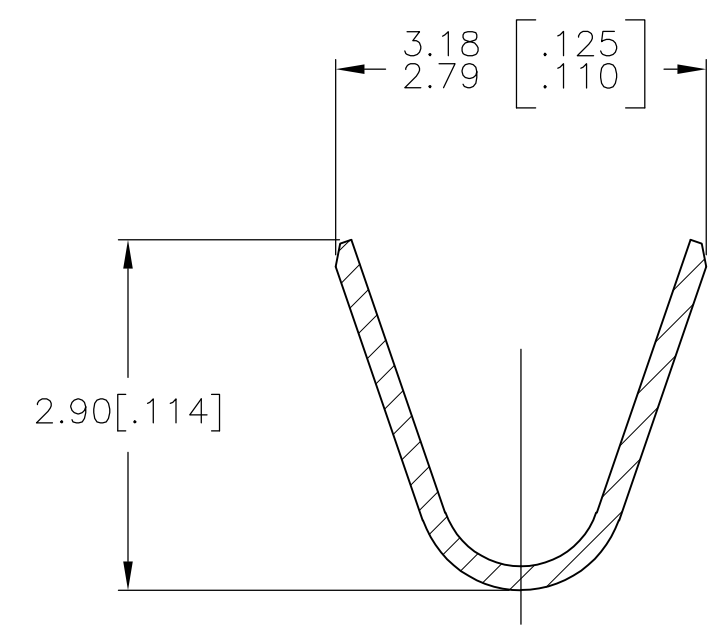
THIS DRAWING IS UNPUBLISHED. RELEASED FOR PUBLICATION
 © COPYRIGHT - By - ALL RIGHTS RESERVED.

LOC	DIST	REVISIONS			
P	LTR	DESCRIPTION	DATE	DWN	APVD
CM	00	B	REVISED PER ECR-12-018712	02NOV12	KH TM

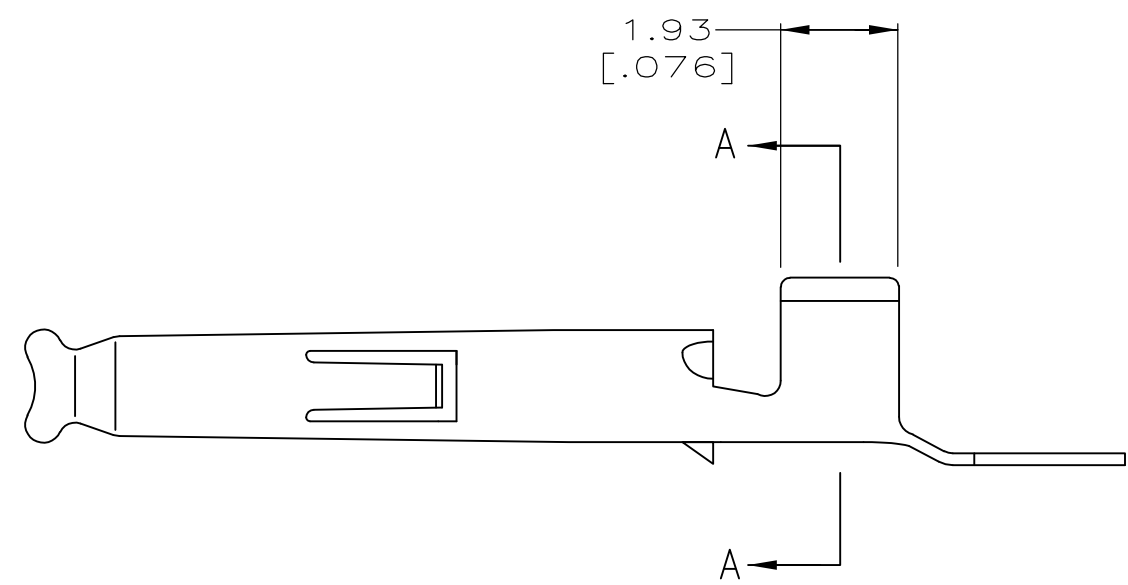


- 1 WIRE RANGE: 1.3 - 1.4 MM² (16 AWG).
- 2 INSULATION RANGE: 3.3 [.130] MAX DIA.
- 3 DIMENSIONS IN BRACKETS ARE IN INCHES.


0.660 ± 0.10
 [.026 ± .004]



SECTION A-A
 SCALE 20:1



PRE-TIN	0.20 [.008] BRASS	1586538-1
FINISH	MATERIAL	PART NO

THIS DRAWING IS A CONTROLLED DOCUMENT.		DWN K. WHITAKER 19OCT2004	 TE Connectivity											
DIMENSIONS: mm [INCHES]		CHK C. JONES 19OCT2004												
TOLERANCES UNLESS OTHERWISE SPECIFIED:		APVD C. JONES 19OCT2004												
<table border="1"> <tr><td>0 PLC</td><td>± -</td></tr> <tr><td>1 PLC</td><td>± -</td></tr> <tr><td>2 PLC</td><td>± 0.13 [.005]</td></tr> <tr><td>3 PLC</td><td>± -</td></tr> <tr><td>4 PLC</td><td>± -</td></tr> <tr><td>ANGLES</td><td>± 0°30'</td></tr> </table>		0 PLC			± -	1 PLC	± -	2 PLC	± 0.13 [.005]	3 PLC	± -	4 PLC	± -	ANGLES
0 PLC	± -													
1 PLC	± -													
2 PLC	± 0.13 [.005]													
3 PLC	± -													
4 PLC	± -													
ANGLES	± 0°30'													
MATERIAL		PRODUCT SPEC	SOCKET, MINI UNIVERSAL MATE-N-LOK(TM)											
FINISH		APPLICATION SPEC	SIZE	CAGE CODE	DRAWING NO	RESTRICTED TO								
-		WEIGHT	A3	00779	C-1586538	-								
CUSTOMER DRAWING			SCALE	SHEET	REV									
			10:1	1 OF 1	B									