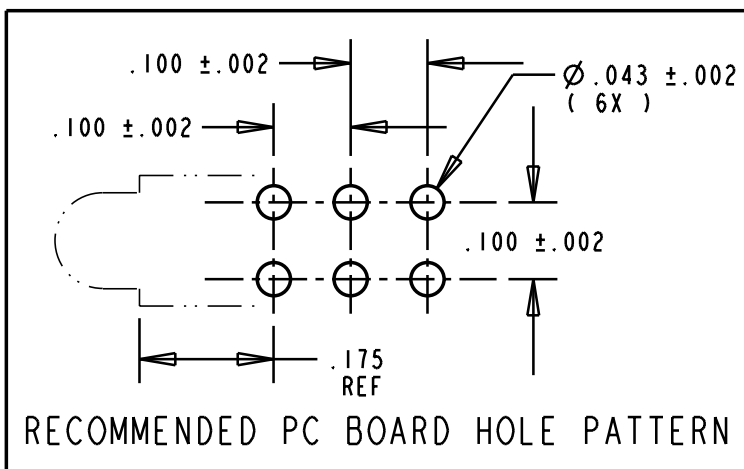


PART NUMBER and LEGEND	LED COLOR		
	POSITION 1	POSITION 2	POSITION 3
564-0700-807	GREEN DIFFUSED	GREEN DIFFUSED	YELLOW / GREEN

REV.	ECN NO.	REVISIONS	DRN.	CKD.	APP.	DATE
A	—	NEW RELEASE	DC		N.O.	10-4-94
B	—	CONVERTED TO NEW "BOTTOM" INSERT DESIGN; ADDED NOTES 3 THRU 6.	TC			

NOTES:

- LEADS TO FIT INTO HOLES SPACED AS PER HOLE PATTERN
- PIN NUMBERS FOR REFERENCE ONLY, DESIGNATION NON-EXISTENT ON PARTS.
- LEADS TO BE FREE OF DEFORMATION AFTER BENDING AND CUTTING
- LED LEAD DIMENSIONS SHOWN ARE MEASURED AT HOUSING EXIT
- .018 SQ.NOM. (SINGLE COLOR)
.020 SQ.NOM. (BI-COLOR)
- DIALIGHT PART NUMBER: 564-0700-807

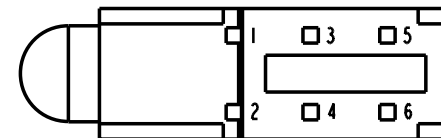
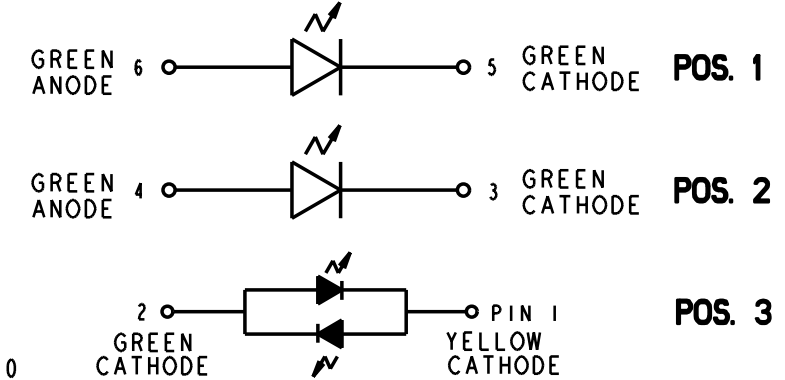
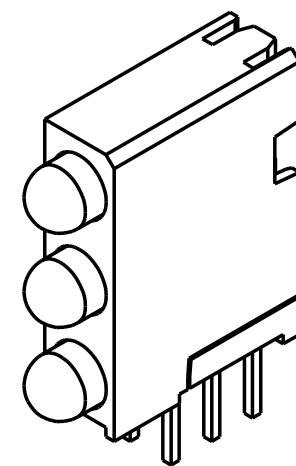
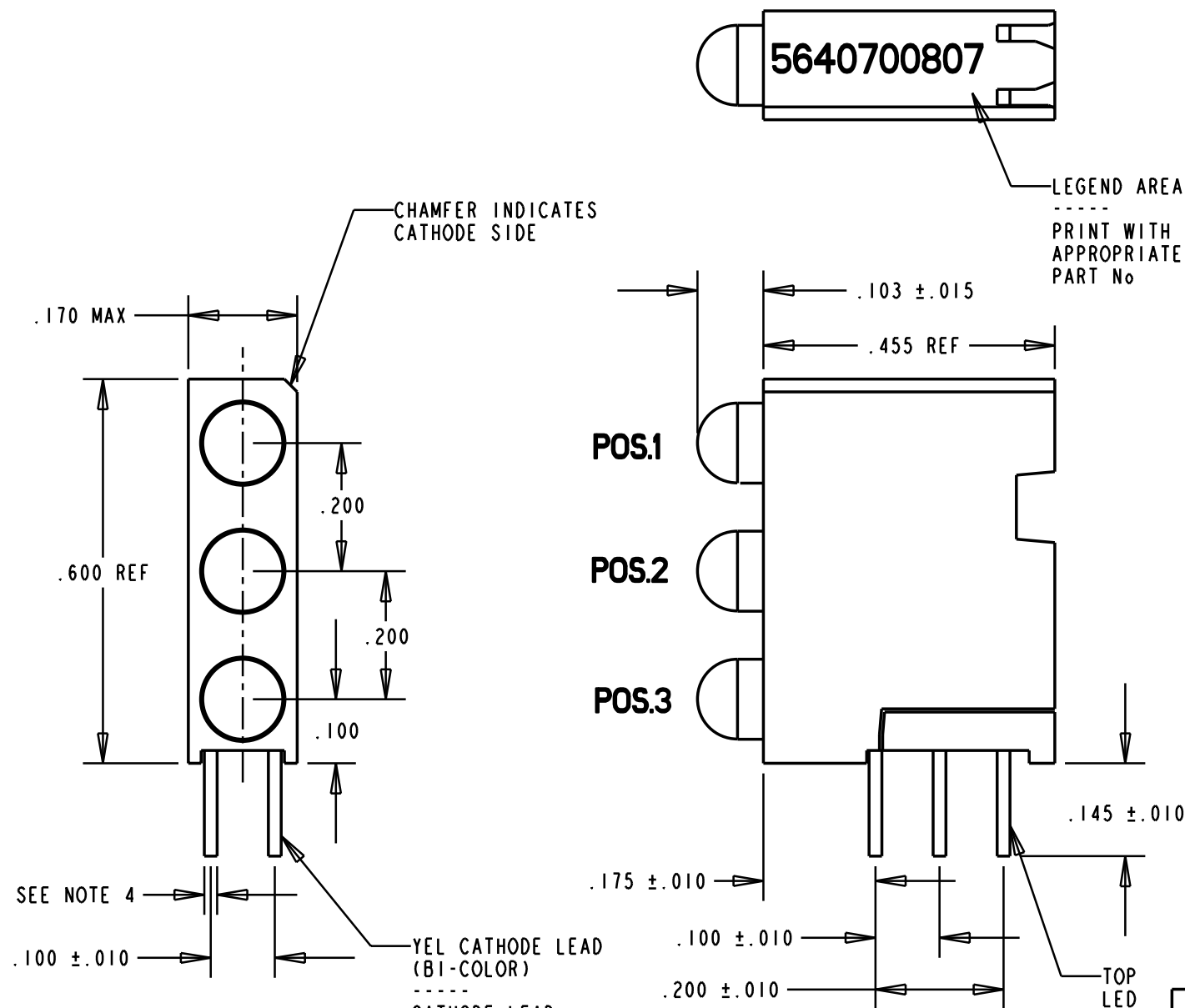


BI-COLOR LEDS
OPERATING CHARACTERISTICS AT T_A = 25 °C

SYMBOL	PARAMETER	COLOR	MIN	TYP	MAX	UNITS	TEST COND.
V _F	FORWARD VOLTAGE	YELLOW GREEN		2.0 2.0	2.6 2.6	V	I _f = 10 mA
λ _D	PEAK WAVELENGTH	YELLOW GREEN		585 565		nm	
I _V	LUMINOUS INTENSITY	YELLOW GREEN	2.5 2.5			mcd	I _f = 10 mA

OPERATING CHARACTERISTICS AT T_A = 25 °C

SYMBOL	PARAMETER	COLOR	MIN	TYP	MAX	UNITS	TEST COND.
V _F	FORWARD VOLTAGE	GREEN	1.5	2.3	3.0	V	I _f = 10 mA
V _R	REVERSE VOLTAGE	ALL	5			V	I _R = 100µA
λ _{PK}	PEAK WAVELENGTH	GREEN		565		nm	MEASURED AT PEAK
I _V	LUMINOUS INTENSITY	GREEN	4.0	8.5		mcd	I _f = 10 mA



THIS DRAWING AND THE CONTENTS HEREIN ARE CONFIDENTIAL AND THE SOLE PROPERTY OF DIALIGHT. REPRODUCTION OF THIS DRAWING OR CONSTRUCTION OF ANY PARTS WITHIN THIS DRAWING ARE FORBIDDEN WITHOUT THE WRITTEN CONSENT OF DIALIGHT.		
SCALE 4:1	DRAWING NUMBER	REV
ALL DIM'S IN: INCHES	C-15910	B
TOLERANCES: UNLESS OTHERWISE SPECIFIED	TITLE STANDARD 3X1 CBI BLOCK	
FRACTIONS: ±1/64	MATERIAL	
DECIMALS (.XX): ±.020	Dialight	
DECIMALS (.XXX): ±.015	1913 ATLANTIC AVE.	
DECIMALS (.XXXX): ±.010	MANASQUAN, N.J. 08736	
ANGLES: ±1°	FSCM 83330	
FINISH:	SHEET	OF
	FAMILY TABLE:	