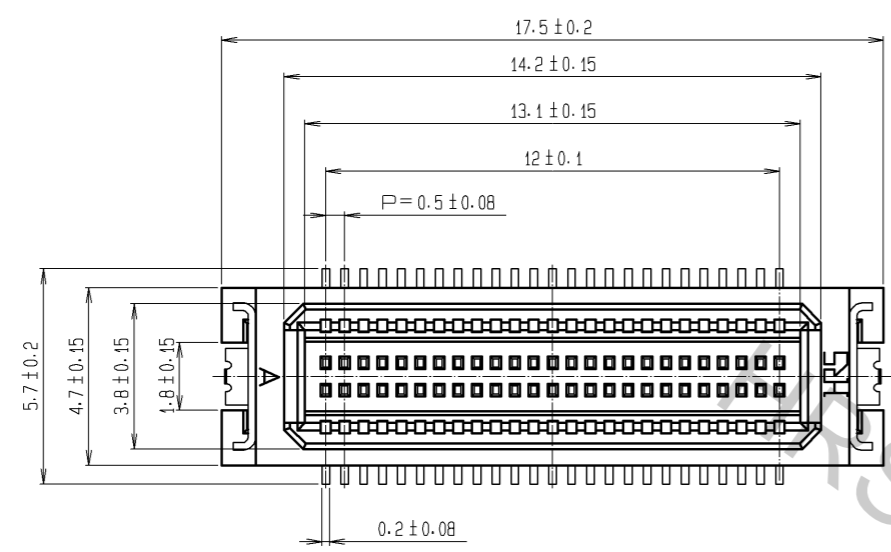
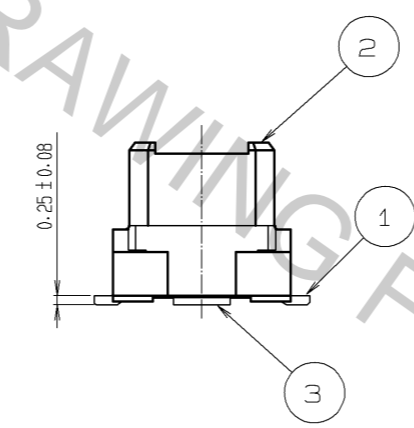
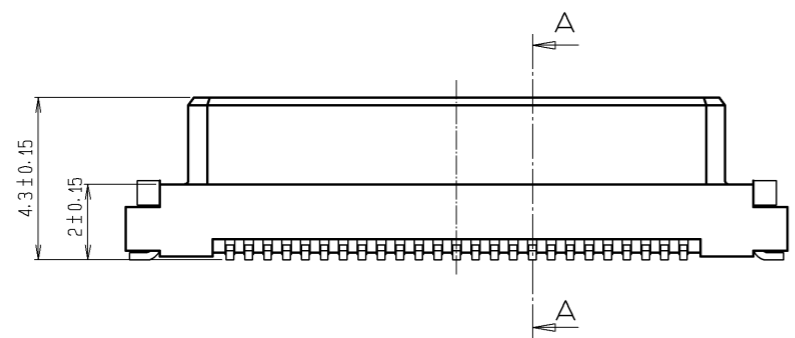
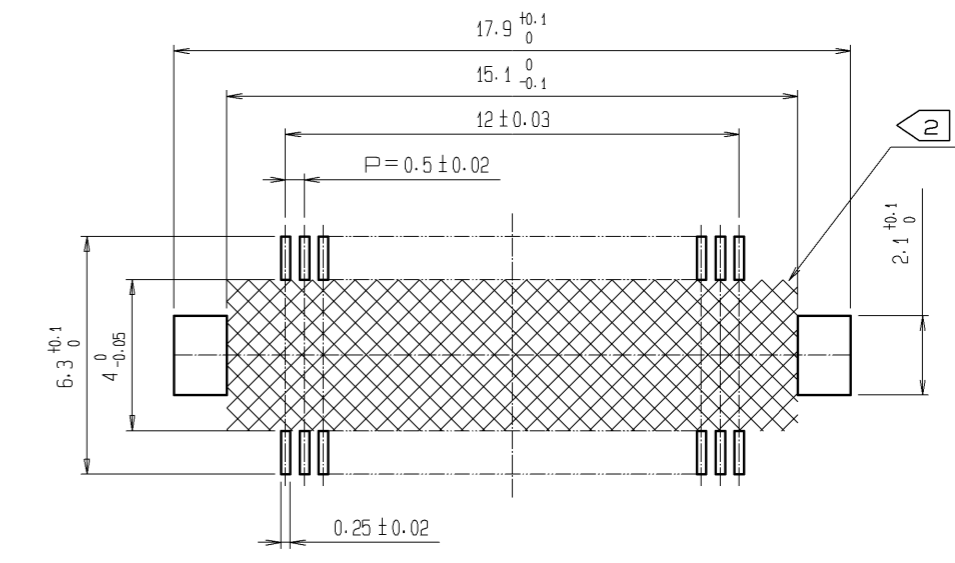


1 2 3 4 5 6 7 8

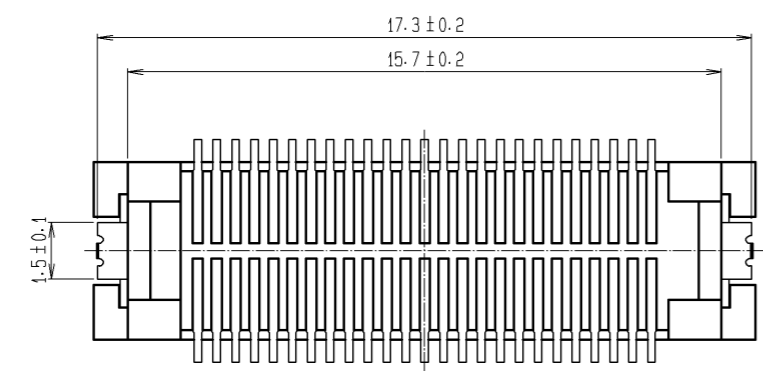
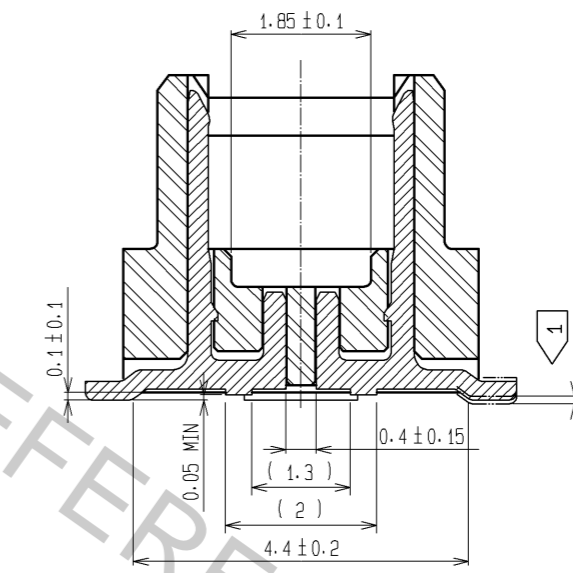
A
B
C
D
E
F



RECOMMENDED PATTERN

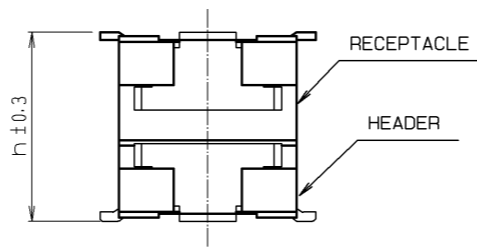


A-A (10:1)



- NOTES
- 1 LEAD CO-PLANARITY INCLUDE REINFORCED METAL FITTINGS SHALL BE 0.1mm MAX .
 - 2 WHEN A PART MARKED WITH HAS A PATTERN BUT NO RESIST ON IT. TAKE CARE TO PREVENT THE CONNECTOR FROM TOUCHING IT.

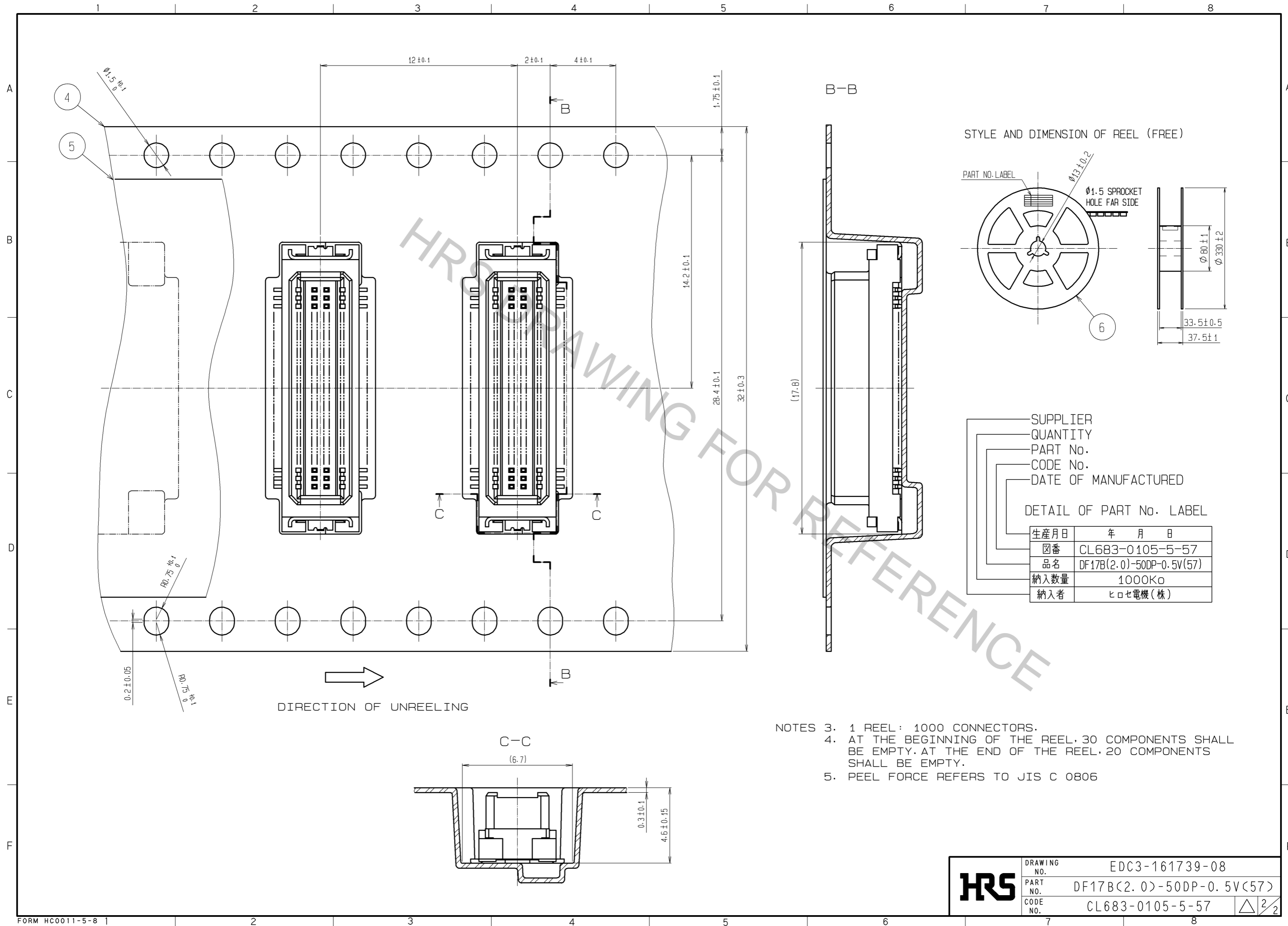
MATED HIGHT (h)	RECEPTACLE NO.	
HEADER NO.	DF17#(3.0)-50DS-0.5V(57)	DF17#(4.0)-50DS-0.5V(57)
DF17B(2.0)-50DP-0.5V(57)	5	6



NO.	MATERIAL	FINISH . REMARKS	NO.	MATERIAL	FINISH . REMARKS
2	POLYAMIDE (PA6T)	WHITE BEIGE . UL94V-0	6	PS	PLASTIC REEL . BLACK
1	PHOSPHER BRONZE	CONTACT AREA:GOLD PLATED 0.1#m min LEAD AREA:TIN PLATED 1#m min UNDER PLATING:NICKEL PLATED 1#m min	5	POLYESTER	CLEAR (COVER TAPE)
			4	A-PET	CLEAR(EMBOSSD CARRIER TAPE)
			3	PHOSPHER BRONZE	TIN PLATED : 1#m min UNDER PLATING:NICKEL PLATED 1#m min

UNITS	SCALE	COUNT	DESCRIPTION OF REVISIONS	DESIGNED	CHECKED	DATE
mm	5 : 1	△	APPROVED : KH. IKEDA 08.09.16			
			CHECED : TS. MIYAZAKI 08.09.16			
			DESIGNED : TY. YAMASAKI 08.08.19			
			DRAWN : TY. YAMASAKI 08.08.19			

DRAWING NO.	PART NO.	CODE NO.
EDC3-161739-08	DF17B(2.0)-50DP-0.5V(57)	CL683-0105-5-57



HRS	DRAWING NO.	EDC3-161739-08
	PART NO.	DF17B(2.0)-50DP-0.5V(57)
	CODE NO.	CL683-0105-5-57
		\triangle 2/2