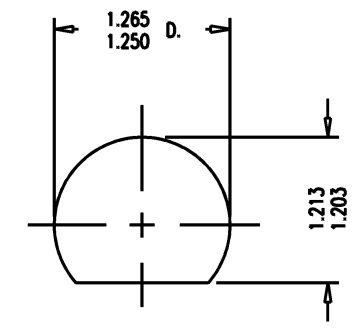
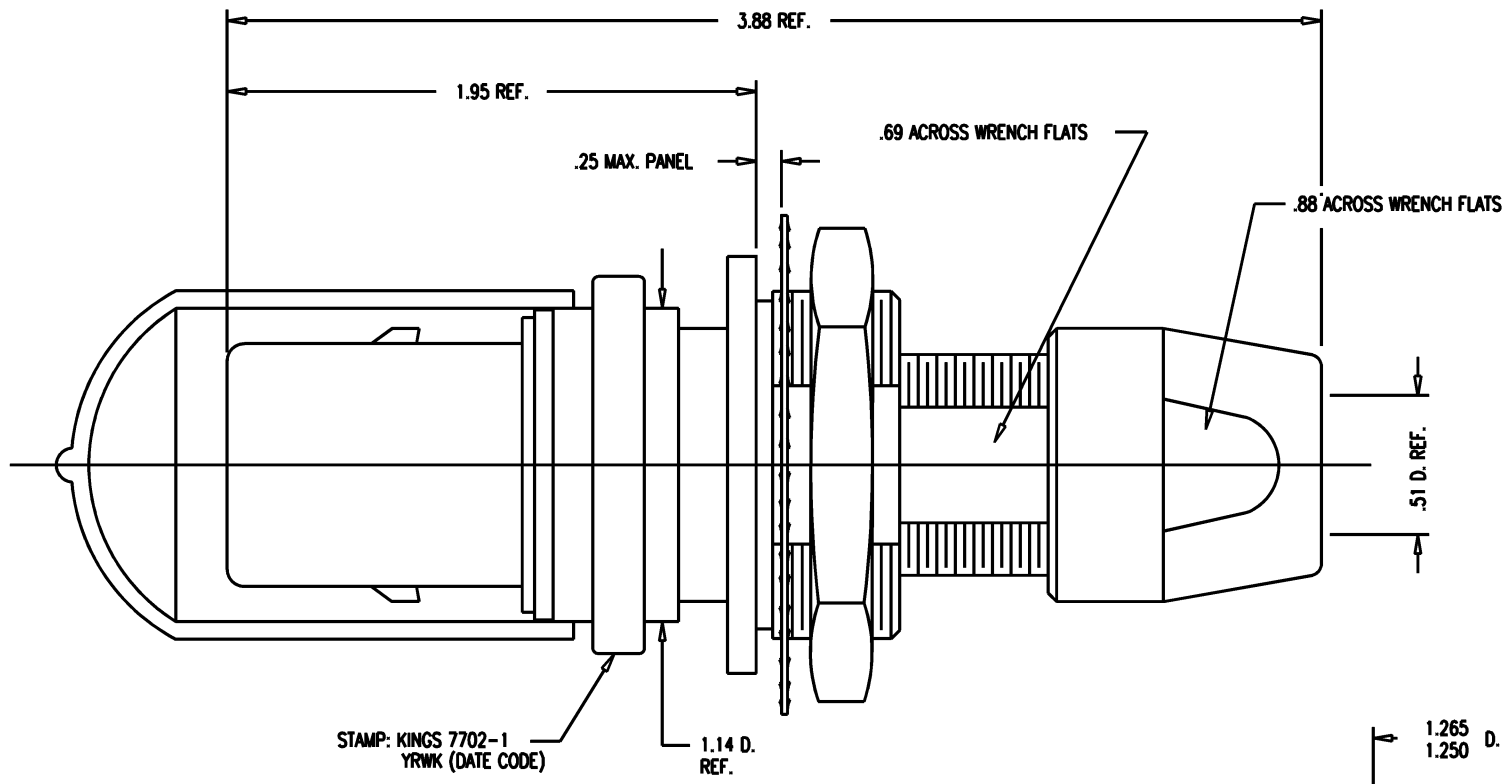


GSD

7702-1

REVISIONS	
ISSUE	CHANGES
0	ER 35427 KH 04/12/95
1	CN 37942 E TML 12/16/99



MOUNTING HOLE

GSD

NOTES:

- FOR USE WITH 700 CABLE GROUP.
- FOR CABLING INSTRUCTIONS SEE KAI-8010.
- FOR CABLE TRIMMING USE KTJ-300 AND KTD-300.
- FOR CRIMPING USE DIE SIZE 2040.
- MATERIALS:**
INSULATORS-TEFLON, ASTM-D-4894
LOCKWASHER-SPRING STEEL, PER ASTM A682
CONDUCTIVE GASKET-CONSIL C 87-10004, 60-70 DUROMETER
GASKETS-SILICONE RUBBER, ZZ-R-765
CAP-VINYL
K-GRIP SLEEVE-COMMERCIAL BRONZE, ASTM-B-135
OUTER CONTACT-PHOSPHOR BRONZE, ASTM-B-103
BODY-BER. COP., ASTM-B-196
ALL OTHER METAL PARTS-BRASS, ASTM-B16

- FINISHES:**
CENTER CONTACT-GOLD PLATE PER MIL-G-45204
LOCKWASHER }
NUTS } KINGS TARNISH RESISTANT NICKEL FINISH (TR-5)
COLLET }
OUTER BODIES }
BODY RING }
ALL OTHER METAL PARTS-SILVER PLATE PER QQ-S-365
- ELECTRICAL CHARACTERISTICS:**
NOMINAL IMPEDANCE: 75 OHMS
FREQUENCY RANGE: DC-500 MHZ
VOLTAGE BREAKDOWN: CENTER CONDUCTOR/INNER GROUND: 1500 VRMS
INNER GROUND/OUTER GROUND: 500 VRMS

SCALE 2:1	
APPROX SURFACE AREA	
USED ON	
REF: KP-8012-707-400	
PL, BKHD, TRI-LOC SERIAL DIGITAL	
DRAWN KH	04/12/95
DESIGN DW	04/13/95
APPR.	DATE
 ELECTRONICS CO., INC. ROCK HILL, SOUTH CAROLINA 29730	
7702-1	