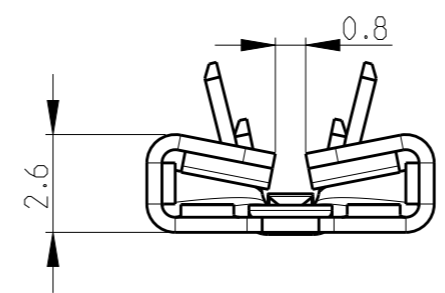
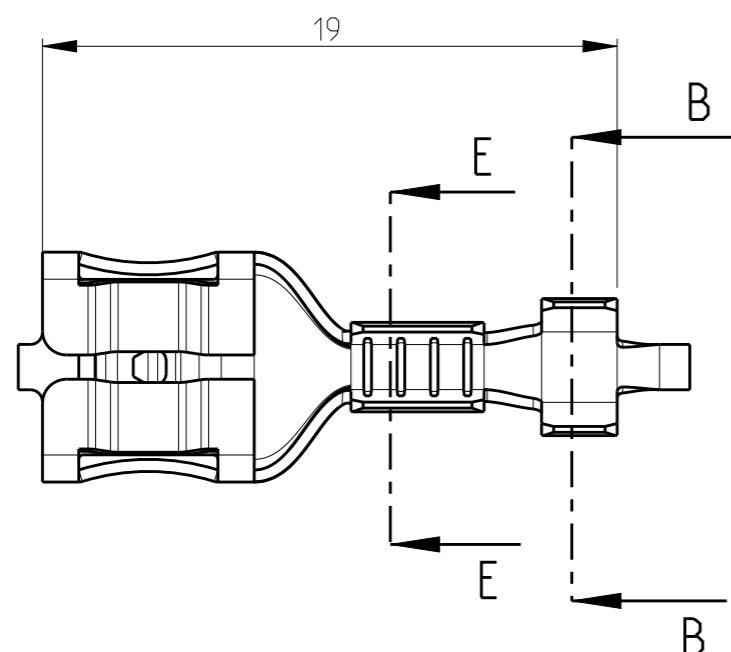
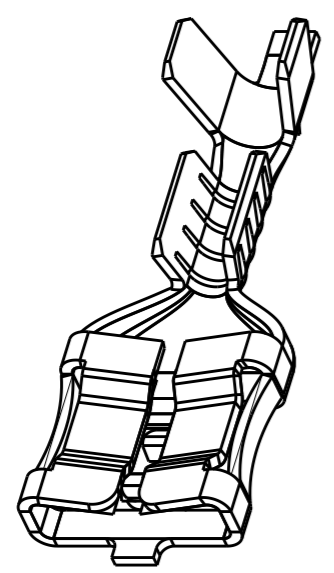
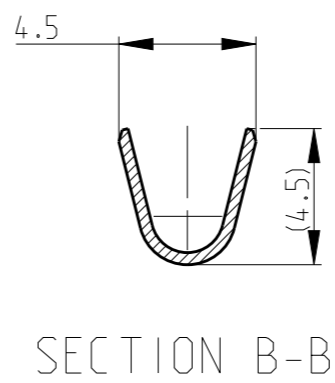
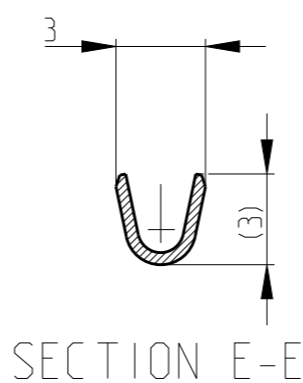
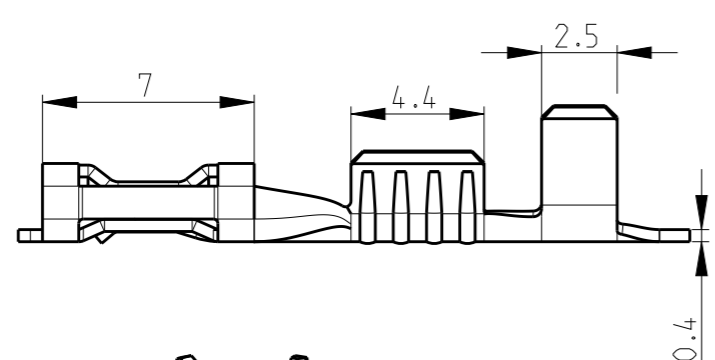


THIS DRAWING IS UNPUBLISHED. RELEASED FOR PUBLICATION 20
 © COPYRIGHT 20 BY TYCO ELECTRONICS CORPORATION ALL RIGHTS RESERVED.


LOC	DIST	REVISIONS					
		P	LTR	DESCRIPTION	DATE	DWN	APVD
-	-		A	REV.A RELEASE BASED ON REV.3	24OCT2014	DL	TD
			A1	RELEASE PER ECR-14-018864	24DEC2014	DL	TD
			A2	RELEASE PER ECR-15-004911	31MAR2015	DL	TD
			A3	RELEASE PER ECR-16-008480	12JUN2016	HG	TD



- NOTE:
- CONTINUOUS STRIP ON REELS
 - MATING TAB ACCORDING TO UL310 AND IEC61210 NORM. (WIDTH*THICKNESS IS 6.3*0.8mm)
 - WIRE SIZE IS #20-#18 AWG(0.5-1.0 sqmm)
 - INSULATION RANGE IS Ø1.8-2.5mm
 - CUT-OFF TAB LENGTH IS 0.5MM MAX.
 - PRELIMINARY, NOT FOR PRODUCTION.



Pre-Tin Plated	BRASS	△ 2178299-2
Pre-NICKEL	Steel	2178299-1
FINISH	MATERIAL	PART NO.

THIS DRAWING IS A CONTROLLED DOCUMENT.		DWN VIBHUTHI 19NOV2012	 TE Connectivity			
DIMENSIONS: mm		CHK SUBHASH M 19NOV2012				
TOLERANCES UNLESS OTHERWISE SPECIFIED:		APVD SURESH T N 19NOV2012				
0 PLC ±0.5 1 PLC ±0.5 2 PLC ±0.25 3 PLC ± 4 PLC ± ANGLES ±1°		PRODUCT SPEC 108-64027				
MATERIAL SEE TABLE		FINISH SEE TABLE	NAME 6.3 SRS F-SPRING LIF RECEPTACLE			
		APPLIC. SPEC 114-64027	SIZE A3	CAGE CODE 00779	DRAWING NO. ©=2178299	RESTRICTED TO -
		WEIGHT -	SCALE 4:1		SHEET 1 OF 1	REV A3
		Customer Drawing				