

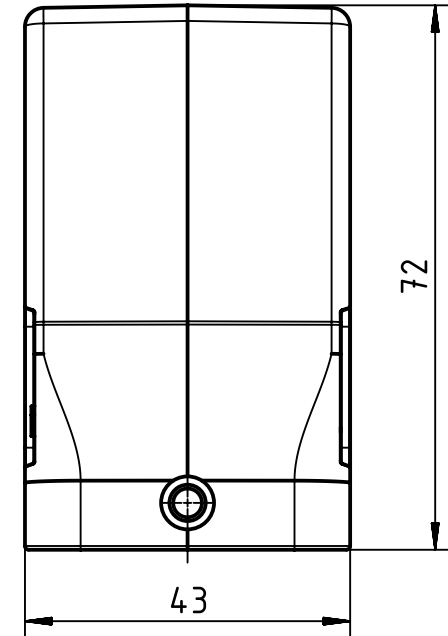
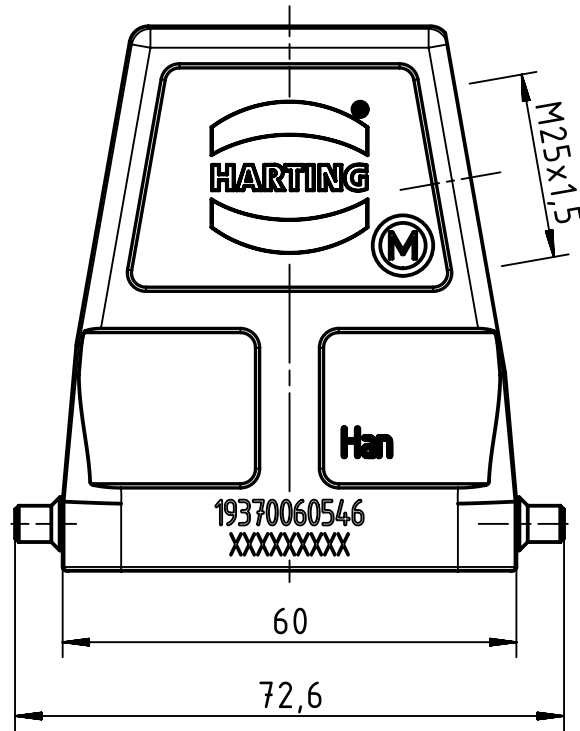
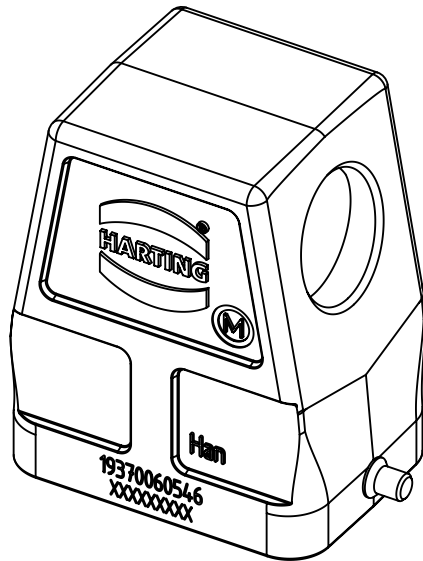
1 2 3 4 5 6

A

B

C

D



	All Dimensions in mm Original Size DIN A4		Scale 1:1	Free size tol.		Ref.
						Sub.
	All rights reserved		Created by HOLLERT	Inspected by BERGHORN	Standardisation TIEMANNA	Date 2014-01-30
	Department EL PD - DE		Title Han M Hood Side Entry HC 2 Pegs M25			State Final Release
HARTING Electric GmbH & Co. KG D-32339 Espelkamp			Type TB	Number 19 37 006 0546		Doc-Key / ECM-Nr. 100125964/UGD/006/B 500000071130
					Rev. B	Page 1/1