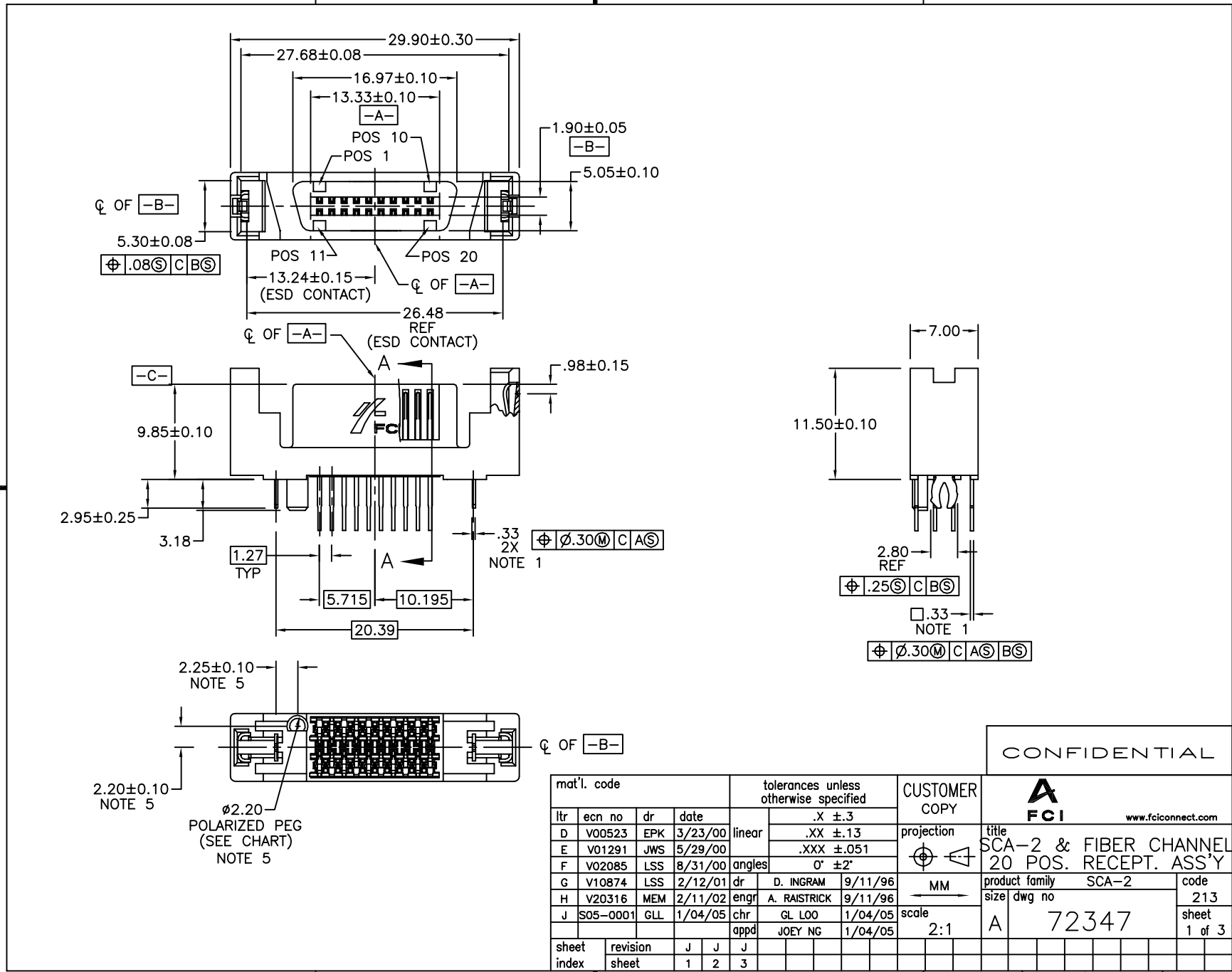


Tous droits strictement reserves. Reproduction ou communication a des tiers interdite sous quelque forme que ce soit sans autorisation ecrite du proprietaire. Propriete de c FCI. Droits de reproduction FCI.

All rights strictly reserved. Reproduction or issue to third parties in any form whatever is not permitted without written authority from the proprietor. Property of FCI. Copyright FCI.



CONFIDENTIAL

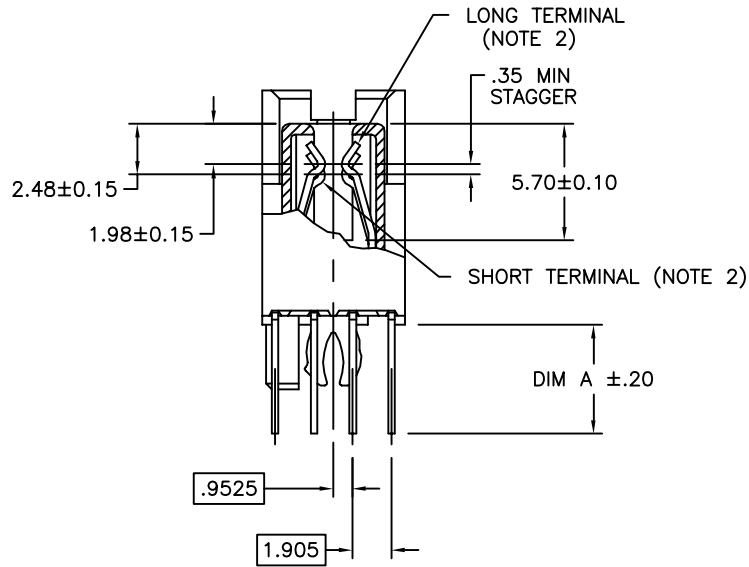
mat'l. code				tolerances unless otherwise specified				CUSTOMER COPY		 www.fciconnect.com	
ltr	ecn no	dr	date	linear	.X ±.3		projection	title			
D	V00523	EPK	3/23/00		.XX ±.13			SCA-2 & FIBER CHANNEL		code	
E	V01291	JWS	5/29/00	angles	.XXX ±.051		MM	size		213	
F	V02085	LSS	8/31/00		0° ±2°			product family		sheet	
G	V10874	LSS	2/12/01	dr	D. INGRAM	9/11/96	SCA-2		1 of 3		
H	V20316	MEM	2/11/02	engr	A. RAISTRICK	9/11/96	size		213		
J	S05-0001	GLL	1/04/05	chr	GL L00	1/04/05	scale		213		
				appd	JOEY NG	1/04/05	2:1		213		
sheet index	revision sheet	J	J	J			A		72347		
		1	2	3			cage code		22526		

ACAD

Tous droits strictement reserves. Reproduction ou communication a des tiers interdite sous quelque forme que ce soit sans autorisation ecrite du proprietaire. Propriete de c FCI. Droits de reproduction FCI.



All rights strictly reserved. Reproduction or issue to third parties in any form whatever is not permitted without written authority from the proprietor. Property of FCI. Copyright FCI.



SECTION A-A

CONFIDENTIAL

mat'l. code		tolerances unless otherwise specified		CUSTOMER COPY		 www.fciconnect.com	
ltr	ecn no	dr	date	linear	.X ±.3	projection	
J					.XX ±.13		
					.XXX ±.051		
				angles	0° ±2°	 MM scale 2:1	title SCA-2 & FIBER CHANNEL 20 POS. RECEPT. ASS'Y product family SCA-2 size dwg no A 72347 code 213 sheet 2 of 3
		dr	D. INGRAM	9/11/96			
		enfr	A. RAISTRICK	9/11/96			
		chr	GL L00	1/04/05			
		appd	JOEY NG	1/04/05			
sheet index	revision sheet						

cage code 22526

ACAD

PDM: Rev:J

STATUS: Released

Printed: Mar 11, 2011

Tous droits strictement reserves. Reproduction ou communication a des tiers interdite sous quelque forme que ce soit sans autorisation ecrite du proprietaire. Propriete de c FCI. Droits de reproduction FCI.

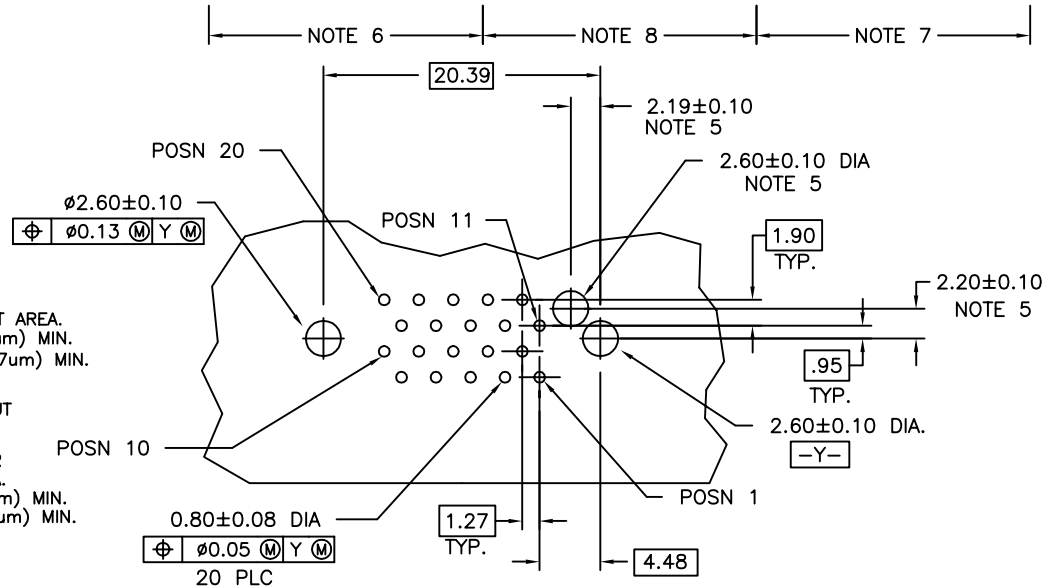
FCI

All rights strictly reserved. Reproduction or issue to third parties in any form whatever is not permitted without written authority from the proprietor. Property of FCI. Copyright FCI.

PRODUCT NUMBER	"A" DIM	POLARIZATION PEG	PLATING	RECOMMENDED P.C. BOARD THICKNESS	PRODUCT NUMBER	PLATING	PRODUCT NUMBER	PLATING	PRODUCT NUMBER	PLATING
72347-001	2.79	YES	NOTE ④	1.57mm (0.062")	72347-101	NOTE ⑥	72347-001LF	NOTE ⑧	72347-101LF	NOTE ⑦
72347-002	2.79	NO			72347-102		72347-002LF		72347-102LF	
72347-003	3.18	YES		72347-103	72347-003LF		72347-103LF			
72347-004	3.18	NO		72347-104	72347-004LF		72347-104LF			
72347-005	4.06	YES		72347-105	72347-005LF		72347-105LF			
72347-006	4.06	NO		72347-106	72347-006LF		72347-106LF			

NOTES :

- TRUE POSITION NOTES APPLY AT TERMINAL TIP.
- CONTACTS IN POSITIONS 1 THRU 10 AND 15 & 16 ARE SHORT TERMINALS. CONTACTS IN POSITIONS 11, 12, 13, 14, AND 17, 18, 19, 20 ARE LONG TERMINALS.
- RAW MATERIALS:
HOUSING: HTN, UL94V-0, COLOR: BLACK
CONTACTS: PHOSPHOR-BRONZE
- CONTACT PLATING: 30u" (0.76um) MIN. GXT PLATING OVER 50u" (1.27um) NICKLE MIN. UNDERPLATE IN CONTACT AREA. 100u" (2.54um) MIN. TIN-LEAD PLATING OVER 50u" (1.27um) MIN. NICKLE UNDERPLATE IN P.C. BOARD LEG AREA. 50u" (1.27um) MIN. NICKLE UNDERPLATE OVER REMAINING AREA.
- DIMENSIONS DO NOT APPLY TO CONNECTOR STYLES WITHOUT POLARIZATION PEG. (SEE CHART)
- CONTACT PLATING: 30u" (0.76um) MIN. GOLD PLATING OVER 50u" (1.27um) NICKEL MIN. UNDERPLATE IN CONTACT AREA. 100u" (2.54um) MIN TIN-LEAD PLATING OVER 50u" (1.27um) MIN. NICKEL UNDERPLATE IN P.C. BOARD LEG AREA. 50u" (1.27um) MIN. NICKEL UNDERPLATE OVER REMAINING AREA.
- CONTACT PLATING: 30u" (0.76um) GOLD PLATING OVER 50u" (1.27um) NICKLE UNDERPLATE IN CONTACT AREA. 100u" (2.54um) - 200u"(5.08um) TIN PLATING OVER 50u" (1.27um) -100u" (2.54um) NICKEL UNDERPLATE IN P.C. BOARD LEG AREA. 50u" (1.27um) NICKEL UNDERPLATE OVER REMAINING AREA.
- CONTACT PLATING: 30u" (0.76um) GXT PLATING OVER 50u" (1.27um) NICKLE UNDERPLATE IN CONTACT AREA. 100u" (2.54um) - 200u"(5.08um) TIN PLATING OVER 50u" (1.27um) -100u" (2.54um) NICKEL UNDERPLATE IN P.C. BOARD LEG AREA. 50u" (1.27um) NICKEL UNDERPLATE OVER REMAINING AREA.
- THE HOUSING WILL WITHSTAND EXPOSURE TO 260°C PEAK TEMPERATURE FOR 10 SECONDS IN A WAVE SOLDER APPLICATION WITH A 1.57MM THICK CIRCUIT BOARD.
- THIS PRODUCT MEETS EUROPEAN UNION DIRECTIVES AND OTHER COUNTRY REGULATIONS AS DESCRIBED IN GS-22-008.



RECOMMENDED PC BOARD MOUNTING DIMENSIONS COMPONENT SIDE

CONFIDENTIAL

mat'l. code				tolerances unless otherwise specified			CUSTOMER COPY		 www.fciconnect.com	
ltr	ecn no	dr	date	linear	.X ±.3	projection			title	
J				angles	.XX ±.13	MM			SCA-2& FIBER CHANNEL	
				dr	.XXX ±.051	MM			20 POS. RECEPT. ASS'Y	
				engr	0° ±2°	MM	product family		code	
				chr	D. INGRAM 9/11/96	MM	SCA-2		213	
				appd	A. RAISTRICK 9/11/96	MM	size		sheet	
					chr GL L00 1/04/05	MM	dwg no		213	
					appd JOEY NG 1/04/05	MM	A 72347		3 of 3	
sheet index	revision sheet						scale 2:1			

cage code 22526

ACAD

PDM: Rev:J

STATUS:Released

Printed: Mar 11, 2011