

4

3

2

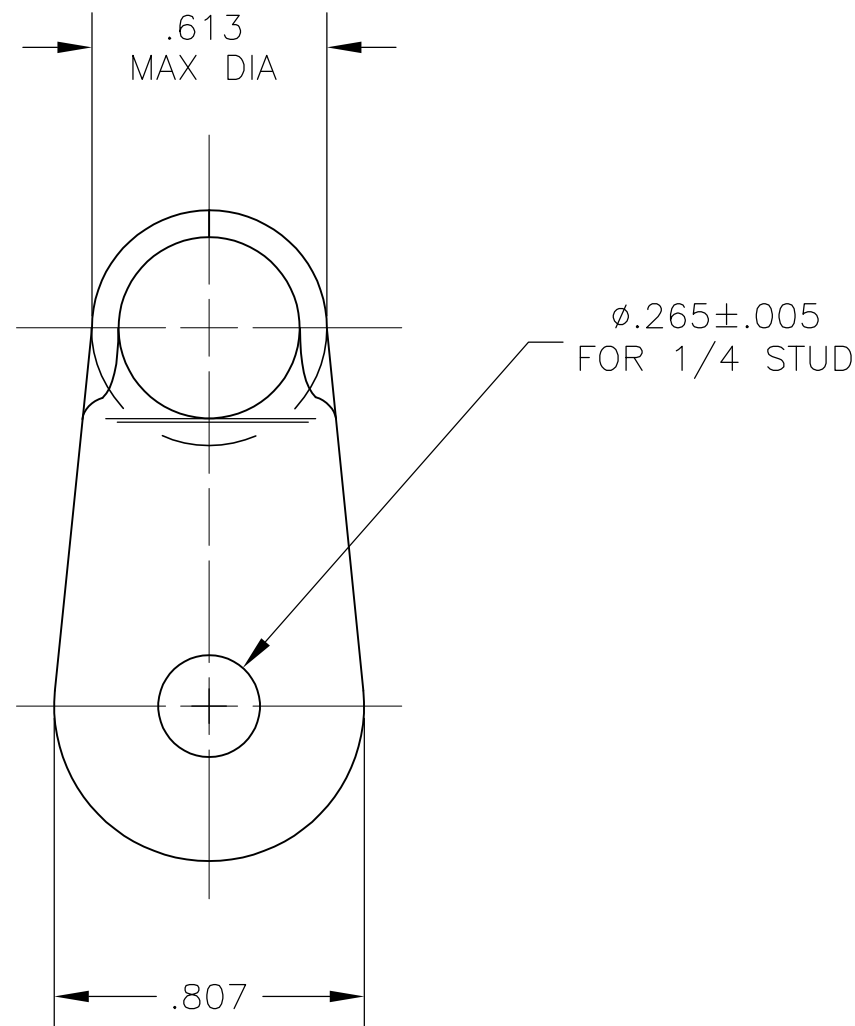
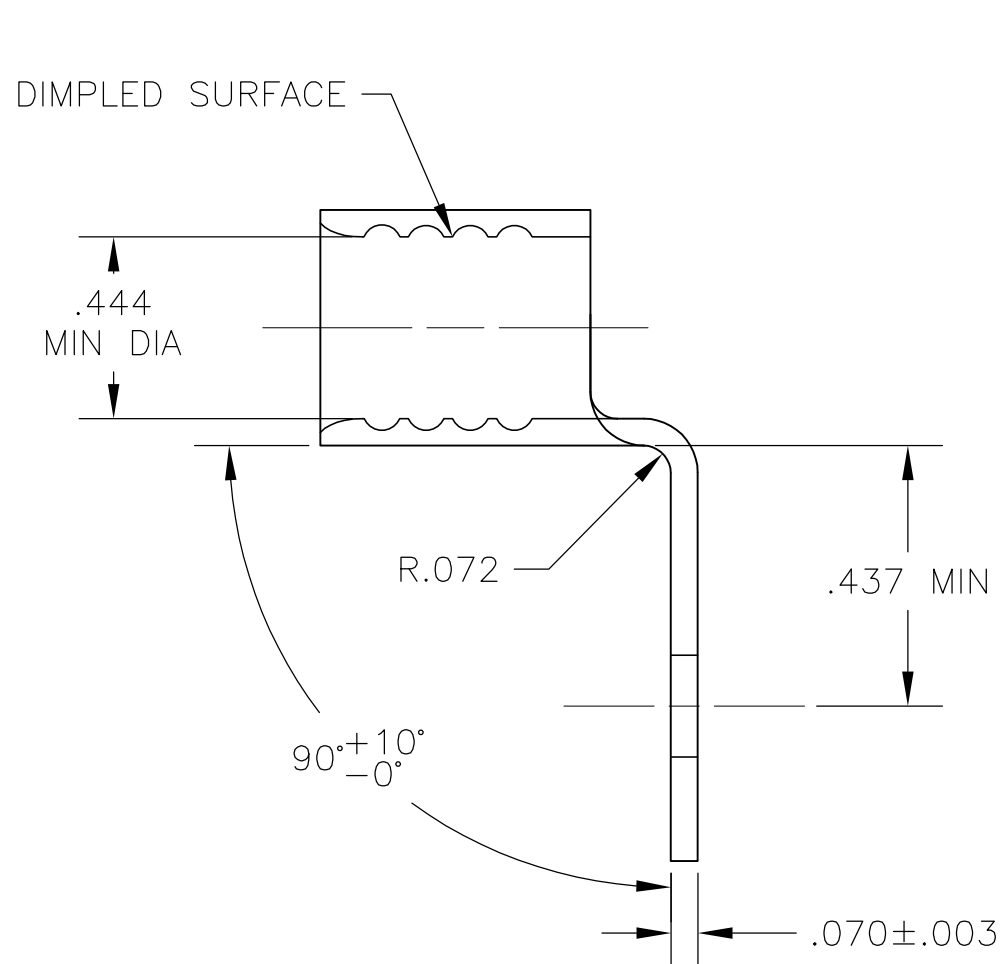
1

THIS DRAWING IS UNPUBLISHED. RELEASED FOR PUBLICATION

© COPYRIGHT BY TYCO ELECTRONICS CORPORATION. ALL RIGHTS RESERVED.

LOC	DIST	REVISIONS					
G	14	P	LTR	DESCRIPTION	DATE	DWN	APVD
		A		REL PER ECR 07-012664	30MAY07	JR	MS

- 1 COPPER PER ASTM B-152, ANNEALED
- 2 NICKEL PLATE .000300 MIN THK PER QQ-N-290



1958123-1  
PART NO

THIS DRAWING IS A CONTROLLED DOCUMENT.		DWN jr_ruth 26apr07	Tyco Electronics Corporation Harrisburg, Pa 17105-3608	
DIMENSIONS: INCHES	TOLERANCES UNLESS OTHERWISE SPECIFIED:	CHK MJ SPICER 26APR07	NAME	
	0 PLC ± -	APVD MJ SPICER 26APR07	WIRE TERMINAL	
	1 PLC ± -	PRODUCT SPEC	SOLISTRAND, RING TONGUE, BENT 90	
	2 PLC ± -	APPLICATION SPEC	WIRE SIZE: 1/0	
	3 PLC ± .008	WEIGHT	SIZE	CAGE CODE
	4 PLC ± -		A3	00779
	ANGLES ± 5°		DRAWING NO	
MATERIAL	FINISH		G-1958123	
- 1	- 2	CUSTOMER DRAWING		RESTRICTED TO
		SCALE	SHEET	REV
		2:1	1 OF 1	A