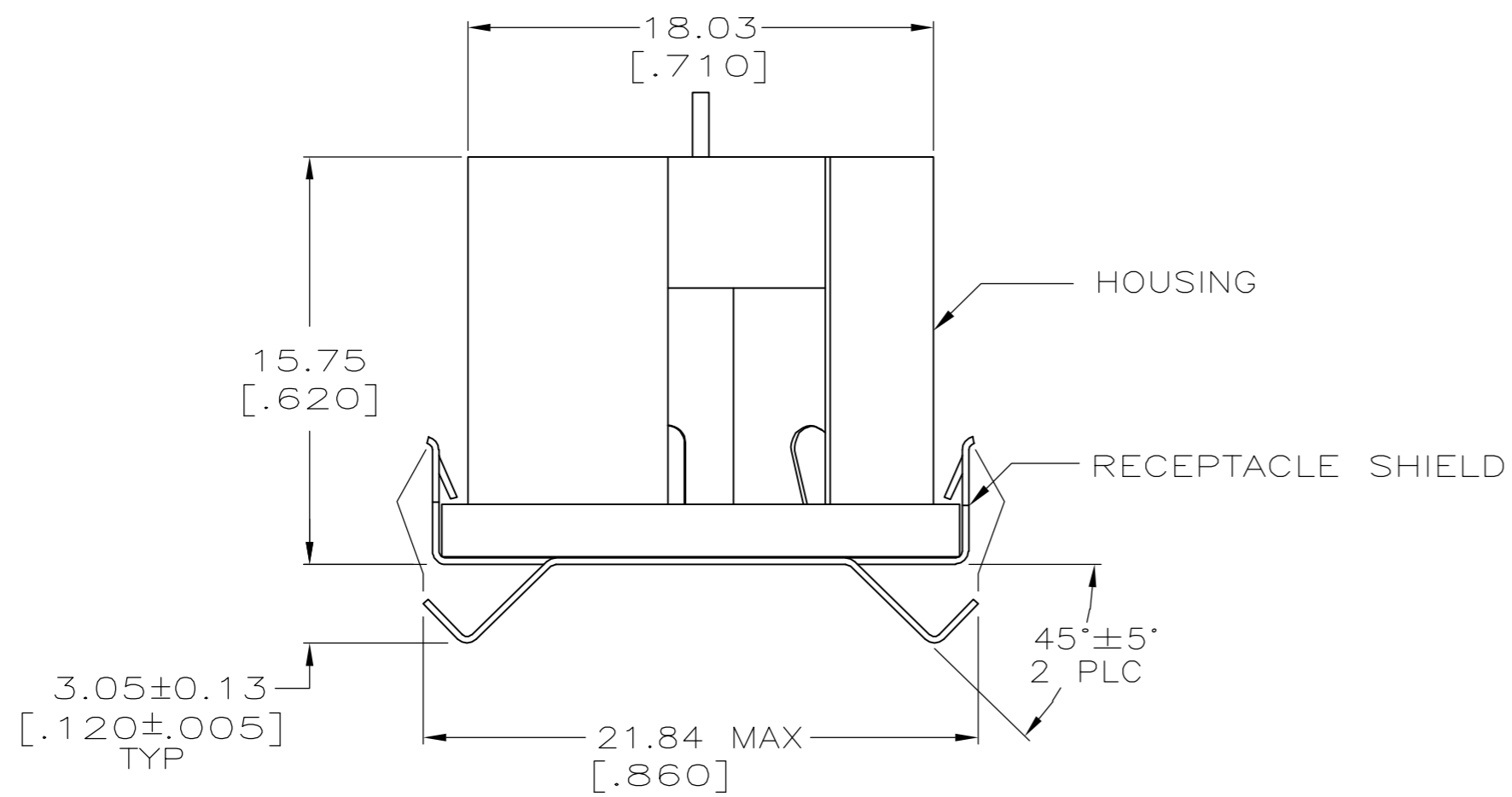
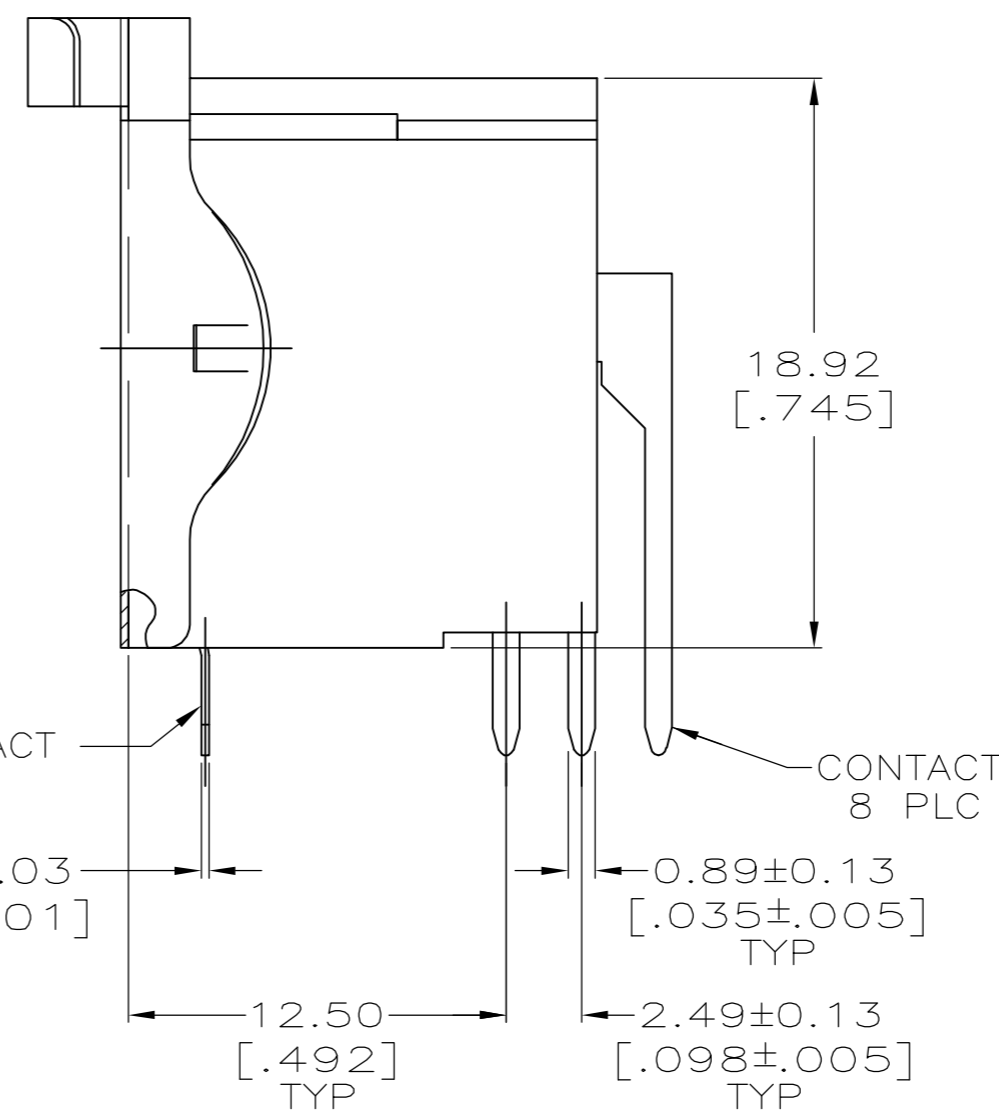
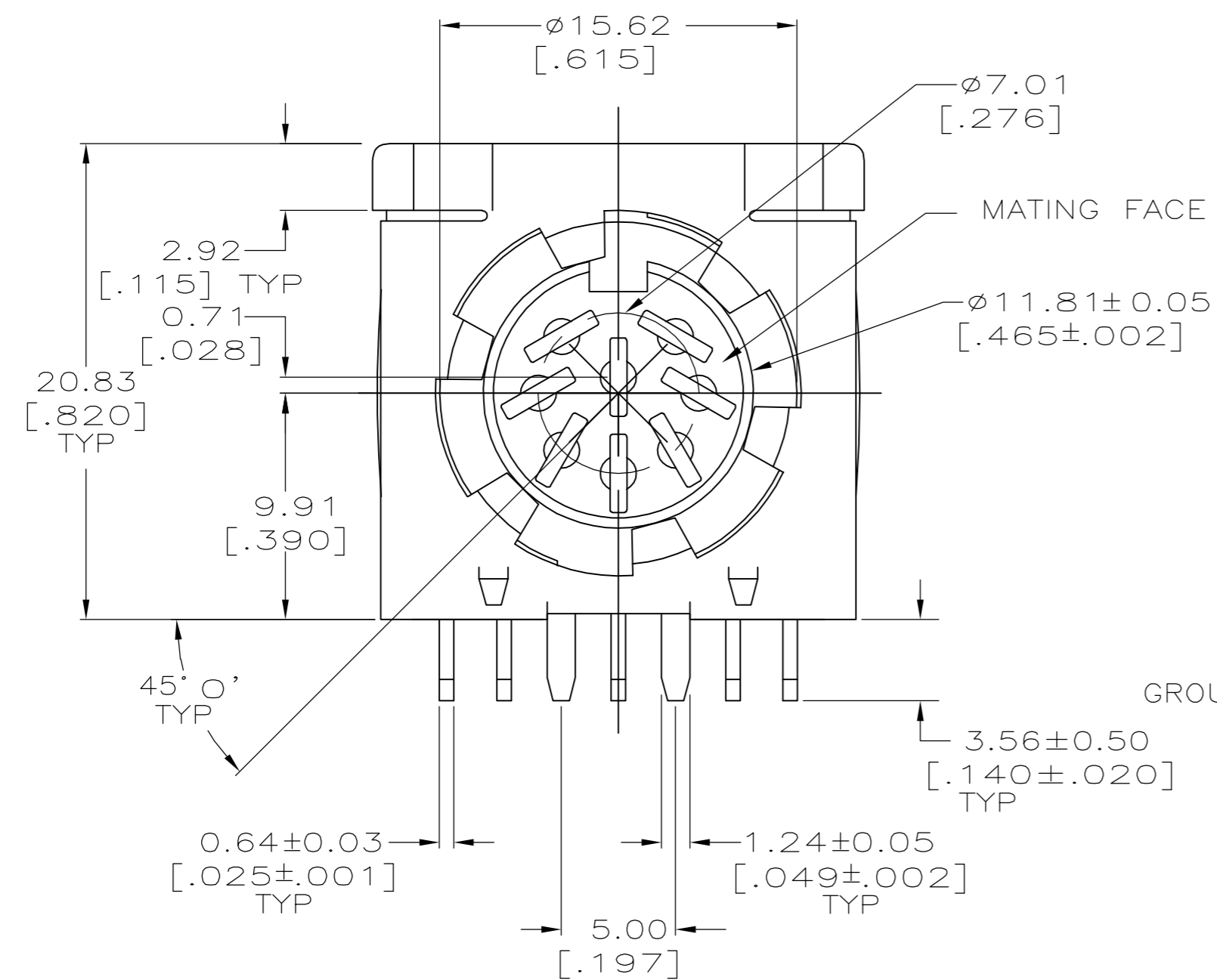


THIS DRAWING IS UNPUBLISHED. RELEASED FOR PUBLICATION
 © COPYRIGHT BY TYCO ELECTRONICS CORPORATION. ALL RIGHTS RESERVED.

LOC		DIST		REVISIONS			
P	LTR	DESCRIPTION		DATE	DWN	APVD	
GP	00	01		REVISED PER ECO-07-008008	10APR07	JDP/CWR	



- ① HOUSING: NYLON, UL 94V-0 RATED, BLACK.
- ② CONTACTS & RECEPTACLE SHIELD: 2.54µm [.000100] MIN TIN OVER 1.27µm [.000050] MIN NICKEL.
- ③ CONTACTS & RECEPTACLE SHIELD: BRASS.



5787013

5787013-1
PART NO

THIS DRAWING IS A CONTROLLED DOCUMENT.		DWN L. VARELA - DOCK5 11-12-04	Tyco Electronics Corporation Harrisburg, PA 17105-3608	
DIMENSIONS: mm [INCHES]	TOLERANCES UNLESS OTHERWISE SPECIFIED:	CHK C. ROHDE 11-12-04	NAME M. WALMSLEY 11-12-04	
	0 PLC ± - 1 PLC ± - 2 PLC ± 0.13 [.005] 3 PLC ± - 4 PLC ± - ANGLES ± 0° 30'	APVD M. WALMSLEY 11-12-04	PRODUCT SPEC 108-10047	
		APPLICATION SPEC 114-40025	SIZE A2	CAGE CODE 00779
MATERIAL ① ③	FINISH ②	WEIGHT -	DRAWING NO C=5787013	RESTRICTED TO -
CUSTOMER DRAWING			SCALE 4:1	SHEET 1 of 1
			REV 01	