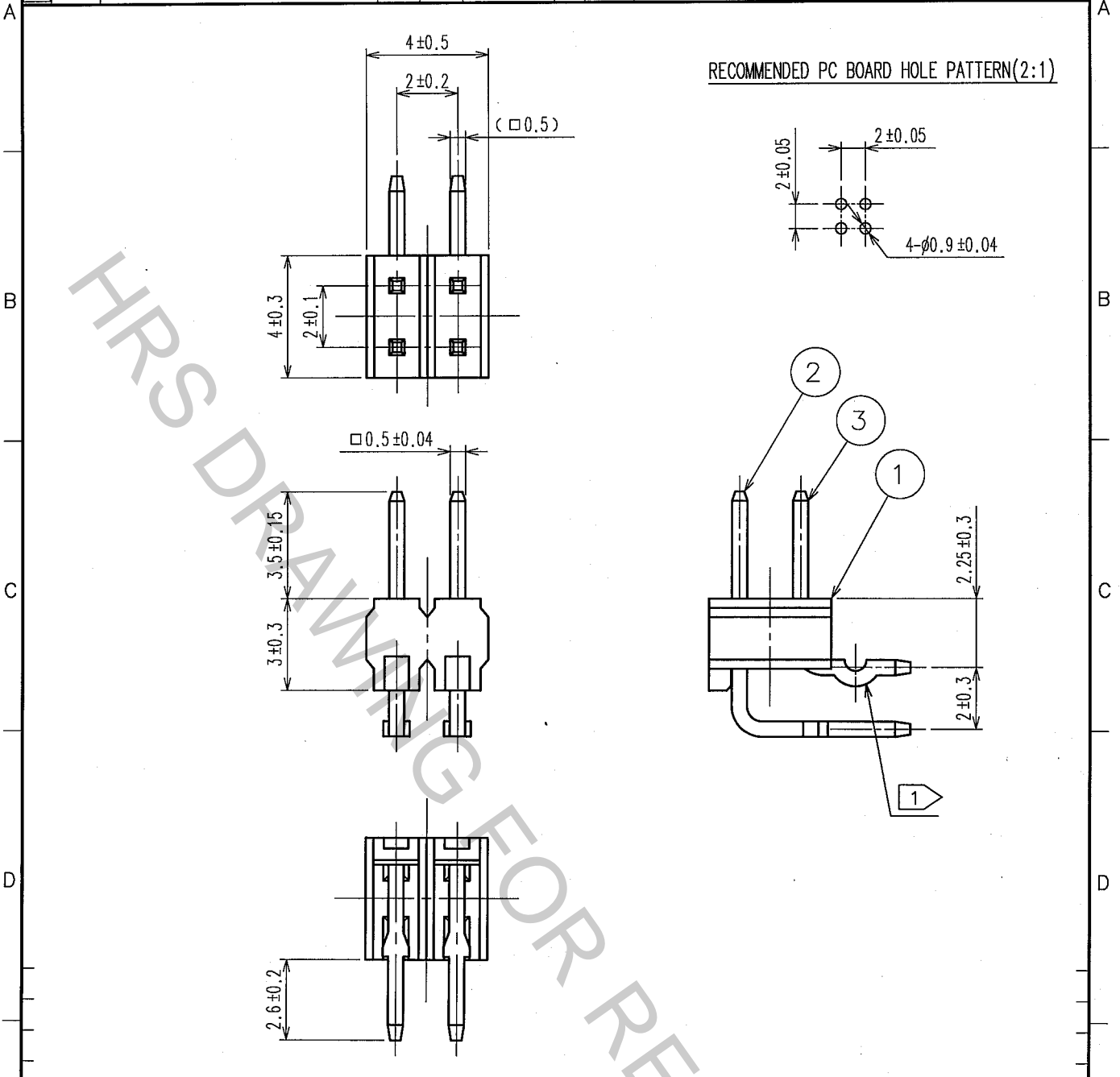


1					2					3					4				
COUNT	DESCRIPTION OF REVISIONS				BY	CHKD	DATE	COUNT	DESCRIPTION OF REVISIONS				BY	CHKD	DATE				
△								△											
△								△											
△								△											



NOTE ① APPLICABLE PCB THICKNESS FOR KINKED TERMINAL: 1.6 mm 2 TERMINALS SHALL BE KINKED.  
 2. THE DIMENSIONS IN PARENTHESES ARE FOR REFERENCE.

1	POLYAMIDE	BLACK UL94V-0	2,3	BRASS	CONTACT AREA : GOLD FLASH DIP AREA : TIN-PLATING 2μ m min. UNDER PLATING : NICKEL 2.5μ m min.		
NO.	MATERIAL	FINISH, REMARKS	NO.	MATERIAL	FINISH, REMARKS		
CODE NO. (OLD) CL			DRAWN A. SUZUKAWA '06.09.27	DESIGNED <i>K. Nakamura</i> '06.09.27	CHECKED <i>C. Ozawa</i> '06.09.27	APPROVED <i>H. Okawa</i> '06.09.27	RELEASED
DRAWING NO. EDC4-080110-21			PART NO. A3B-4PA-2DS(71)				
SCALE 5:1			CODE NO. CL621-0351-5-71				1/1
UNITS mm			HRS HIROSE ELECTRIC CO., LTD.				FORM NO. 228

TO

