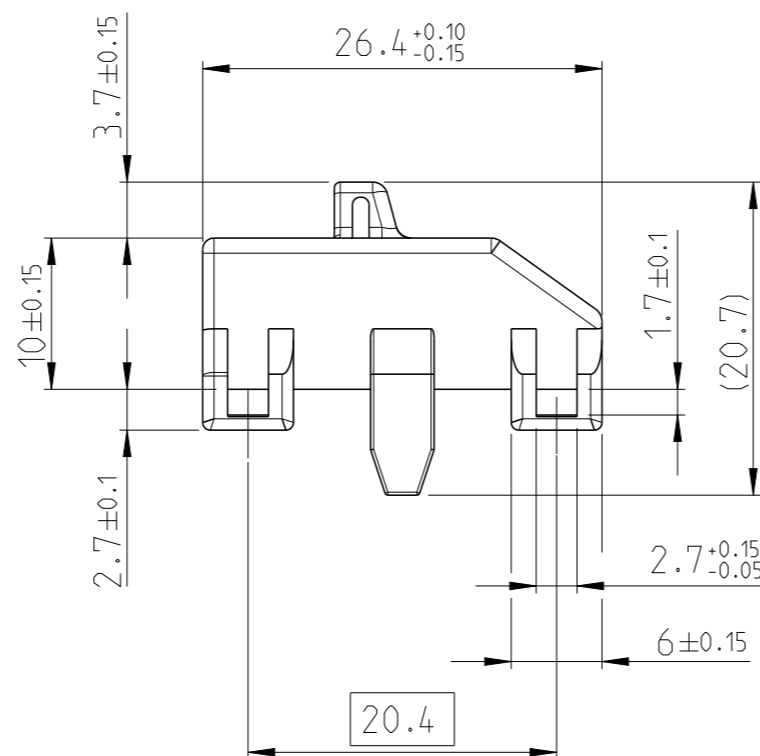
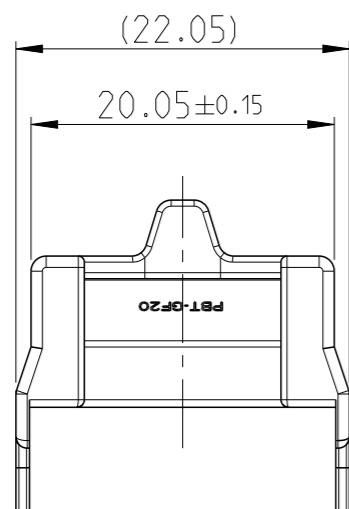
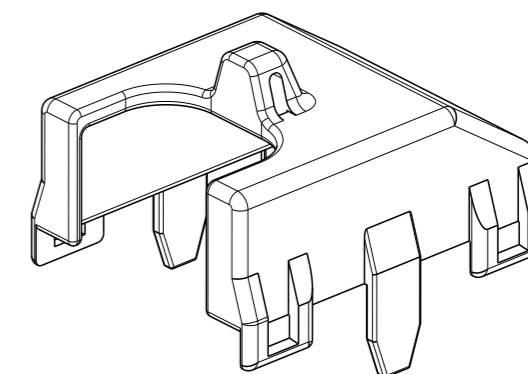
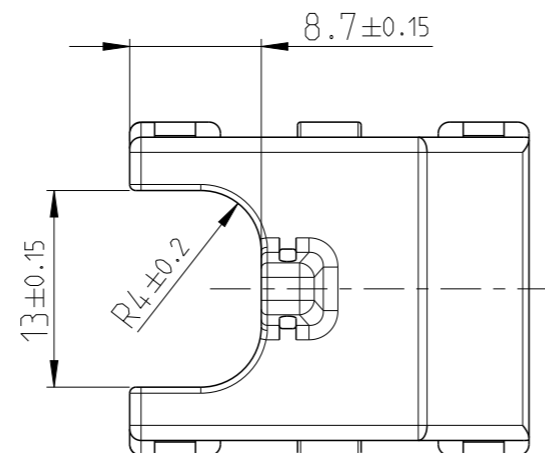


REVISIONS

P	LTR	DESCRIPTION	DATE	DWN	APVD
	A	INITIAL DRAWING	31OCT2014	SMS	KR
	A1	ECR-14-016638	07NOV2014	SMS	KR



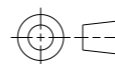
NOTE:

1. COLOUR: BLACK (RAL9005)
2. MATED WITH PLUG ASSEMBLY:

2-1419158-1
2-1419158-0
1-1419158-9
1-1419158-8
2-1419158-2

THIS DRAWING IS A CONTROLLED DOCUMENT.

DIMENSIONS:
mm



MATERIAL
FM-PBT-GF20

TOLERANCES UNLESS OTHERWISE SPECIFIED:
 0 PLC ±
 1 PLC ±
 2 PLC ±0.1
 3 PLC ±0.05
 4 PLC ±
 ANGLES ±

FINISH

DWN 31OCT2014

MUTHU SAMY S

CHK 31OCT2014

PARUSURAM T

APVD 31OCT2014

K.ROTH

PRODUCT SPEC

-

APPLICATION SPEC

-

WEIGHT

-

CUSTOMER DRAWING



TE Connectivity

NAME 23 POS. GET, COVER, GEM

-

-

SIZE	CAGE CODE	DRAWING NO	RESTRICTED TO
A3	-	©=2-1419158-4	-

SCALE 2:1 SHEET 1 OF 1 REV A1