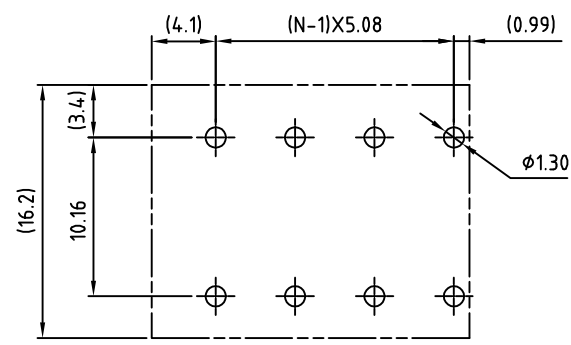
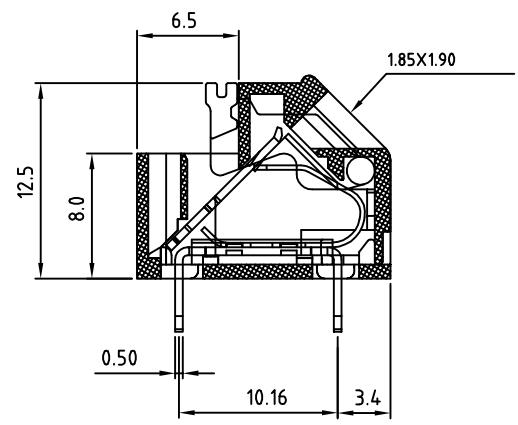
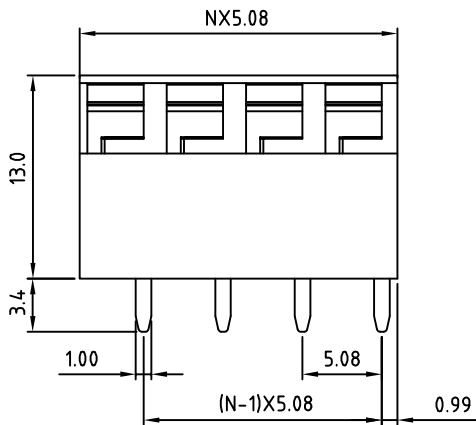
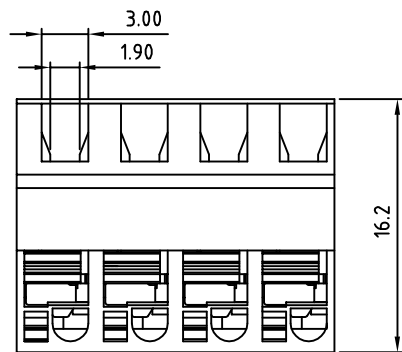


| | | | |
|------|------|--|----------|
| SIGN | DATE | DESCRIPTION | APPROVER |
| | | THIS IS CAD DRAWING, DO NOT REVISE MANUALLY!!! | |



P.C.B. LAYOUT

Technical Data:

Material:

- Contacts Pin: Brass with Tin plating
- Wire guard : Stainless steel
- Insulator (housing): Thermoplastic(UL94V-0)

Electrical

- Voltage rating: 250VAC
- Current rating: 12A
- Wire range:
 - Solid wire(AWG): 16-22
 - Stranded wire(AWG): 16-22
- Withstanding Voltage: 1.5KV

Mechanical:

- Temperature Range: -30°C to +105°C
- Soldering temperature: 250°±10° 5 SEC MAX.
- Safety Approval:

RoHS Compliant

PART NUMBER:

OSTHDX0080

- | | |
|--------------|--------------------|
| No. of Poles | COLOR |
| 02 2 Poles | 0: Black |
| 03 3 Poles | 5: Green |
| : : | 6: Blue |
| 24 24 Poles | 8: Grey (Standard) |

THESE DRAWINGS AND SPECIFICATIONS ARE THE PROPERTY OF ON-SHORE TECHNOLOGY, INC. AND SHALL NOT BE REPRODUCED, COPIED OR USED IN ANY MANNER WITHOUT THE PRIOR WRITTEN CONSENT OF ON-SHORE TECHNOLOGY, INC.



| | | | | | |
|-----------------------|----------------------|----------------------|----------------------|--------------|------------|
| TITLE | | OSTHD-5.08mm series | | | |
| PART NO. | OSTHDX0080 | DWG NO. | OSTHDX0080.DWG | | |
| APPROVED | CHECKED | DESIGNED | DRAWN | CUST NO. | Tolerance |
| Shi Jun 2006.11.01 | Marvin 2006.11.01 | Marvin 2006.06.22 | Marvin 2006.06.22 | | X. ±0.50 |
| | | | | | X.X ±0.30 |
| | | | | | X.XX ±0.10 |
| | | | | | X° ±1° |
| | | | | SHEET: 01/01 | REV.: D |