



PRODUCT DATASHEET

Tina series

last update 5/6/2012

DETAILS

| | |
|------------------------|------------------|
| Product Number | CP12673_TINA2-O |
| Family | Tina |
| Type | Assembly |
| Color | black |
| Diameter | 16,1 mm |
| Height | 9,65 mm |
| Style | round |
| Optic Material | PMMA |
| Holder Material | |
| Fastening | glue |
| Status | production ready |
| ROHS Compliant | Yes |
| Date Updated | 5/06/2012 |



OPTICAL PROPERTIES

| LED | Viewing Angle | Light Beam | Efficiency | cd/lm | Connector |
|------|---------------|------------|------------|-------|-----------|
| XB-D | 35+14 deg | Oval | 84 % | 4.300 | - |

D

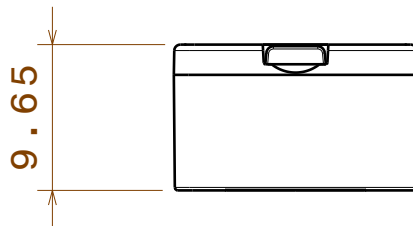
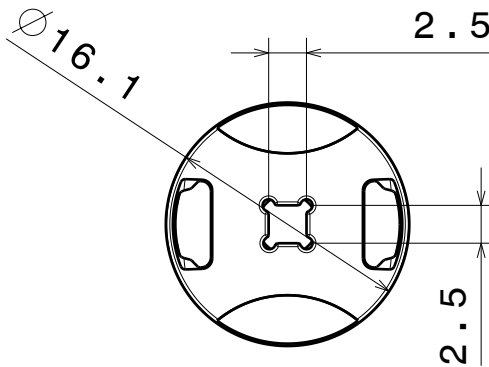
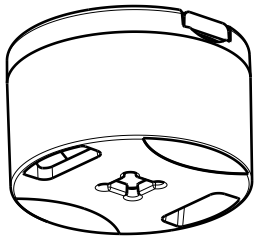
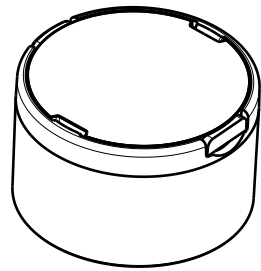
C

B

A

4

4



3

3

2

2

Materials:
 lens PMMA
 holder PC, black

Fastening to application:
 Glue

Tolerances for dimensions:
 0-20mm tolerance value +/-0.1mm

1

1

This drawing is our property.
 It can't be reproduced
 or communicated without
 our written agreement.



Ledil Oy
 Salorankatu 10
 FIN 24240 SALO
 Finland

DRAWING TITLE

Datasheet Tina2 XB assy

DRAWN BY

pv

DATE

19.03.2012

CHECKED BY

sn

DATE

19.03.2012

SIZE

A4

DRAWING NUMBER

-

REV

1

DESIGNED BY

pv

DATE

12.03.2012

SCALE

2:1

WEIGHT (g)

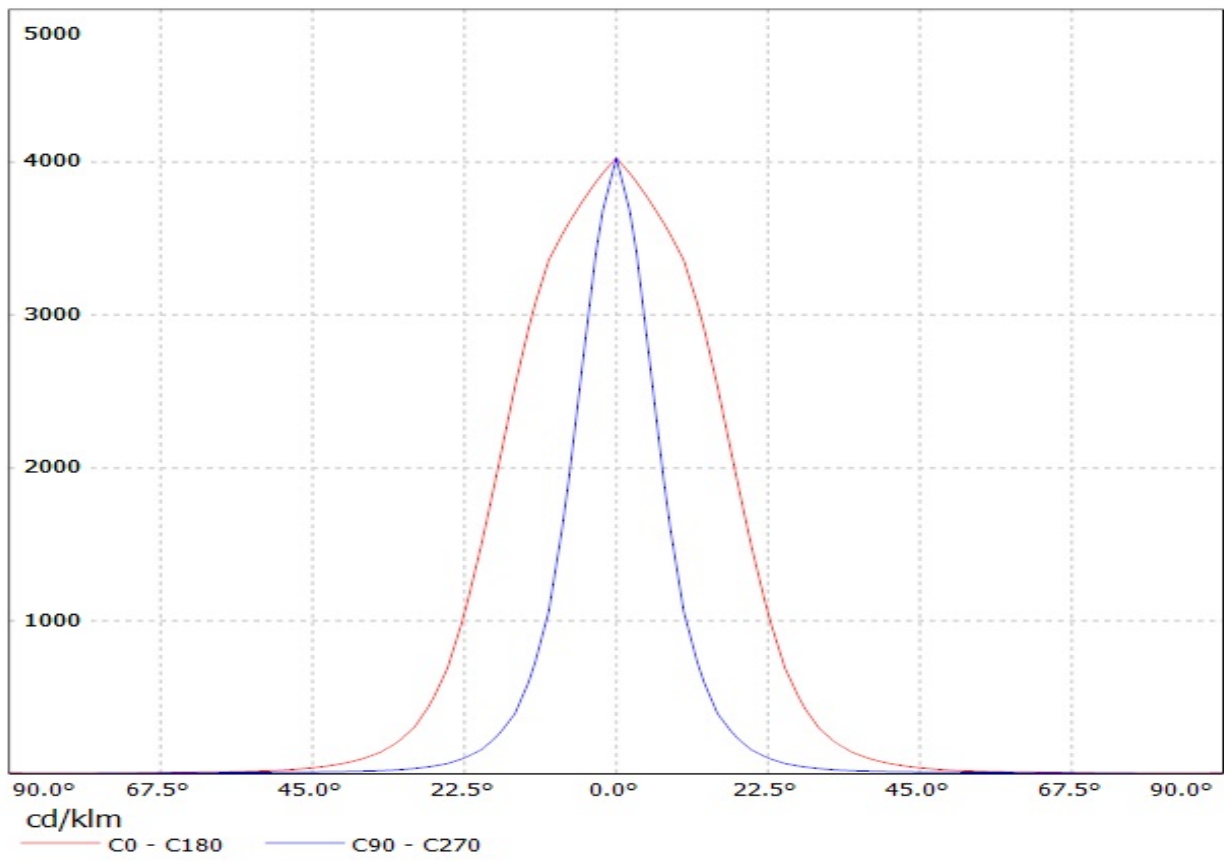
SHEET

1/1

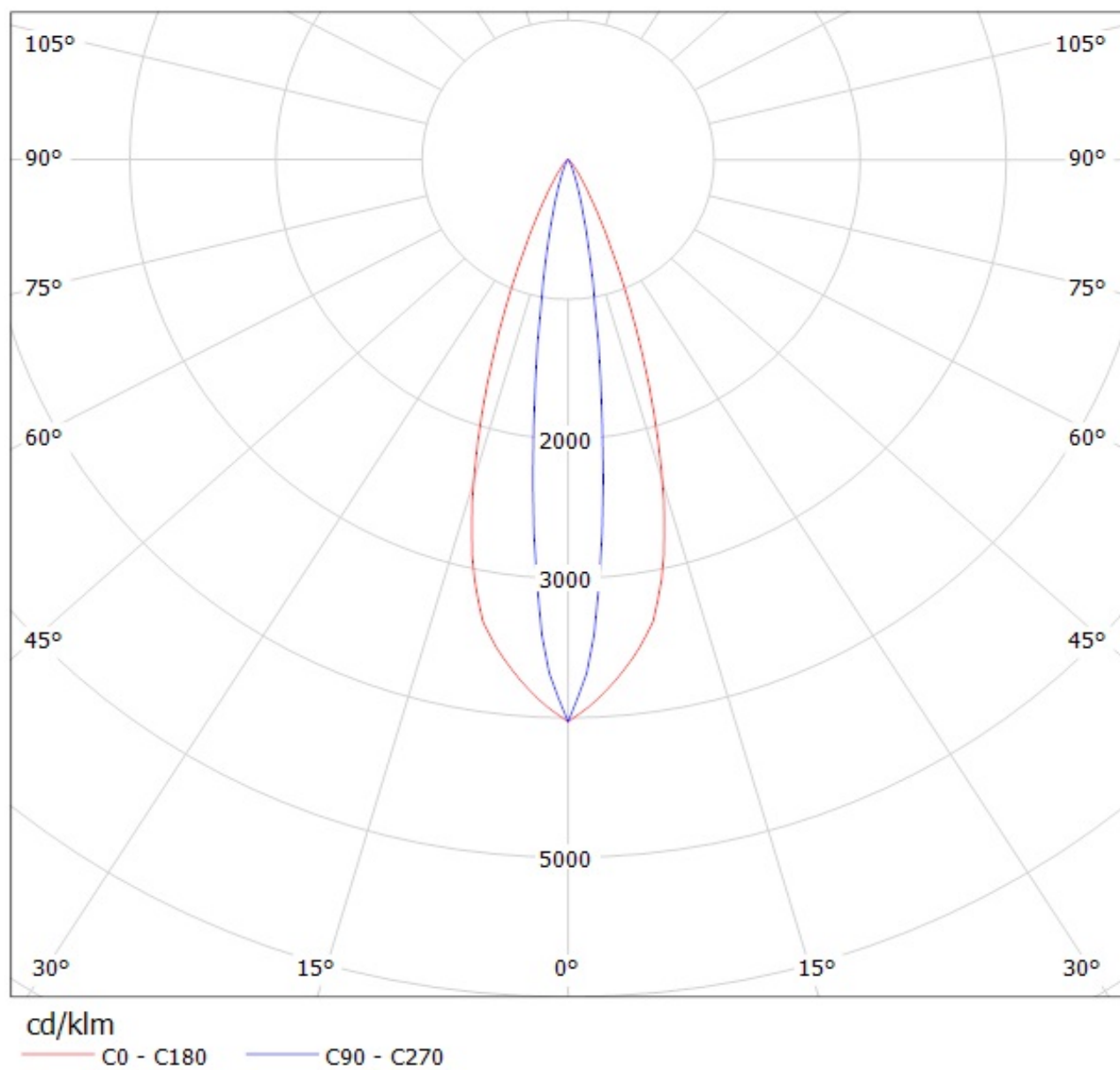
D

A

Luminaire: LEDIL OY CP12673_TINA2-O (XB-D) Efficiency=84%
Lamps: 1 x Cree XB-D white (97lm @ 250mA)



Luminaire: LEDIL OY CP12673_TINA2-O (XB-D) Efficiency=84%
Lamps: 1 x Cree XB-D white (97lm @ 250mA)



NOTE: The typical divergence will be changed by different color, chip size and chip position tolerance. The typical total divergence is the full angle measured where the luminous intensity is half of the peak value.