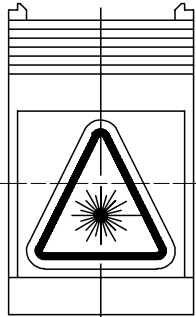
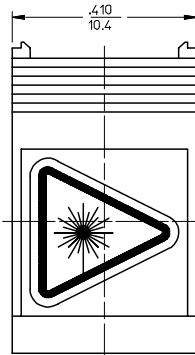


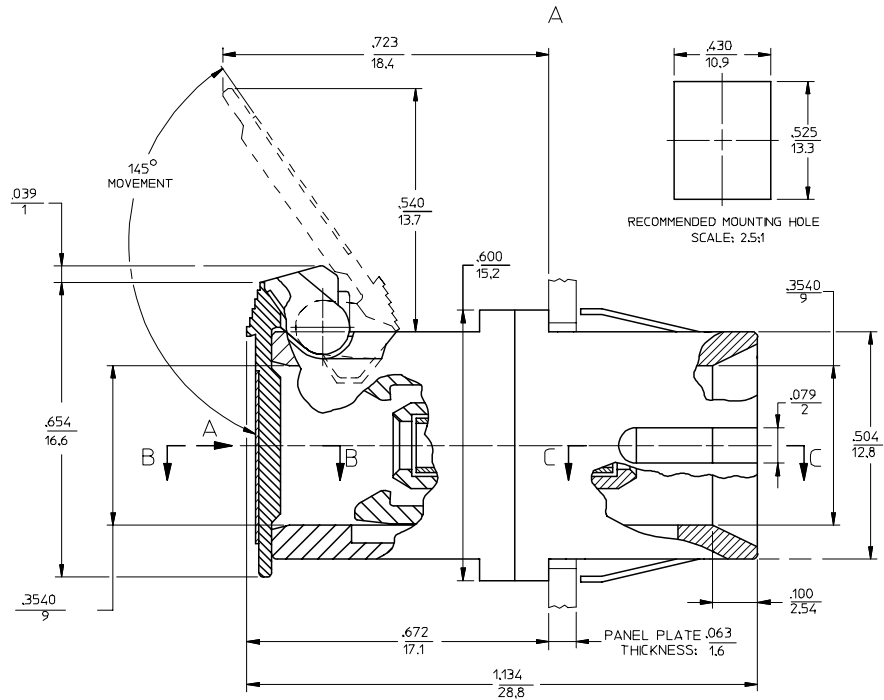
| ADAPTER P/N | SPLIT SLEEVE MATERIAL | COLOR OF ADAPTER |
|-------------|-----------------------|------------------|
| 106170-0400 | ZR | BLACK |
| 106170-0420 | | GREEN |
| 106170-0430 | | RED |
| 106171-0400 | PHOSPHOR BRONZE | BLACK |
| 106171-0420 | | GREEN |
| 106171-0430 | | RED |



VIEW A
VERSION 2



VIEW A
VERSION 1



- NOTES:
 1. LABEL MUST BE INSTALLED AND ORIENTED BY CUSTOMER. (SEE VIEW A)
 2. DUST CAP NOT SHOWN, BUT INCLUDED.

| | | | | | | | | | |
|---|-------------------------------|---|------------|--------------------------|---------------------|----------------------------------|------------------------|--|--|
| ENTER DESCRIPTION EC NO: MF2006-0237 DRAWN: JGIBLIN CHKD: JGIBLIN APPR: JGIBLIN REV: A | QUALITY SYMBOLS = 0 = 0 | GENERAL TOLERANCES (UNLESS SPECIFIED) | | DIMENSION STYLE IN/MM | SCALE 4:1 | DESIGN UNITS INCH | THIRD ANGLE PROJECTION | | |
| | | 4 PLACES ± --- ± --- 3 PLACES ± --- ± --- 2 PLACES ± --- ± --- 1 PLACE ± --- ± --- | mm INCH | DRAWN BY RPACIFICI | DATE 2005/10/13 | TITLE BSC ADAPTER WITH SHIELD | | | |
| | | ANGULAR ±1/2° | | CHECKED BY DATE | APPROVED BY DATE | MATERIAL NO. SEE TABLE | | | |
| | | DRAFT WHERE APPLICABLE MUST REMAIN WITHIN DIMENSIONS | | SIZE C | | DOCUMENT NO. SD-10617X-X4X0 | SHEET NO. 1 OF 01 | | |