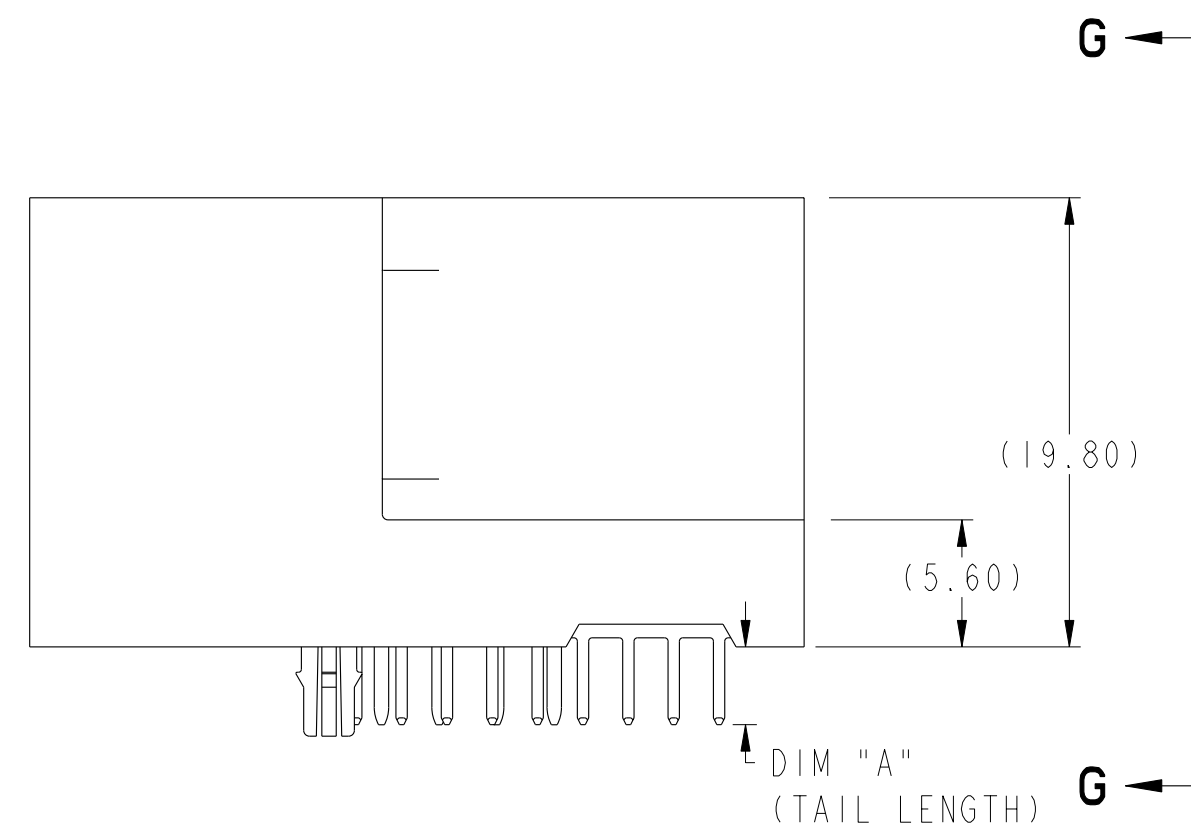
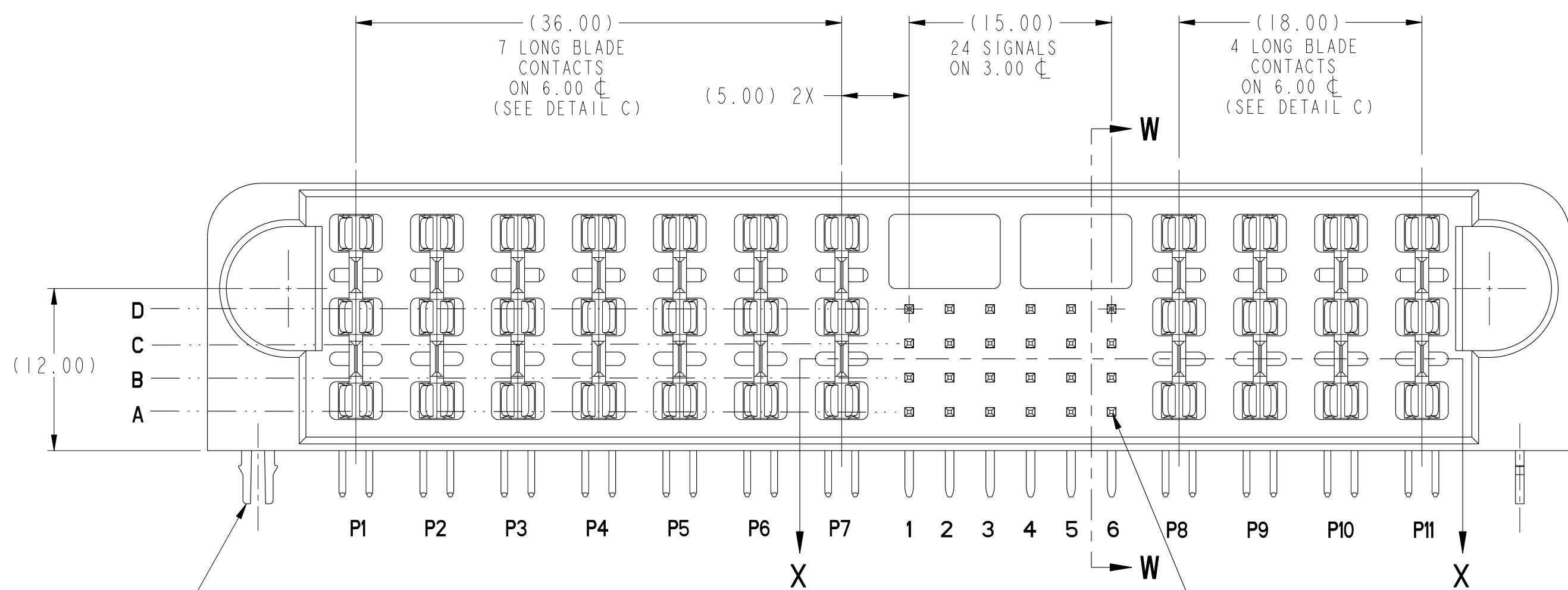


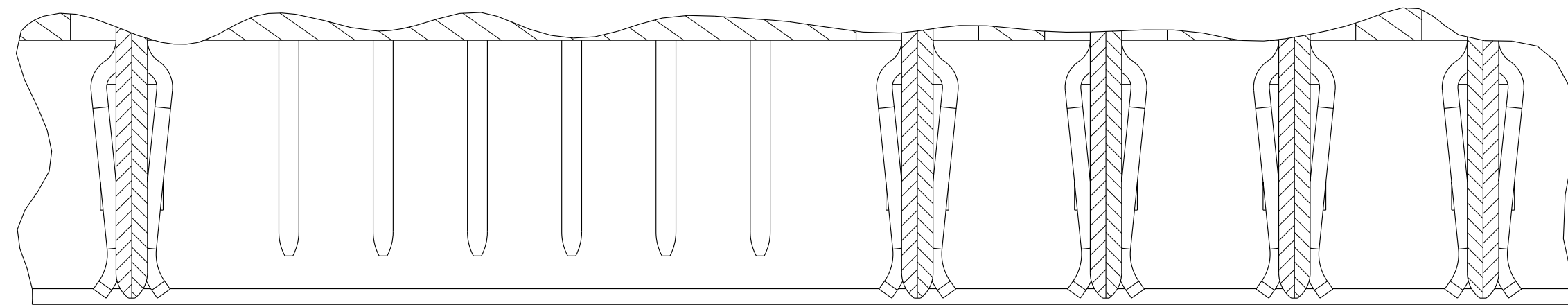
SEE DETAIL C
SECTION X-X



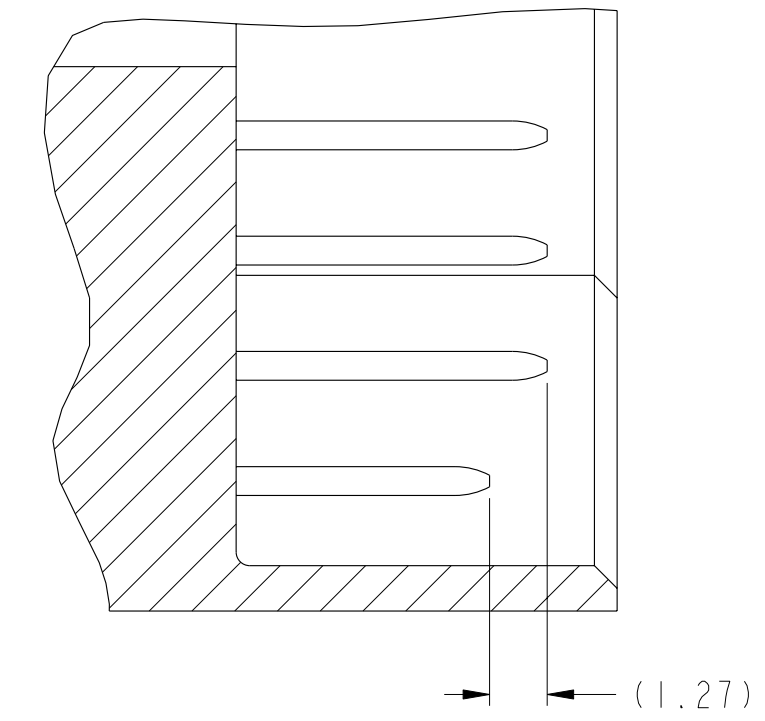
rev	ecn no	dr	date
A	V08-0243	TH	2008-06-03
-	-	-	-
-	-	-	-
-	-	-	-
-	-	-	-
-	-	-	-

www.fciconnect.com		surface ASME Y14.5	tolerance std ASME Y14.5	projection	MM
		TOLERANCES UNLESS OTHERWISE SPECIFIED			
Dr	T.HOUTZ	2007-09-27	ANGULAR	0.X	±.3
Eng	H.NGO	2007-09-27	LINEAR	0.XX	±.10
Chr	H.NGO	2007-09-27	0° ±2°	0.XXX	±.050
Appr	H.NGO	2007-09-27	Product family	HCI	Spec ref
		TITLE R/A HDR ASSY 7DC-24S-4DC HCI POWER CONNECTOR		dwg no 10082722	Rev. A
catalog no		CUSTOMER		sheet 1 of 5	

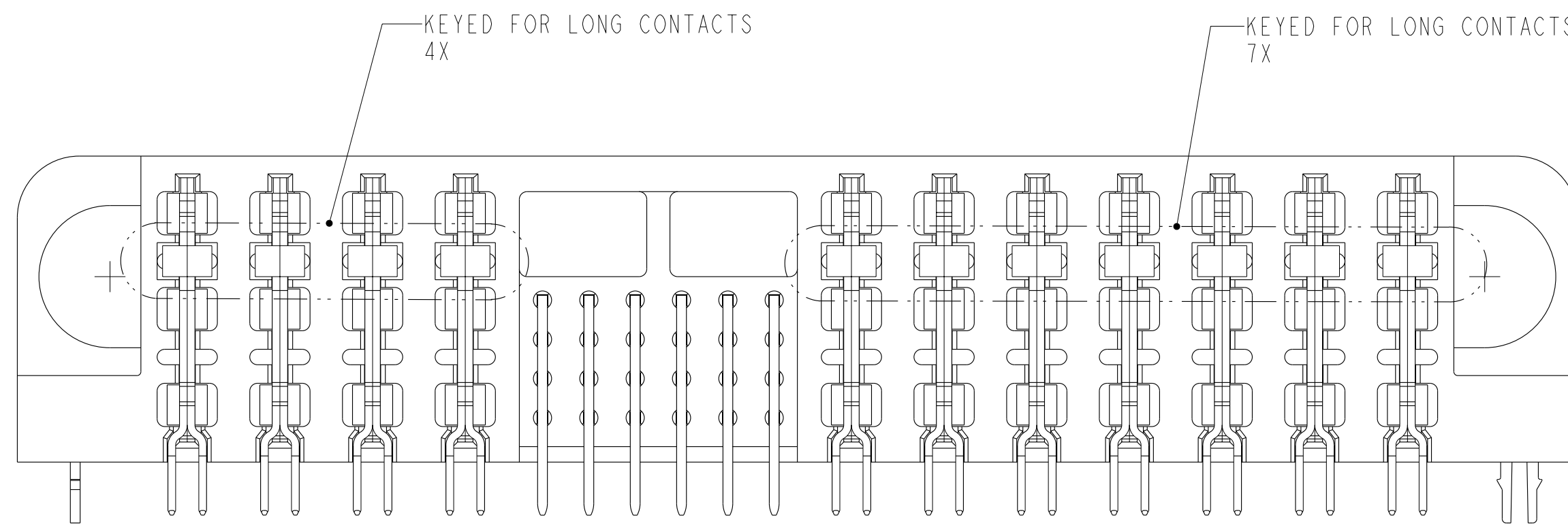
Copyright FCJ



DETAIL C
SCALE 6:1
 POWER MATING
 SEQUENCE



SECTION W-W
SCALE 6:1
 SIGNAL MATING
 SEQUENCE



VIEW G-G



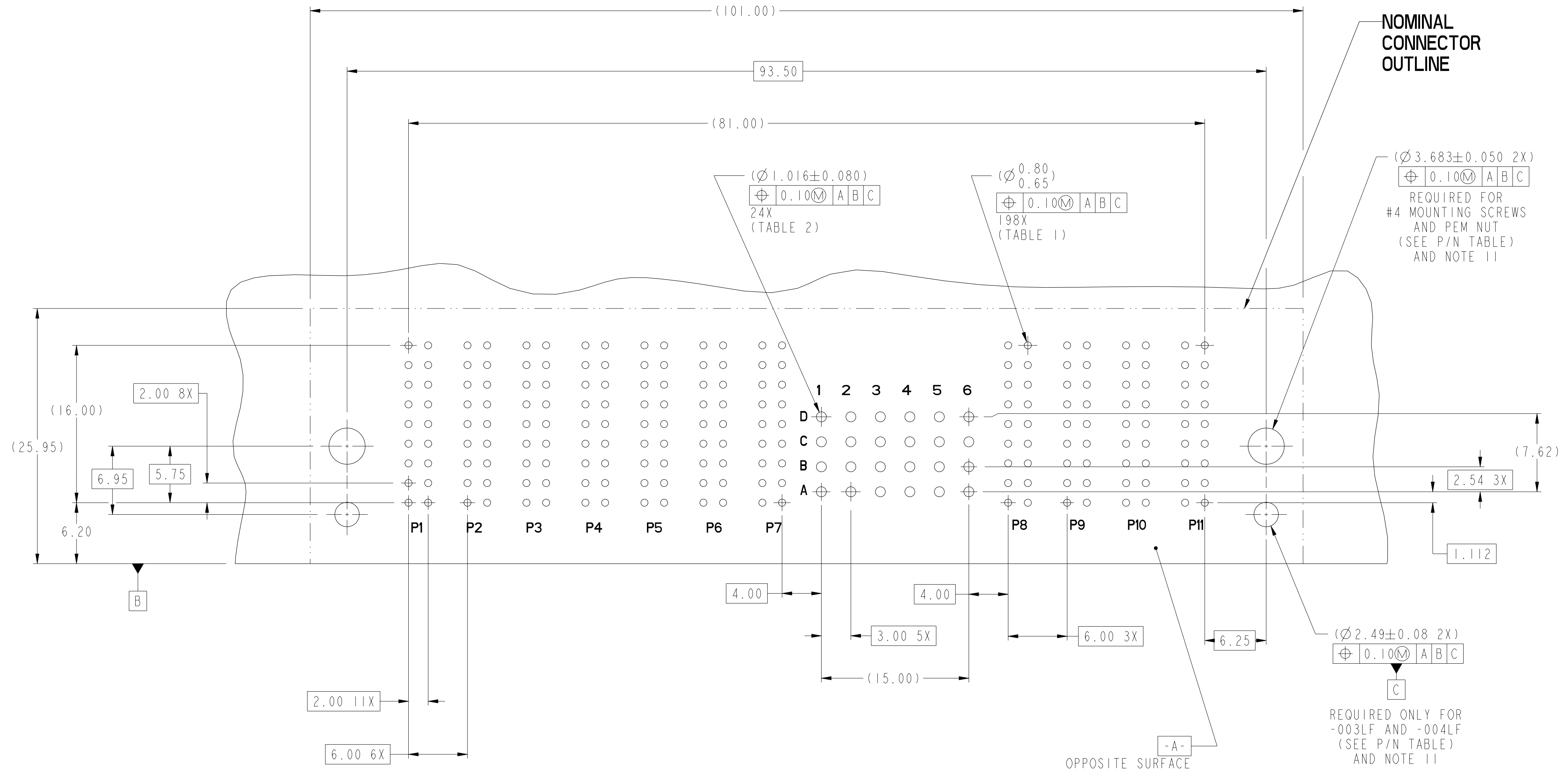
Copyright FCJ.



title R/A HDR ASSY 7DC-24S-4DC HCI POWER CONNECTOR catalog no	dwg no 10082722	Rev. A
CUSTOMER		sheet 2 of 5

1 2 3 4 5 6 7 8

A B C D E F



**RECOMMENDED PCB LAYOUT
COMPONENT SIDE
NOTE 6**

Copyright FCJ
FCJ

FCJ	title	R/A HDR ASSY 7DC-24S-4DC	dwg no	10082722	Rev.	A
	catalog no	HCI POWER CONNECTOR	CUSTOMER	sheet 3 of 5		

A

A

B

B

C

C

D

D

E

E


F

F

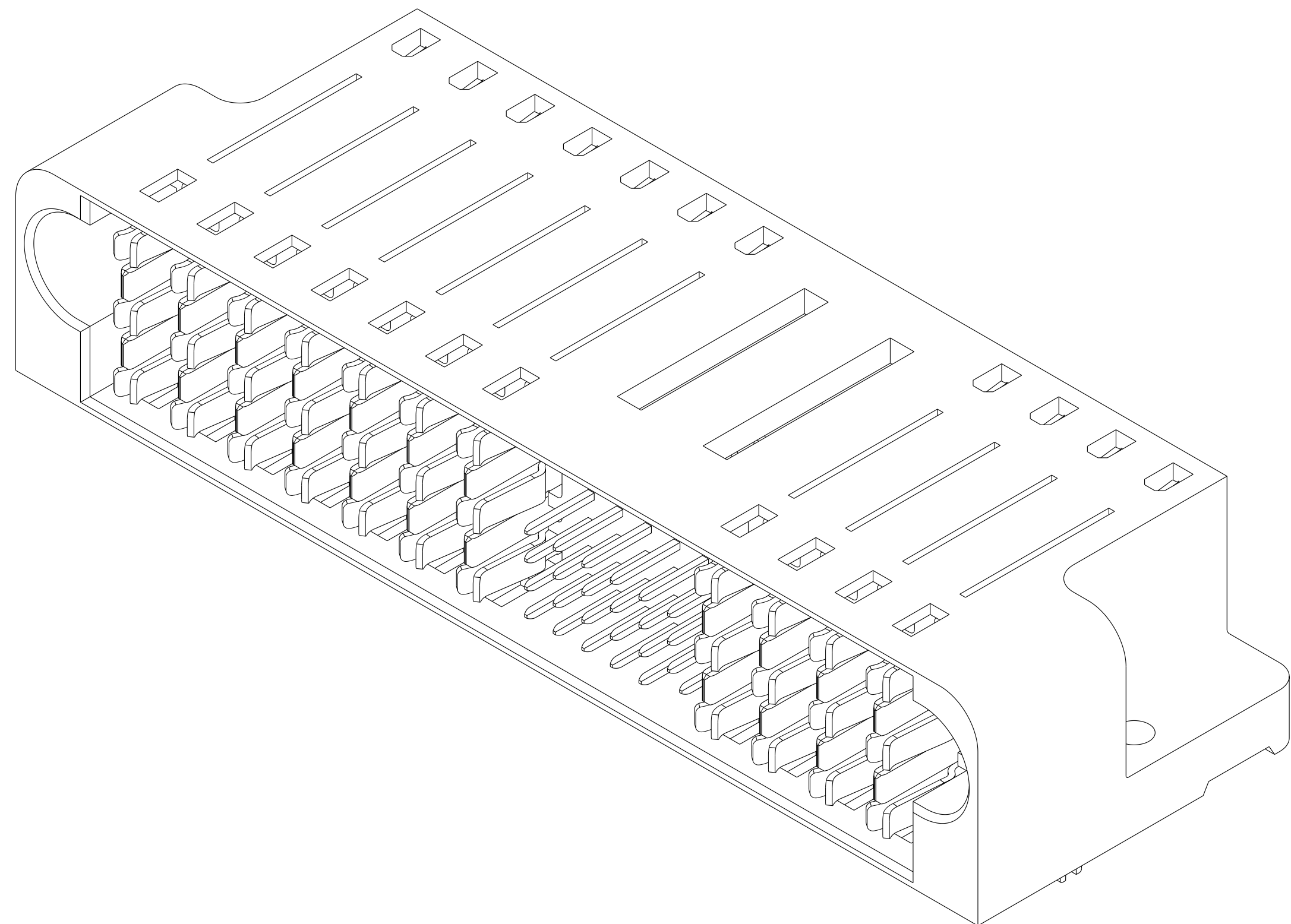
TOP LAYER DESCRIPTION	TABLE 1 (HCI POWER) PLATED THROUGH-HOLE REQUIREMENTS							
	DRILLED HOLE DIAMETER	COPPER THICKNESS	TIN-LEAD THICKNESS	NICKEL THICKNESS	GOLD THICKNESS	TIN THICKNESS	SILVER THICKNESS	FINISHED HOLE DIAMETER
TIN-LEAD	0.81-0.86 (0.85 DRILL)	0.025 - 0.050	0.005 - 0.015	--	--	--	--	0.65 - 0.80
IMMERSION TIN	0.81-0.86 (0.85 DRILL)	0.025 - 0.050	--	--	--	0.9 - 1.5um	--	0.70 - 0.80
IMMERSION SILVER	0.81-0.86 (0.85 DRILL)	0.025 - 0.050	--	--	--	--	0.15 - 0.65um	0.70 - 0.80
COPPER (SEE NOTE 9)	0.81-0.86 (0.85 DRILL)	0.025 - 0.050	--	--	--	--	--	0.70 - 0.80
GOLD	0.81-0.86 (0.85 DRILL)	0.025 - 0.050	--	0.003 - 0.007	FLASH UP TO 0.0002	--	--	0.69 - 0.80

TOP LAYER DESCRIPTION	TABLE 2 (HPC SIGNALS) PLATED THROUGH-HOLE REQUIREMENTS							
	DRILLED HOLE DIAMETER	COPPER THICKNESS	TIN-LEAD THICKNESS	NICKEL THICKNESS	GOLD THICKNESS	TIN THICKNESS	SILVER THICKNESS	FINISHED HOLE DIAMETER
TIN-LEAD	1.125-1.175 ($\varnothing .0453 \pm .0010$)	0.025-0.050	0.005-0.015	--	--	--	--	0.94 - 1.10 ($\varnothing .040 \pm .003$)
IMMERSION TIN			--	--	--	--	--	
IMMERSION SILVER			--	--	--	--	--	
COPPER (SEE NOTE 9)			--	--	--	--	--	
GOLD			--			--	--	

Copyright FCJ

	title R/A HDR ASSY 7DC-24S-4DC HCI POWER CONNECTOR	dwg no 10082722	Rev. A
	catalog no CUSTOMER	sheet 4 of 5	

PART NUMBER	RETENTION CLIPS	#4 SCREW	DIM A (TAIL LENGTH)	TAIL TYPE
10082722-001LF	NO	YES	3.43	SOLDER TAIL
10082722-002LF	NO	YES	4.70	SOLDER TAIL
10082722-003LF	YES	NO	3.43	SOLDER TAIL
10082722-004LF	YES	NO	4.70	SOLDER TAIL



NOTES:

1. CONNECTOR MATERIALS:
HOUSING: HIGH TEMPERATURE THERMOPLASTIC, BLACK
UL 94V-0 COMPLIANT
CONTACTS: HIGH PERFORMANCE COPPER ALLOY
2. CONTACT FINISH (ref GS-12-380 SECTION 5.2)
3. PRODUCT SPECIFICATION: GS-12-380.
4. APPLICATION SPECIFICATION: GS-20-070.
5. PRODUCT MARKING (PRODUCT NUMBER & DATE CODE) ON HOUSING IN AREA SHOWN.
6. MINIMUM NOMINAL PCB THICKNESS: 1.6mm
7. PACKAGING MEETS FCI SPECIFICATION GS-14-1073.
8. HOUSING COMPONENT WILL WITHSTAND EXPOSURE TO 260°C PEAK TEMPERATURE FOR 60 SECONDS IN A CONVECTION, INFRA-RED, OR VAPOR PHASE REFLOW OVEN.
9. COPPER PLATING THICKNESS IN CENTER OF VIA-HOLE CAN BE NO MORE THAN 0.003 LESS THAN OTHER AREAS.
10. ALL HOLE SIZES ARE FINISHED HOLE SIZES.
11. MOUNTING HOLES ARE UNPLATED.

FCJ	title	R/A HDR ASSY 7DC-24S-4DC	dwg no	10082722	Rev.	A
	catalog no	HCI POWER CONNECTOR	CUSTOMER	sheet 5 of 5		

Copyright FCI. FCJ