

CKCL22X5R1E104M085AA

TDK Item Description : CKCL22X5R1E104MT****

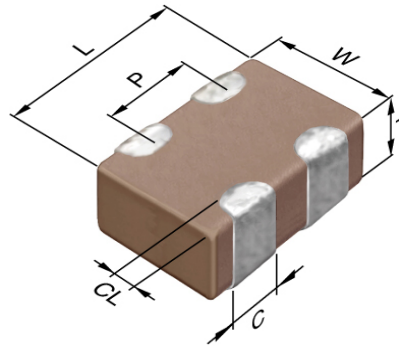


Application & Main Feature

Commercial Grade (2 in 1 Array)

Series

CKCL22(2012) [EIA CC0805]



Dimensions

L 2.00mm +/-0.15mm
 W 1.25mm +/-0.15mm
 T 0.85mm +/-0.15mm
 C 0.45mm Nom.
 P 1.00mm Nom.

Temperature Characteristic

X5R (-55 to 85 degC +/-15%)

Rated Voltage

1E (25Vdc)

Capacitance

100nF

Capacitance Tolerance

M (+/-20%)

Dissipation Factor

3% Max.

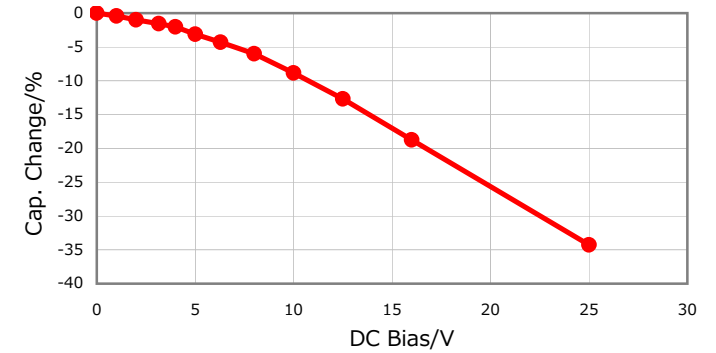
Insulation Resistance

5Gohm Min.

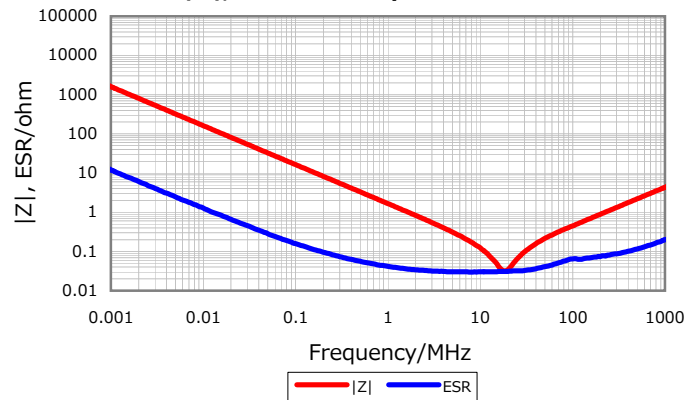
AEC-Q200

Not Applicable

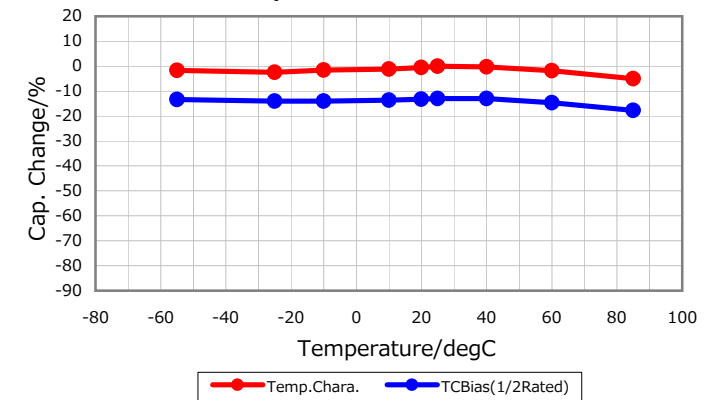
DC Bias Characteristic



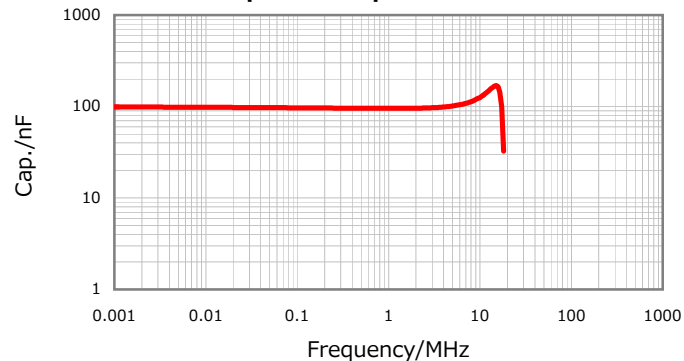
|Z|, ESR vs. Freq. Characteristics



Temperature Characteristics



Cap. vs. Freq. Characteristic



Ripple Temperature Rise Characteristics

