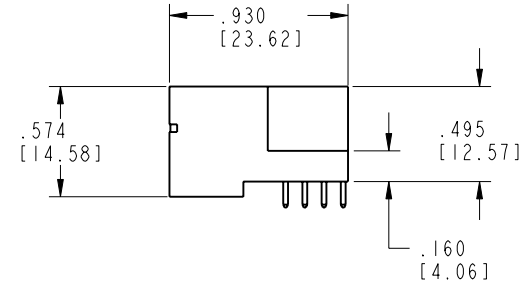
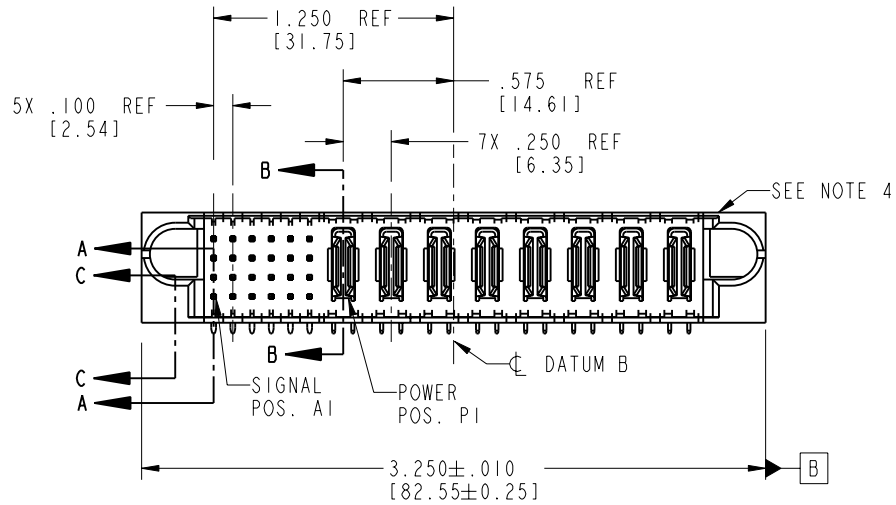
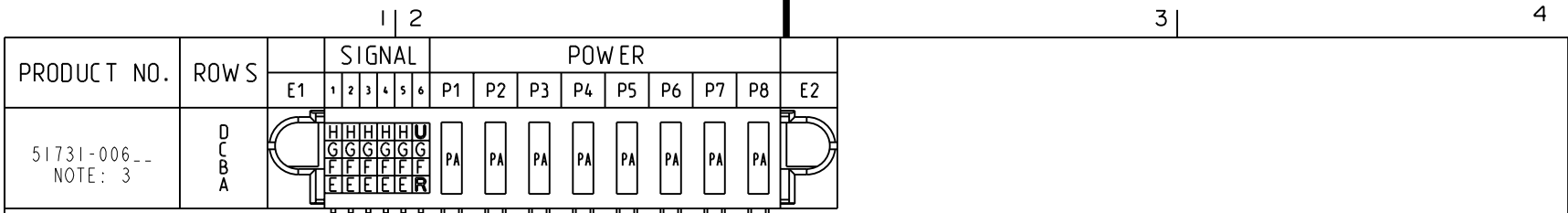


Tous droits strictement réservés. Reproduction ou communication o des liens interdite sous quelque forme que ce soit sans autorisation écrite du propriétaire. Propriete de c FCI. Droits de reproduction FCI.

All rights strictly reserved. Reproduction or issue to third parties in any form whenever is not permitted without written authority from the proprietor. Property of FCI. Copyright FCI.



CODE	DIM "M" MATING LENGTH	CONTACT TYPE
E	.220 [5.59]	SIGNAL
F	.220 [5.59]	SIGNAL
G	.220 [5.59]	SIGNAL
H	.220 [5.59]	SIGNAL
R	.270 [6.86]	SIGNAL
U	.270 [6.86]	SIGNAL
PA	N/A [N/A]	POWER

mat'l code				SEE NOTE 2		tolerances unless otherwise specified		CUSTOMER		 www.fciconnect.com	
ltr	ecn no.	dr	date	linear	.XX±.01/0.X±0.3		COPY		title		
A	V12109	JWS	7/24/01		.XXX±.005/0.XX±0.13		projection		24S + 8P		
B	V21294	TAB	09/10/02		.XXX±.0020/0.XXX±0.051				RIGHT ANGLE SOLDER HEADER		
C	DG05-0531	GuoJM	12/14/05	angles	0°±2°		INCH/MM		product family		
				dr	T. BRUNGARD	09/10/02	scale		PwrBlade		code
				engr	M. MOSTOLLER	09/10/02	1:1		size		213
				chr	M. MOSTOLLER	09/10/02			dwg no		sheet
				appd	M. MOSTOLLER	09/10/02			A 51731-006		1 of 4
sheet index		revision sheet		C	C	C	C				
		1 2		3	4						

1 | 2

Pro/E

3 |

cage code 22526

4

PDM: Rev:C

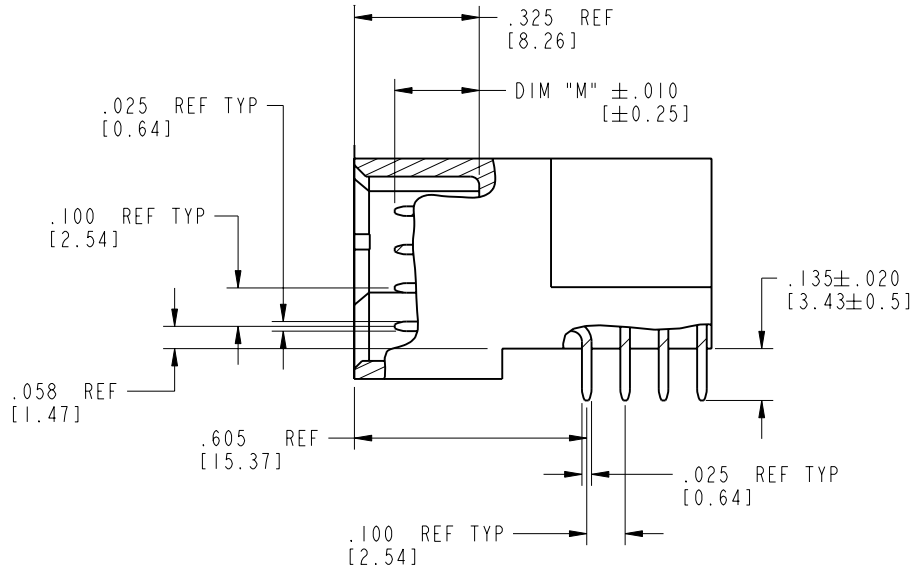
STATUS: Released

Printed: Oct 08, 2006

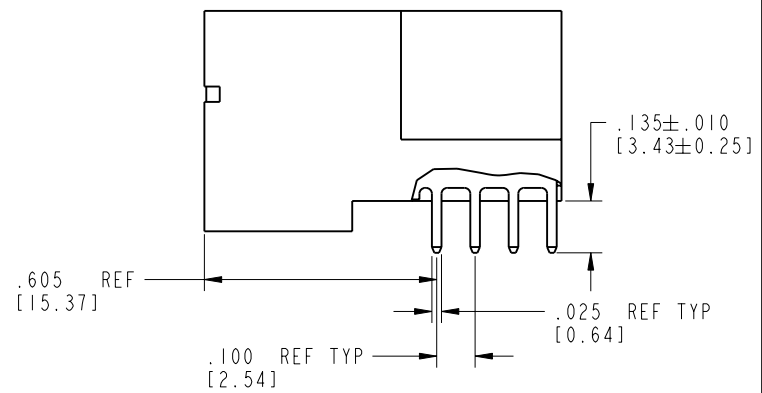
Tous droits strictement réservés. Reproduction ou communication o des liers interdite sous quelque forme que ce soit sans autorisation écrite du propriétaire. Propriete de c FCI. Droits de reproduction FCI.

All rights strictly reserved. Reproduction or issue to third parties in any form, whatever is not permitted without written authority from the proprietor. Property of FCI. Copyright FCI.

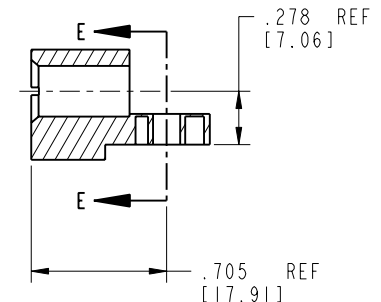
PRODUCT NUMBER
51731-006 --
NOTE: 3



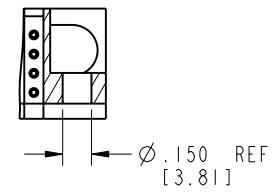
BROKEN-OUT SECTION A-A
SCALE 2:1



BROKEN-OUT SECTION B-B
SCALE 2:1



SECTION C-C



PARTIAL SECTION E-E

mat'l code				SEE NOTE 2		tolerances unless otherwise specified		CUSTOMER		 www.fciconnect.com	
ltr	ecr no.	dr	date	linear	.XX±.01/0.X±0.3	projection	COPY		title		
C				angles	.XXX±.005/0.XX±0.13		INCH/MM		24S + 8P		
				dr	.XXX±.0020/0.XXX±0.051		scale		RIGHT ANGLE SOLDER HEADER		
				enr	T. BRUNGARD 09/10/02	1:1		product family		PwrBlade	
				chr	M. MOSTOLLER 09/10/02			size		213	
				appd	M. MOSTOLLER 09/10/02			A		51731-006	
sheet index		revision sheet								2 of 4	

cage code 22526

Pro/E

PDM: Rev:C

STATUS: Released

Printed: Oct 08, 2006

Tous droits strictement réservés. Reproduction ou communication o des liers interdite sous quelque forme que ce soit sans autorisation écrite du propriétaire. Propriete de c FCI. Droits de reproduction FCI.



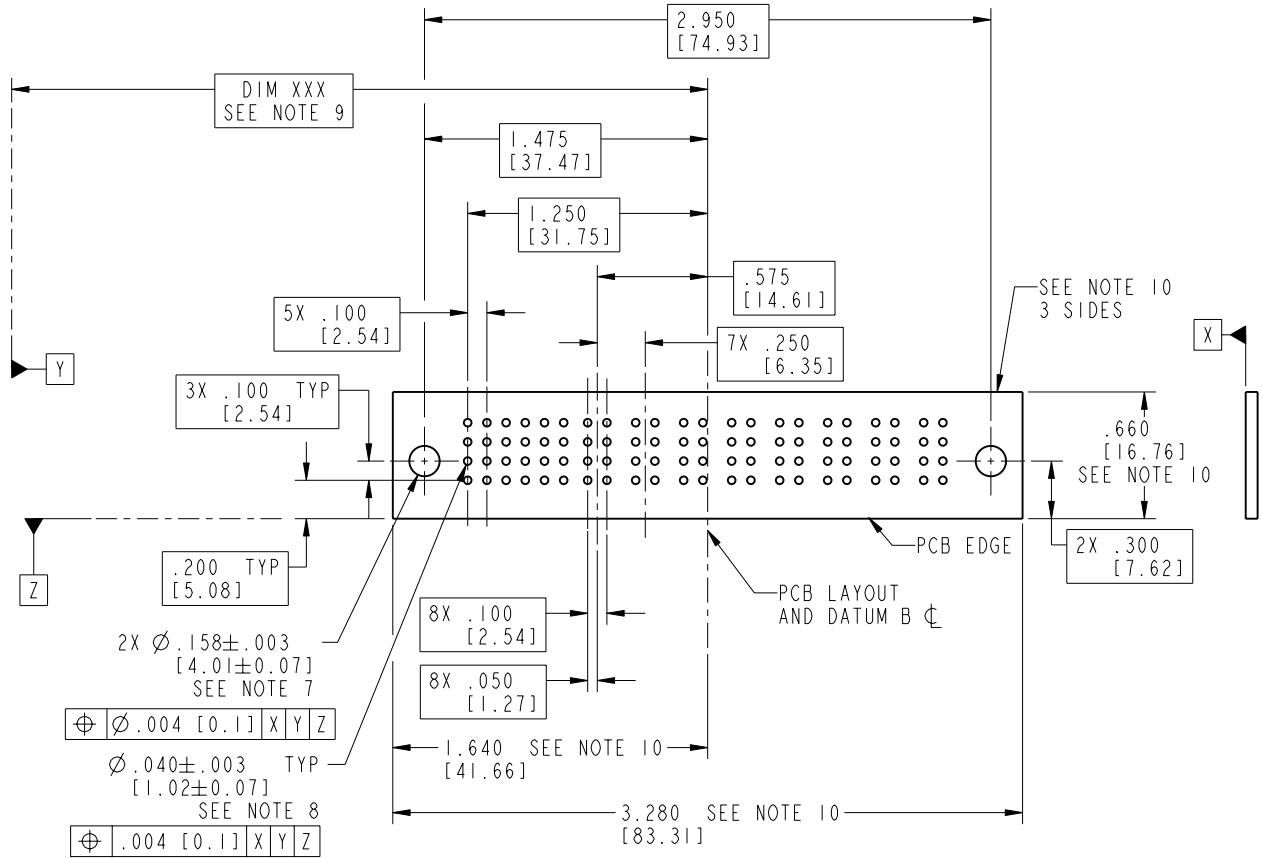
All rights strictly reserved. Reproduction or issue to third parties in any form, whatever is not permitted without written authority from the proprietor. Property of FCI. Copyright FCI.

PRODUCT NUMBER
51731-006--
NOTE: 3

1 | 2

3 |

4



RECOMMENDED PCB LAYOUT

mat'l code				SEE NOTE 2		tolerances unless otherwise specified		CUSTOMER		 www.fciconnect.com	
lfr	ecn no.	dr	date	linear	.XX±.01/0.XX±0.3	projection	COPY		title		
C				angles	.XXX±.005/0.XX±0.13		A		24S + 8P		
				dr	.XXX±.0020/0.XXX±0.051		INCH/MM		RIGHT ANGLE SOLDER HEADER		
				enrg	0° ± 2°	scale	1:1		product family		code
				chr	T. BRUNGARD 09/10/02		A		PwrBlade		213
				appd	M. MOSTOLLER 09/10/02		A		size		sheet
					M. MOSTOLLER 09/10/02		A		51731-006		3 of 4
sheet index	revision sheet										

1 | 2

Pro/E

3 |

cage code 22526

4

Tous droits strictement réservés. Reproduction ou communication o des liers interdite sous quelque forme que ce soit sans autorisation écrite du propriétaire. Propriete de c FCI. Droits de reproduction FCI.

A **FCI**

All rights strictly reserved. Reproduction or issue to third parties in any form, whenever is not permitted without written authority from the proprietor. Property of FCI. Copyright FCI.

A

B

PRODUCT NUMBER

51731-006 --
NOTE: 3

NOTES:

1. DIMENSIONS AND TOLERANCES ARE IN ACCORDANCE WITH ASME Y14.5M, 1994 UNLESS OTHERWISE SPECIFIED.

CONNECTOR NOTES:

2. HOUSING MATERIAL: UL 94 V-0 GLASS FILLED HIGH-TEMP THERMOPLASTIC
POWER CONTACT MATERIAL: COPPER ALLOY
SIGNAL PIN MATERIAL: COPPER ALLOY

3. PLATING:
51731-006 Singal Pin:30u"/0.76um Au OVER 50u"/1.27um Ni ON THE CONTACT AREA.
AND 100u"/2.54um SnPb PLATING OVER 50u"/1.27um Ni ON THE TERMINATION SECTION.
Power Pin:30u"/0.76um Au OVER 50u"/1.27um Ni ON THE CONTACT AREA,
AND 100u"/2.54um SnPb PLATING OVER 50u"/1.27um Ni ON THE TERMINATION SECTION.

51731-006LF Singal Pin:30u"/0.76um Au OVER 50u"/1.27um Ni ON THE CONTACT AREA.
AND 78u"/2.00um Sn PLATING OVER 50u"/1.27um Ni ON THE TERMINATION SECTION.
Power Pin:30u"/0.76um Au OVER 50u"/1.27um Ni ON THE CONTACT AREA,
AND 78u"/2.00um Sn PLATING OVER 50u"/1.27um Ni ON THE TERMINATION SECTION.

PART NUMBER 51731-006LF MEETS EUROPEAN UNION DIRECTIVE AND OTHER COUNTRY REGULATIONS AS DESCRIBED IN GS-22-008.

THE HOUSING WILL WITHSTAND EXPOSURE TO 260° PEAK TEMPERATURE FOR 10 SECONDS IN A WAVE SOLDER APPLICATION WITH A CIRCUIT BOARD.

4. MANUFACTURER'S NAME, P/N, AND DATE CODE TO APPEAR ON THIS SURFACE.

5. PRODUCT SPECIFICATION GS-12-149.
APPLICATION SPECIFICATION BUS-20-067.


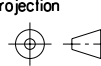
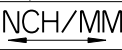
PCB NOTES:

6. ALL HOLE DIAMETERS ARE FINISHED HOLE SIZE.
7. MOUNTING HOLES, WHERE APPLICABLE, ARE UNPLATED.

8. $\varnothing .0453 \pm .0010$ [1.151 ± 0.025] DRILLED HOLES PLATED WITH .0003 [0.008] MIN SnPb OVER .001 [0.03] TO .003 [0.08] Cu PLATING TO ACHIEVE $\varnothing .040 \pm .003$ [1.02 ± .07] HOLE.

9. "DIM XXX" TO BE DETERMINED BY THE CUSTOMER.

10. CONNECTOR KEEP-OUT ZONE.

mat'l code		SEE NOTE 2		tolerances unless otherwise specified		CUSTOMER		 www.fciconnect.com	
lfr	ecn no.	dr	date	linear	.XX ± .01/0.X ± 0.3	COPY		title 24S + 8P	
c				projection	.XXX ± .005/0.XX ± 0.13			RIGHT ANGLE SOLDER HEADER	
				angles	.XXX ± .0020/0.XXX ± 0.051			product family PwrBlade code 213	
				dr	T. BRUNGARD 09/10/02	INCH/MM		size dwg no	
				enrg	M. MOSTOLLER 09/10/02	scale 1:1		A 51731-006 sheet 4 of 4	
				chr	M. MOSTOLLER 09/10/02				
				appd	M. MOSTOLLER 09/10/02				
sheet index	revision sheet								

coge code 22526

Pro/E

3

4