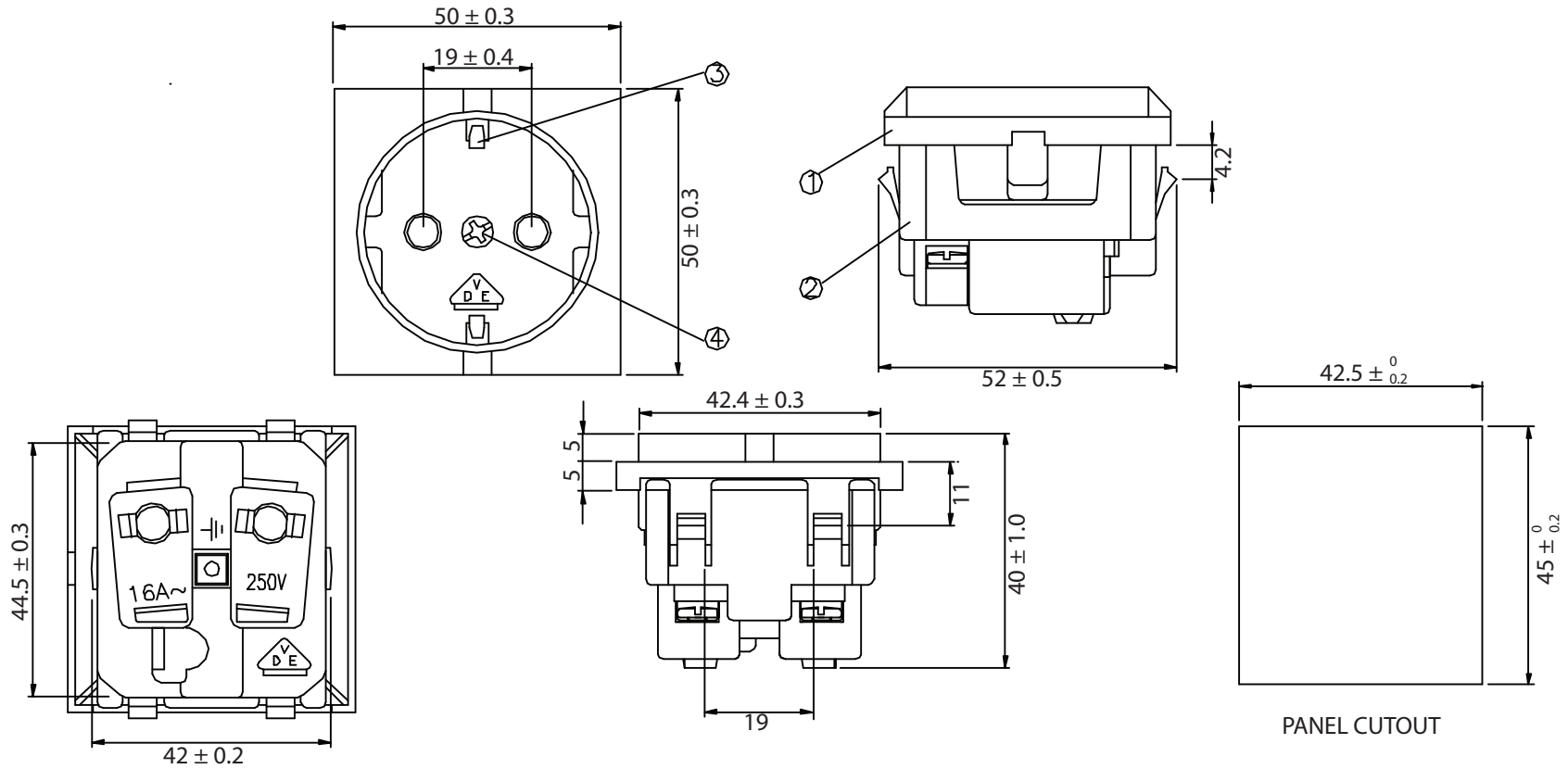


THESE DRAWINGS ARE THE PROPERTY OF QUALTEK ELECTRONICS AND NOT TO BE REPRODUCED FOR OR COMMUNICATED TO A THIRD PARTY WITHOUT THE EXPRESS WRITTEN PERMISSION OF AN OFFICER OF QUALTEK ELECTRONICS.

REVISION			
REV.	DESCRIPTION	DATE	APPROVED



**CONTROLLED**

NOTES:

RATING: 16A 250V AC  
 APPROVALS: VDE  
 RoHS COMPLIANT

4	Screw M3*0.5m/m	1
3	Contact PIN Bronze Strip t=1mm	1
2	Body NYLON Black Color	1
1	Cover PC Black Color	1

Dim range (mm)	Tolerance +/- (mm)	Qualtek Electronics Corp. PPC DIVISION		
0-1	0.15	Part Number: 741W-A/02		RoHS Compliant
1-6	0.20	Description: AC RECEPTACLE		
6-18	0.30	UNIT: mm		
18-50	0.50	Drawn / Date	Checked / Date	Approved / Date
50-120	0.70	R.Nuti 09-12-07	09-12-07	JJH / 09-12-07
120-250	0.90			
250-500	1.20			