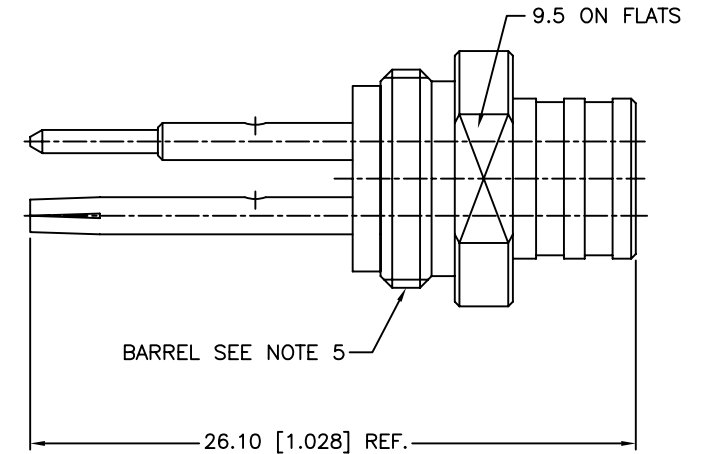
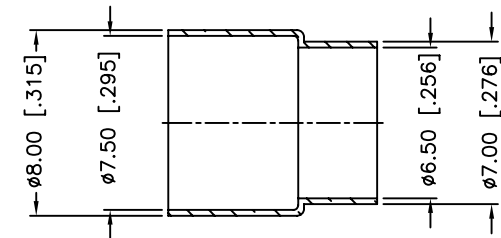
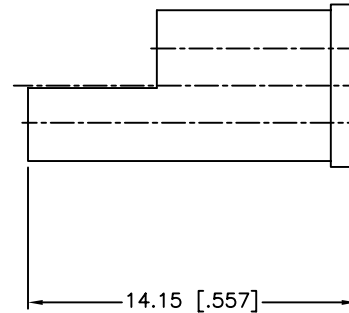
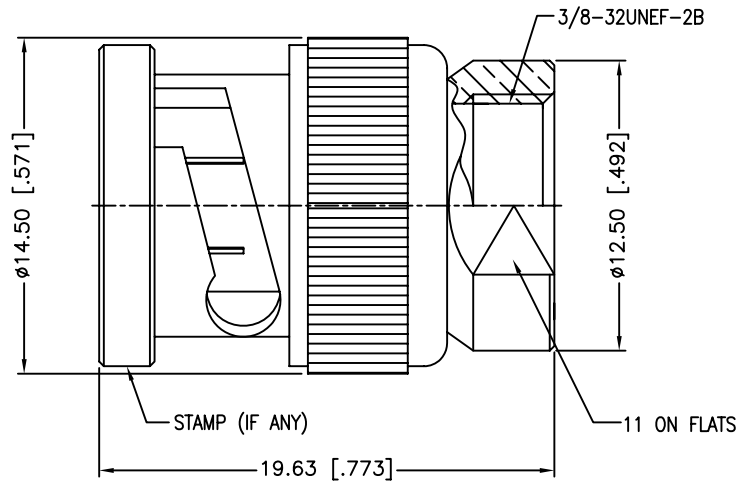


REV.	DATE	ECR NO.	DESCRIPTION
NC	11/21/11	XXXXXX	INITIAL RELEASE
A	10/18/12	2397	THE BARREL CHANGED TO INCREASE INSULATOR RETENTION & REVISE PACKAGING



NOTES:

- CRIMPED FERRULE
HEX. CRIMP SIZE .278"
- SOLDER CENTER CONTACTS
- DIELECTRIC WITHSTANDING VOLTAGE: 500 VRMS, MIN.
- INTERFACE PER 349-50551 SEC.102 AFTER ASSEMBLY.
- BARREL MUST ROTATE WITH A 5 ~ 20 IN.-LBS. TORQUE.
- INSULATOR MUST WITHSTAND A PULL-FORCE OF 6 LBS MIN.
- PACKAGING:
 - 600 PCS OF THE FERRULE IN ITS OWN BAG
 - 600 PCS OF THE CONNECTOR HOUSING IN ITS OWN TRAY,
40 PCS WILL BE PACKAGED PER EACH TRAY
 - 600 PCS OF THE DIELECTRIC IN ITS OWN BAG
 - 600 PCS OF THE CONTACT INSERT WITH RED GASKET INSTALLED IN ITS OWN TRAY
40 PCS WILL BE PACKAGED PER EACH TRAY

QTY	DESCRIPTION	MATERIAL	FINISH
1	SHELL	BRASS	NICKEL
1	BODY	BRASS	NICKEL
1	GASKET	RUBBER	RED
1	RETAINER RING	BRASS	NICKEL
1	SPRING	BER. COPPER	NICKEL
1	WASHER	BRASS	NICKEL
1	INSULATOR	PBT	WHITE
1	CONTACT PIN	PHOSPHOR BRONZE	GOLD
1	CONTACT PIN	BRASS	GOLD
1	GASKET	SILICONE	RED
1	INSULATOR	PBT	WHITE
1	BARREL	BRASS	NICKEL
1	FERRULE	BRASS	NICKEL

UNLESS OTHERWISE SPECIFIED DIMENSIONS ARE IN MILLIMETERS. DIMENSIONS IN [] ARE IN INCHES AND FOR CUSTOMER REFERENCE ONLY.

UNLESS OTHERWISE SPECIFIED TOLERANCES FOR MILLIMETERS ARE:
 0.5 - 8mm ± 0.20mm
 8 - 30mm ± 0.40mm
 30 - 120mm ± 0.50mm

UNLESS OTHERWISE SPECIFIED TOLERANCES FOR INCHES ARE:
 .020 - .315 = ± 0.007"
 .315 - 1.180 = ± 0.015"
 1.180 - 4.724 = ± 0.020"

DO NOT SCALE DRAWING

APPROVALS	DATE
DRAWN M.ZHANG	10/18/12
CHECKED	
ISSUED	
SHEET 1 OF 1	
CAD FILE	C:/CONNEX/162108B.DWG

Amphenol Connex			
PART DESCRIPTION BNC TWIN PLUG (FOR RG-108A/U CABLE)			
PART NO.		162108B	
DWG. NO.	162108B.DWG	REV.	A
SIZE	A	SCALE	NA