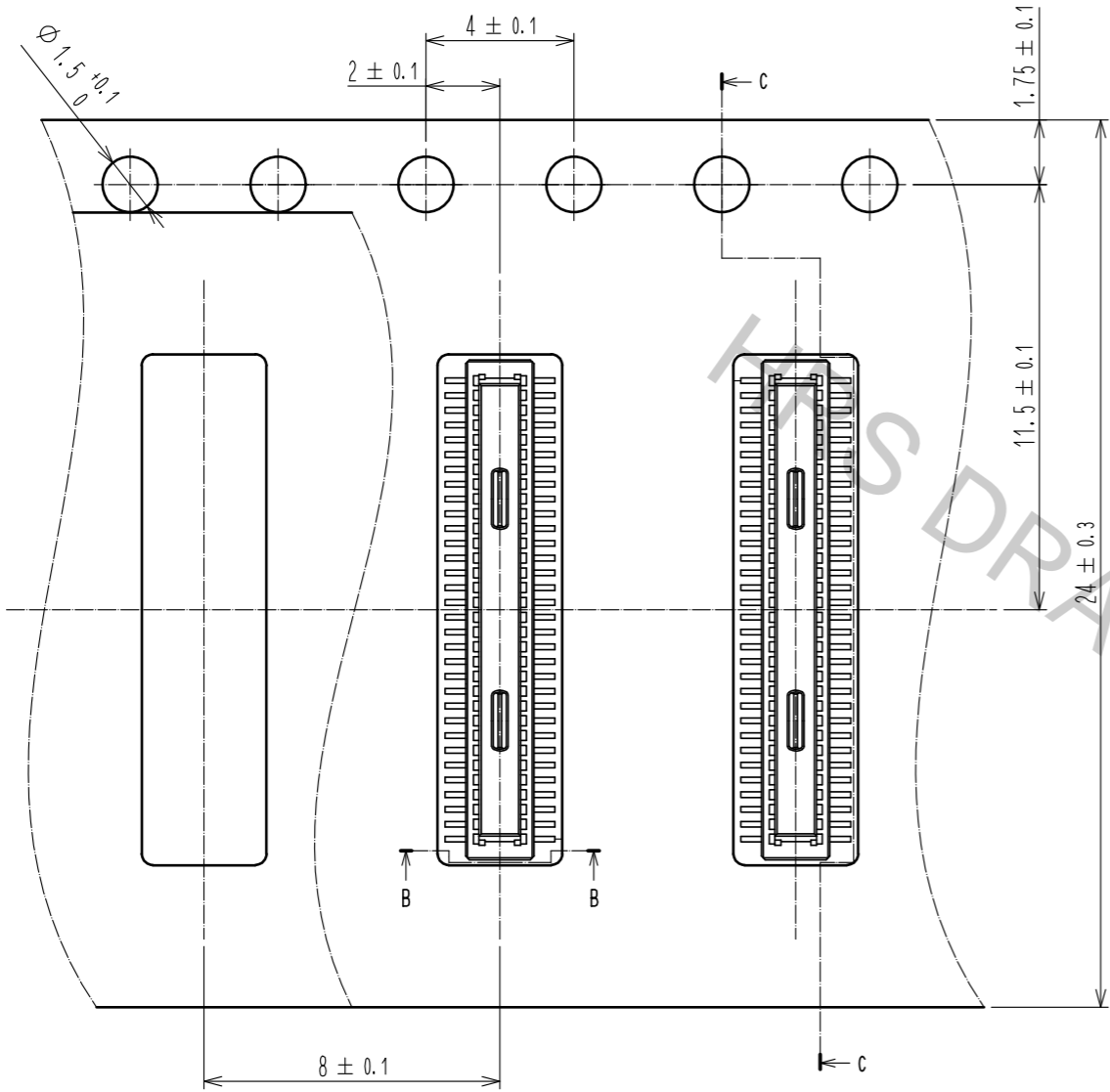


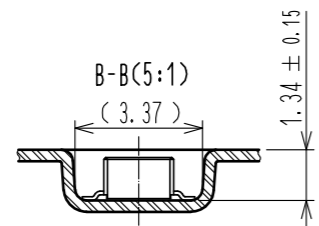
- NOTES) 1. ALL LEADS CO-PLANARITY SHALL BE 0.1mm MAX.
 2. EACH ONE CONTACT AT 4 CORNERS SHALL BE METAL HOLD DOWN.
 3. HRS MARK AND CAV NO. IS INDICATED IN APPROX POSITION SHOWN.

2	PHOSPHOR BRONZE	CONTACT AREA:GOLD $0.05 \mu\text{m}$ MIN	6	PS	CLEAR, REINFORCEMENT COLLAR			
		SMT LEAD:GOLD $0.05 \mu\text{m}$ MIN	5	PS	BLACK			
		UNDERPLATING:NICKEL $1 \mu\text{m}$ MIN	4	POLYESTER	CLEAR, COVER TAPE			
1	LCP	BLACK, UL94V-0	3	PS	CLEAR, EMBOSSED CARRIER TAPE			
NO.	MATERIAL	FINISH . REMARKS	NO.	MATERIAL	FINISH . REMARKS			
UNITS mm		SCALE 10 : 1		COUNT	DESCRIPTION OF REVISIONS	DESIGNED	CHECKED	DATE
HRS HIROSE ELECTRIC CO., LTD.		APPROVED : MO. ISHIDA	16. 10. 05	DRAWING NO. EDC-311022-58-01				
		CHECED : TS. MIYAZAKI	16. 10. 05	PART NO. DF40C-60DP-0.4V(58)				
		DESIGNED : SH. HOSODA	16. 10. 05	CODE NO. CL684-4003-3-58				
		DRAWN : SN. NUMAZAKI	16. 10. 04					

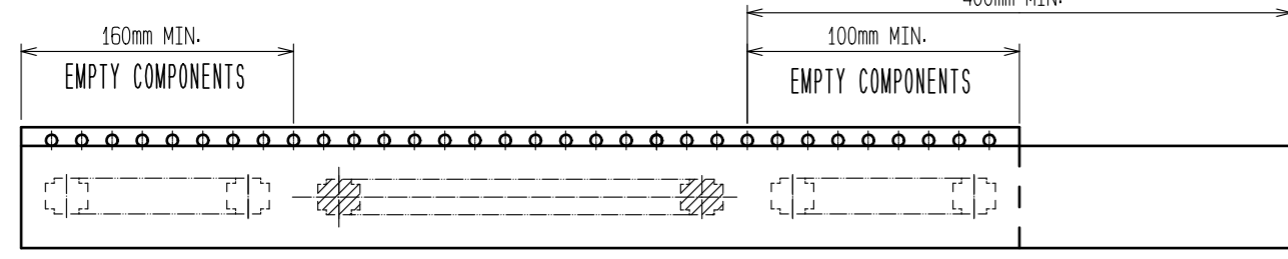
SCALE (5:1)



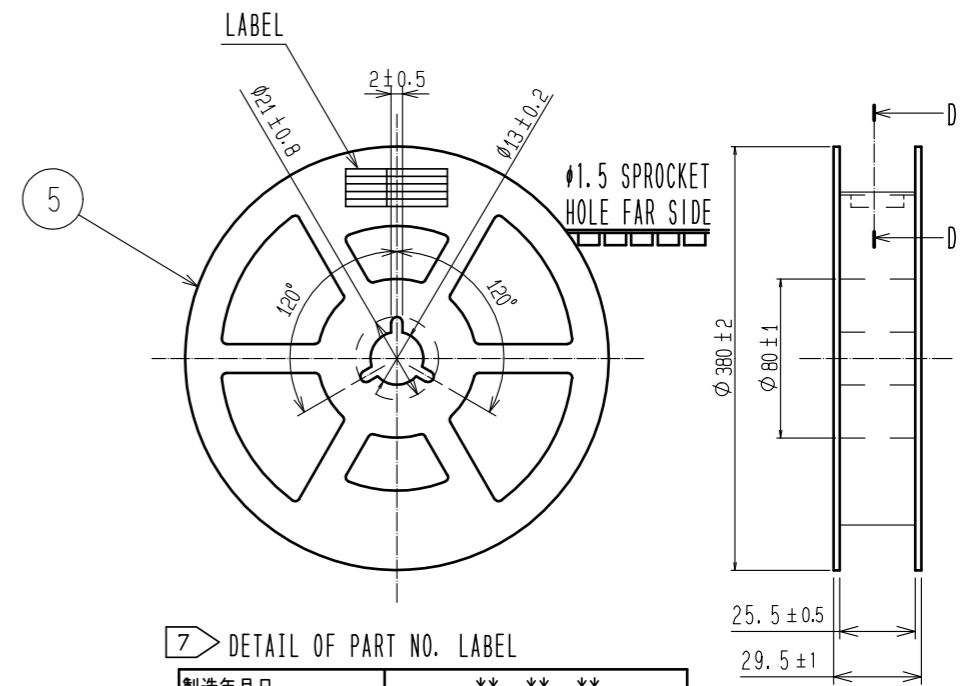
DIRECTION OF UNREELING →



PORTION EQUIPPED WITH CONNECTORS(FREE)

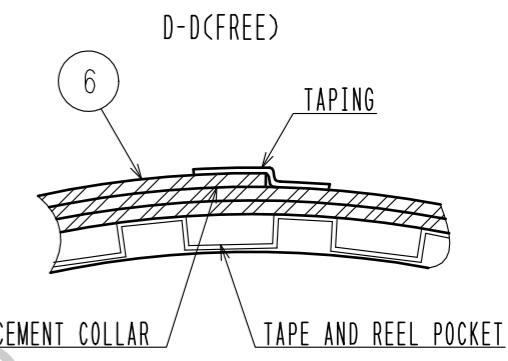


STYLE AND DIMENSION OF REEL (FREE)



7) DETAIL OF PART NO. LABEL

製造年月日	** ** *
製品コード	CL684-4003-3-58
製品名	DF40C-60DP-0.4V(58)
数量	1000
納入者	ヒロセ電機(株)



- NOTES
- 4. PER REEL 1000 CONNECTORS.
 - 5. THE DIMENSIONS IN PARENTHESES ARE FOR REFERENCE.
 - 6) REFER TO JIS C 0806(PACKING OF COMPONENTS FOR AUTOMATIC HANDLING)
 - 7) DETAIL OF PART NO. LABEL IS WRITTEN IN JAPANESE
PART NO. LABEL DESCRIBES THE FOLLOWING INFORMATION FROM TOP.
PRODUCTION DATE:
PRODUCT CODE: CL684-4003-3-58
PART NUMBER: DF40C-60DP-0.4V(58)
NUMBER OF PIECES: 1000 PIECES
SUPPLIER NAME: HIROSE ELECTRIC CO., LTD..
 - 8) AFTER PACKAGING, ROLL 2 METERS OF THE REINFORCEMENT COLLAR TO OUTER CIRCUMFERENCE OF TAPE AND REEL POCKET, AND TAPE DOWN AT THE END THE COLLAR.

HRS	DRAWING NO.	EDC-311022-58-01
	PART NO.	DF40C-60DP-0.4V(58)
	CODE NO.	CL684-4003-3-58
		2/2