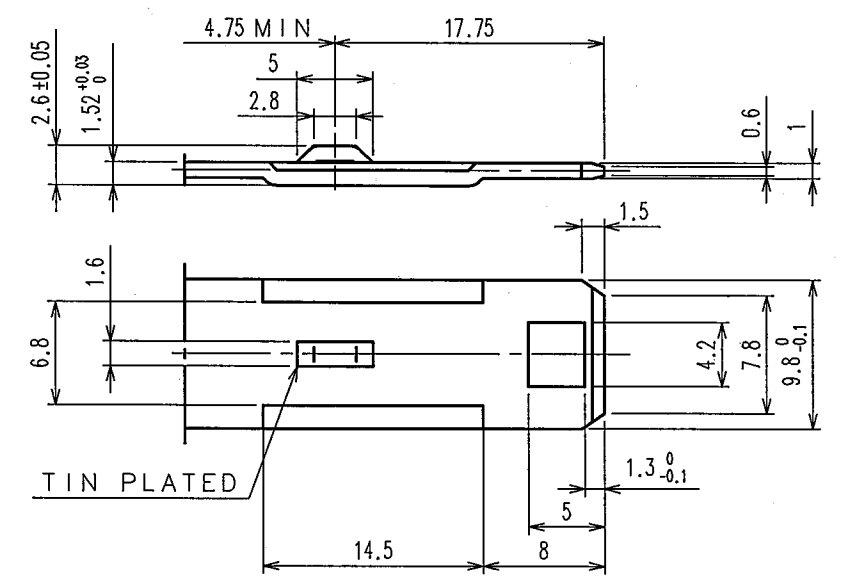
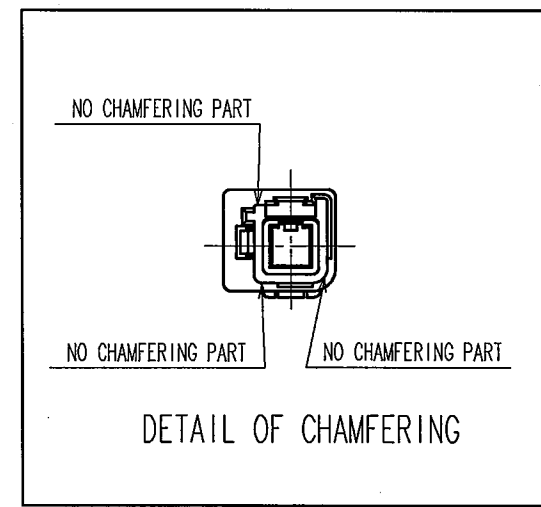
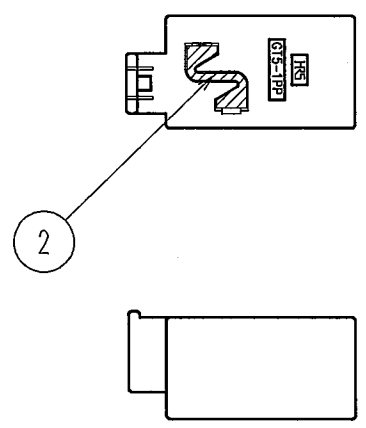
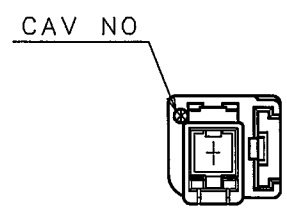
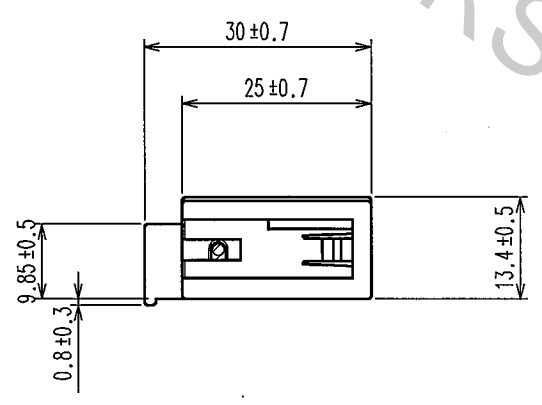
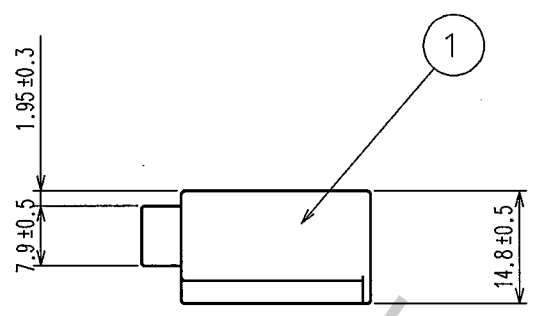
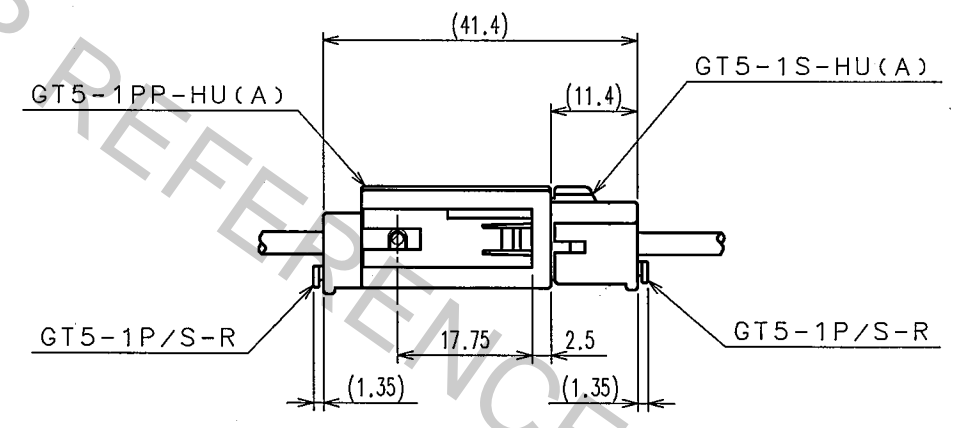


Apr.1.2017 Copyright 2017 HIROSE ELECTRIC CO., LTD. All Rights Reserved.

COUNT	DESCRIPTION OF REVISIONS	BY	CHKD	DATE	COUNT	DESCRIPTION OF REVISIONS	BY	CHKD	DATE
△				..	△				..
△				..	△				..
△				..	△				..



DETAIL OF FITTING PLATE(2:1)



MATED CONNECTORS

Pb FREE

NOTE1. THIS CONNECTOR SHALL BE USED WITH A RETAINER (CL755-0006-2).
 2. APPLICABLE CONNECTOR: GT5-1S-HU(A) (CL755-0037-6)

1	PBT	UL94V-0, BROWN	2	PHOSPHOR BRONZE	TIN PLATED, T=0.3	
NO.	MATERIAL	FINISH, REMARKS	NO.	MATERIAL	FINISH, REMARKS	
CODE NO. (OLD)		DRAWN	DESIGNED	CHECKED	APPROVED	RELEASED
		SB.KURIYA	N.HARUBAYASHI	K. Aoto	K. Aoto	
		'04 5 14	'99 4 19	04.5.17	04.5.17	
DRAWING NO. EDC3-165294-01			PART NO. GT5-1PP-HU(A) (70)			
UNITS mm			CODE NO. CL755-0039-1-70		1/1	

TO