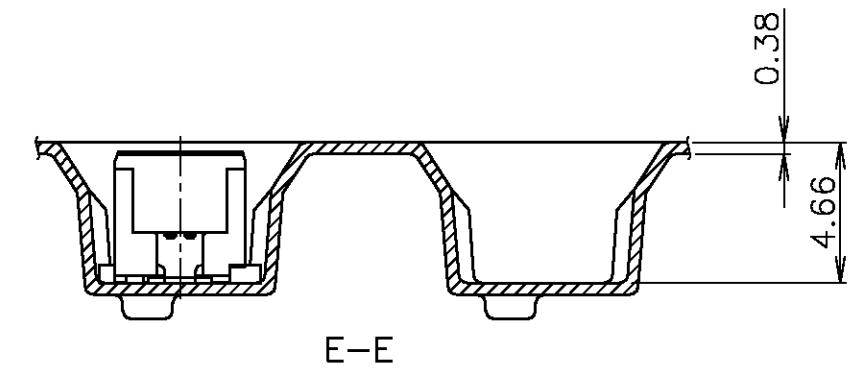
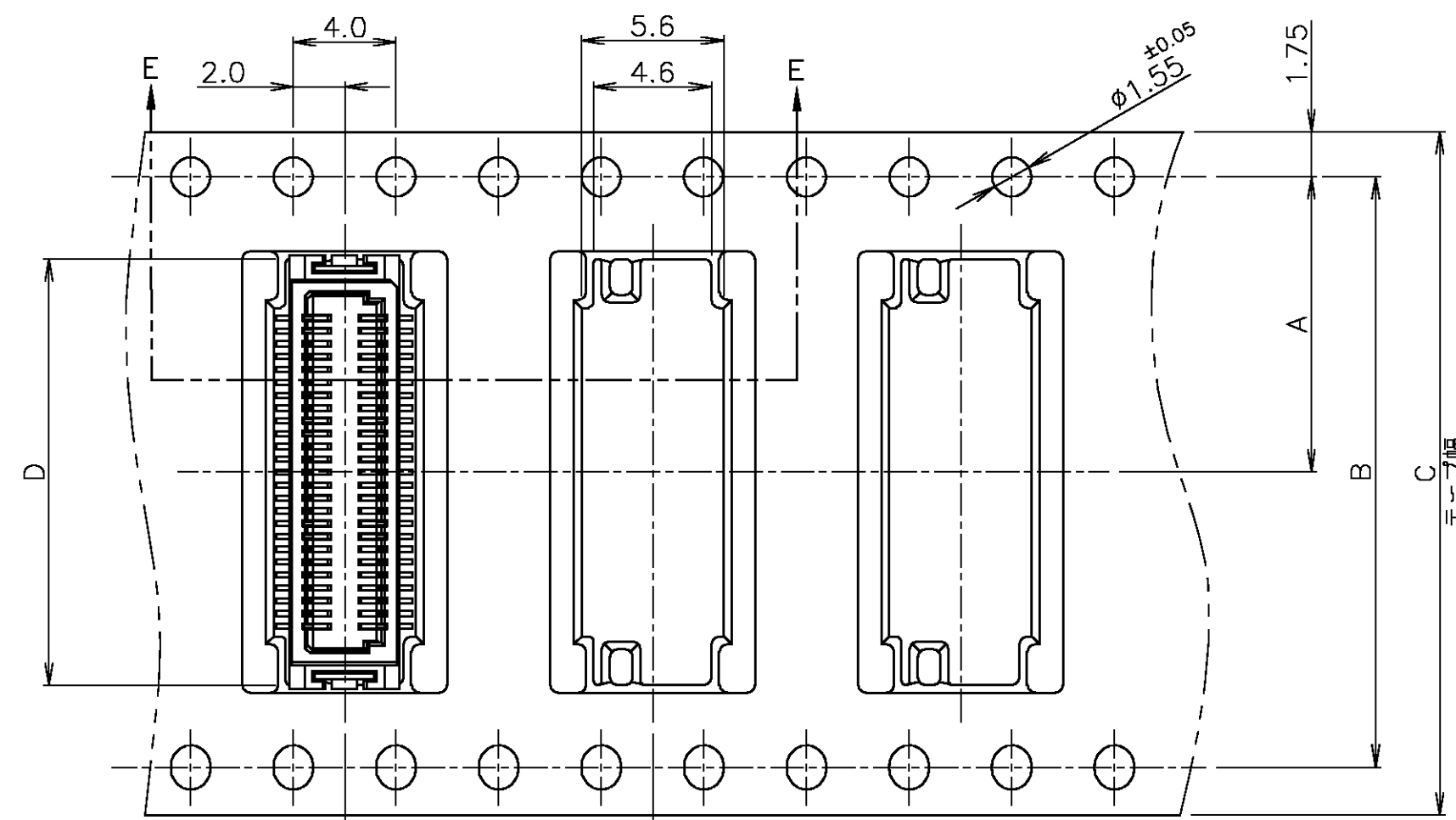


THIS DRAWING IS UNPUBLISHED. RELEASED FOR PUBLICATION JUN, 2004.
 © COPYRIGHT 2004 BY TYCO ELECTRONICS CORPORATION. ALL RIGHTS RESERVED.

LOC	DIST	REVISIONS			DATE	DWN	APVD
J		P	LTR	DESCRIPTION			
			0	RELEASED	FJB0-0647-04	25JUN04	Y.N H.M

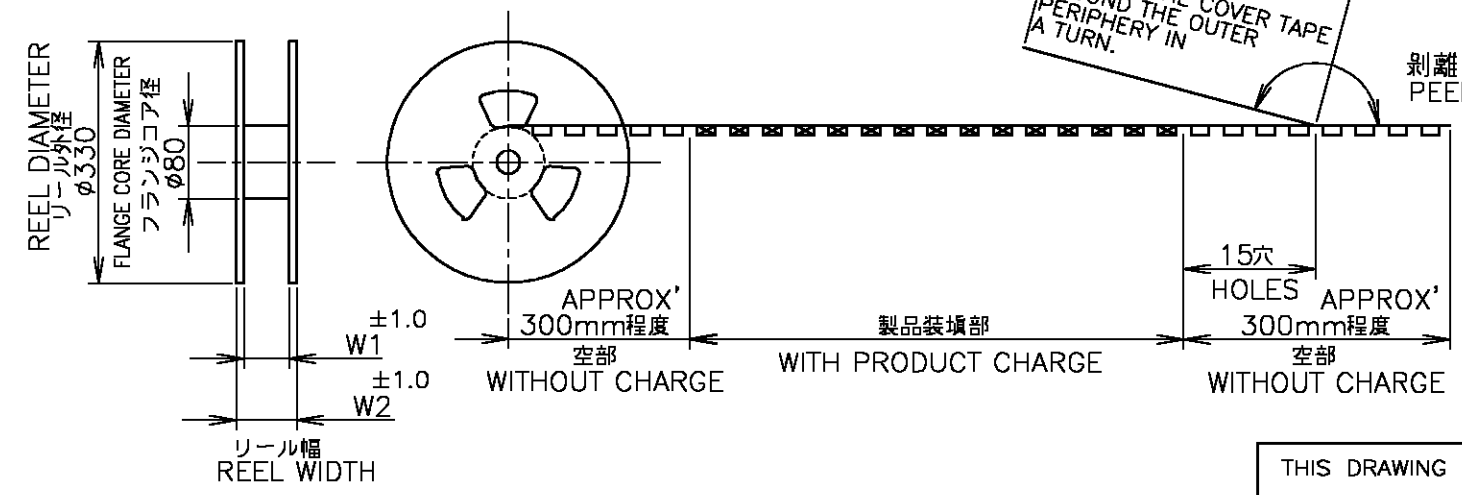


引出し方向
TOP OF REEL
→

カバーテープ
リーダー部
外周一部
WEEDING THE COVER TAPE
AROUND THE OUTER
PERIPHERY IN
A TURN.

剝離角度、165°~180°
PEELING ANGLE.

鉛フリー
LEAD FREE



INSTRUCTION SHEET 取扱説明書 411-5808	WIRE RANGE 包合電線断面積 -	INSULATION DIA 被覆外径 -
DWN Y.NAKAZAWA 25JUN04	Tyco Electronics AMP K.K. Kawasaki, Japan	
CHK T.KUSUHARA 25JUN04	NAME H.MURAMATSU 25JUN04	
PRODUCT SPEC 製品規格 108-5496	ON TAPING (EMBOSS) 0.5mm PITCH FINE MATE CONN. TAB ASSEMBLY WITH KEY V-TYPE H5.5	
APPLICATION SPEC 取付適用規格	SIZE A3	CAGE CODE 00779
WEIGHT	DRAWING NO 番号 C-1747254	RESTRICTED TO -
CUSTOMER DRAWING	SCALE 尺度 NTS	SHEET 1 OF 2
		REV 0

THIS DRAWING IS A CONTROLLED DOCUMENT.

DIMENSIONS: 単位: 筈 MM	TOLERANCES UNLESS OTHERWISE SPECIFIED: 一般公差
0 PLC	± 0.3
1 PLC	± 0.3
2 PLC	± 0.3
3 PLC	± 0.3
4 PLC	± 0.3
ANGLES	± 3'
MATERIAL 材料	FINISH 仕上

4

3

2

1

THIS DRAWING IS UNPUBLISHED. RELEASED FOR PUBLICATION JUN , 2004.
 © COPYRIGHT 2004 BY TYCO ELECTRONICS CORPORATION. ALL RIGHTS RESERVED.

LOC	DIST	REVISIONS 変更					
		P	LTR	DESCRIPTION	DATE	DWN	APVD
J			-	SEE SHEET 1	-	-	-

鉛フリー
LEAD FREE

	DIMENSIONS										QTY/ REEL	POS	CONNECTOR P/N	TAPING P/N
	W2	W1	E	D	C	B	A							
WITH BOSS	49.5	45.5	0.38	24.7	44	40.4	20.2	1000	80	5-1747255-3	5-1747254-3			
WITHOUT BOSS														

THIS DRAWING IS A CONTROLLED DOCUMENT.

DIMENSIONS: 単位: 筈 MM	TOLERANCES UNLESS OTHERWISE SPECIFIED: 一般公差
	0 PLC ± 0.2 1 PLC ± 0.2 2 PLC ± 0.2 3 PLC ± 0.2 4 PLC ± 0.2 ANGLES ± 3'
MATERIAL 材料	FINISH 仕上

INSTRUCTION SHEET 取扱説明書 411-5808	WIRE RANGE 包含電線断面積 -	INSULATION DIA 被覆外径 -
DWN	tyco Tyco Electronics AMP K.K. Kawasaki, Japan	
CHK	Electronics	
APVD	NAME 名称 ON TAPING (EMBOSS) 0.5mm PITCH FINE MATE CONN. TAB ASSEMBLY V-TYPE (H5.5)	
PRODUCT SPEC 製品規格 108-5496	SIZE A3	CAGE CODE 00779
APPLICATION SPEC 取付適用規格	DRAWING NO 番号 C-1747254	
WEIGHT	RESTRICTED TO 番号 -	
CUSTOMER DRAWING	SCALE 尺度 NTS	SHEET 2 OF 2
		REV 0